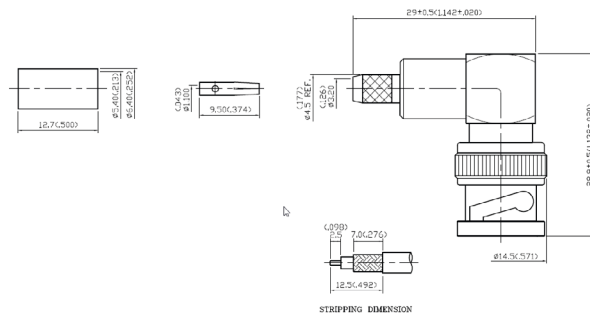
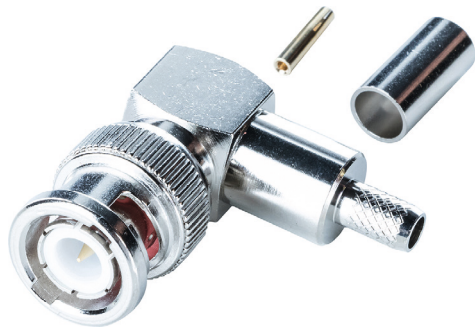


# HF Connectors



## Male Connector BNC 50 Ω, angled



### SPECIFICATION:

Housing Material	Brass/Nickel-plated
Series	BNC
Frequency	4 GHz
Gender	Male
Insulation material	Teflon
Impedance	50 Ω
CAT Catalogue Description	2Crimp Ferrule - Brass, Nickel-pated - Gasket - Rubber, Red - Washer - Brass, Nickel-plated - Spring Washer - Steel, Nickel-plated - Chassis - Brass, Nickel plated
Connector Design	angled
Connection, attachment	Crimp 1.8 mm
Connection, shield	Crimp 5.5 mm
Cable type	RG-58U
Contacts	gold-plated/Brass

### PRODUCT RANGE:

Art. Nr.

RND 205-00469