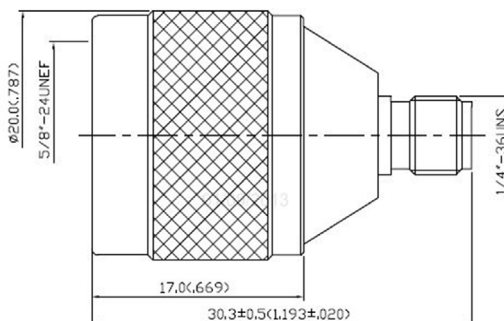


# HF Adapters and Terminators



## Adapter SMA to N, Female / Male, straight, 50 Ω



### SPECIFICATION:

Housing Material	Brass/Nickel-plated
Connection A	SMA
Connection B	N
Frequency	11 GHz
Impedance	50 Ω
Insulation material	Teflon
Gender	Female / Male
CAT Catalogue Description 2	Washer - Brass - Gasket - Silicone, Red
Connector Design	straight
Contacts	Beryllium Copper/gold-plated

### PRODUCT RANGE:

Art. Nr.

RND 205-00457