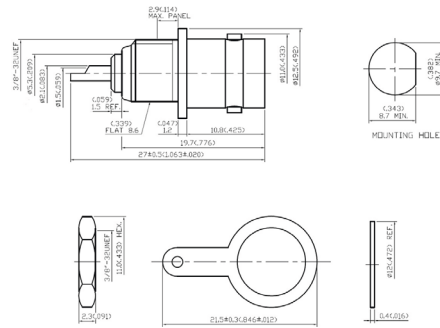
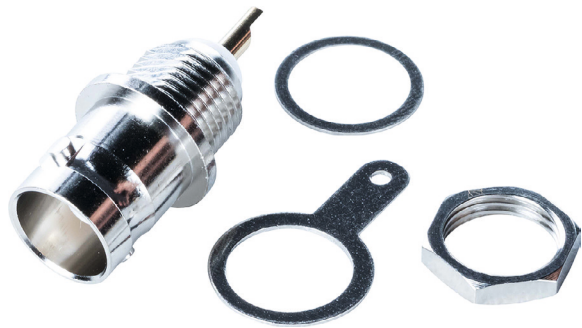


HF Connectors



Female Connector BNC 75 Ω, straight



SPECIFICATION:

Mounting	Panel mount
Housing Material	Brass/Nickel-plated
Series	BNC
Frequency	1 GHz
Gender	Female
Insulation material	Teflon
Impedance	75 Ω
CAT Catalogue Description 2	Nut - Brass, Nickel-plated - Washer - Brass, Nickel-plated - Grounding tab - Brass, Nickel-plated
Connector Design	straight
Connection, attachment	Solder
Contacts	gold-plated/Brass

PRODUCT RANGE:

Art. Nr.
RND 205-00439