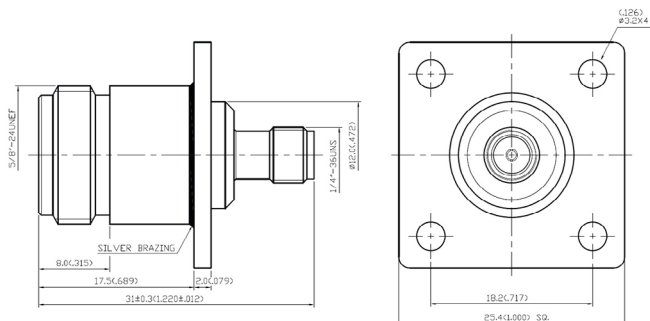


# HF Adapters and Terminators



## Adapter SMA to N, Female / Female, straight, 50 Ω



### SPECIFICATION:

Housing Material	Brass/Nickel-plated
Mounting	Panel mount
Connection A	SMA
Connection B	N
Frequency	11 GHz
Impedance	50 Ω
Insulation material	Teflon
Gender	Female / Female
CAT Catalogue Description 2	Chassis - Brass, Nickel-plated - Square Flange - Brass, Nickel-plated
Connector Design	straight
Contacts	gold-plated/Brass

### PRODUCT RANGE:

Art. Nr.

RND 205-00427