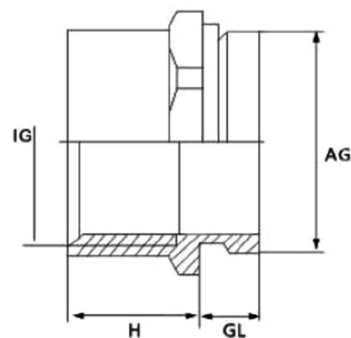


# PG Expansion Adapters

Brass, Sold by piece



## FEATURES:

Includes 1 metric expansion adapter + locknut + o-ring

IP54 protection rating (IP68 with o-ring assembled)

NBR sealing material

## SPECIFICATION:

Colour	silver
Material	Brass, nickel-plated
Temperature range	-40...+100 °C

## PRODUCT RANGE:

Art. Nr.	External thread (IG)	Internal thread (AG)	Spanner size	GL	H	AG	Hole $\phi$
RND 465-00430	PG9	PG7	18 mm	5 mm	10.5 mm	12.5 mm	12.5...12.8 mm
RND 465-00431	PG11	PG9	21 mm	6 mm	12.5 mm	15.2 mm	15.2...15.5 mm
RND 465-00432	PG13.5	PG11	23 mm	6 mm	12.5 mm	18.6 mm	18.6...18.9 mm