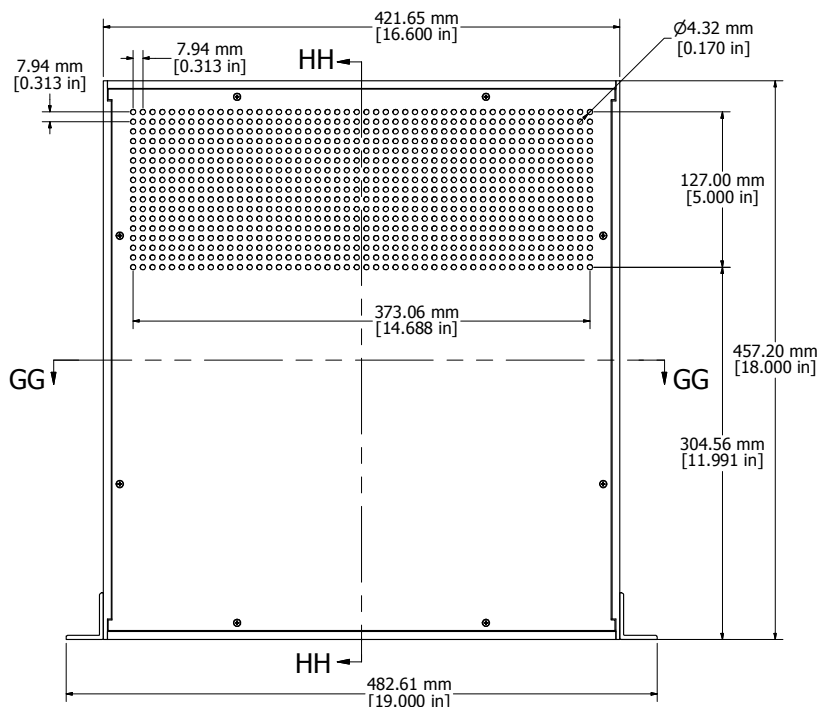
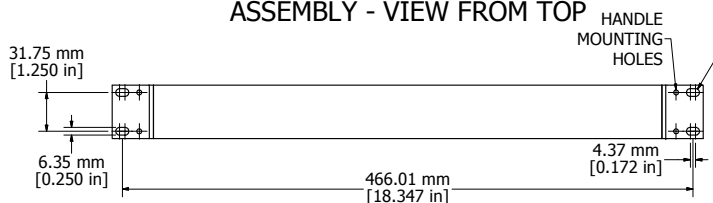


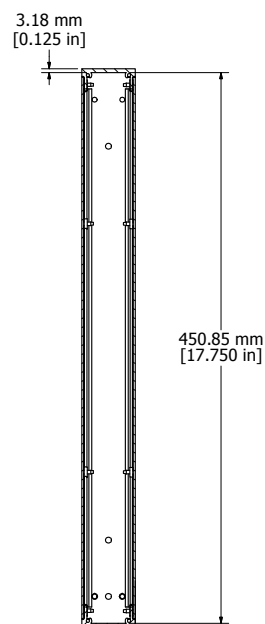
SECTION GG-GG



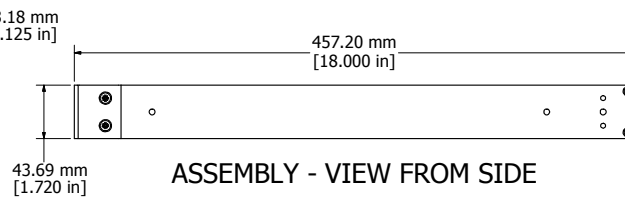
ASSEMBLY - VIEW FROM TOP



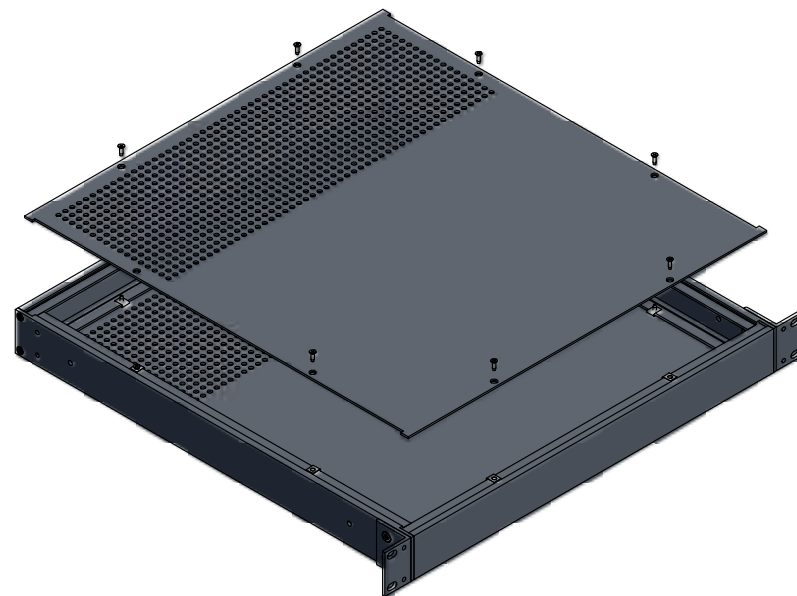
ASSEMBLY - VIEW FROM FRONT



SECTION HH-HH



ASSEMBLY - VIEW FROM SIDE



| RM1U1918VBK | |
|---|------------|
| Extruded Aluminum Frame - Type 6063 | |
| 2 Panels - .064" Aluminum (5052-H32) Powder Coat (RAL 7032) | |
| 2 Mounting Brackets - .125" Aluminum | |
| 16 Screws - Flat Head 4-40 x 3/8" | |
| 8 Screws - Counter Sunk Head 6-32 x 3/8" | |
| 4 Screws - Counter Sunk Head 10-32 x 3/8" | |
| 16 Nuts - #4 Speed Nuts | |
| Four Self Adhesive Rubber Feet - 1421T3 | |
| ACCESSORIES | |
| PULL HANDLES | 1427B2BK |
| REAR BRACKET KIT | RM1U18BRKT |

**HAMMOND
MANUFACTURING™**

RM1U1918VBK

www.hammondmfg.com

Enclosures can be Factory Modified (Milling, Drilling, Printing etc.)
 Contact Factory mjm@hammondmfg.com for quotes
 Solid models of this enclosure available in STEP or IGES.