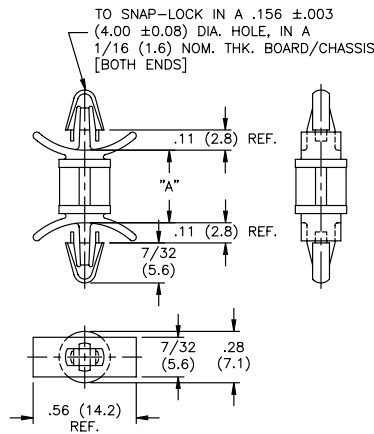
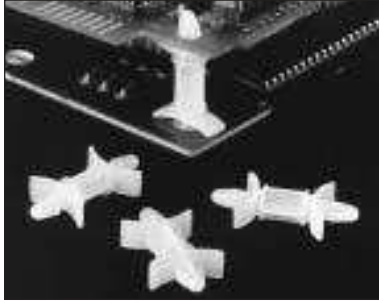


CIRCUIT BOARD HARDWARE

A

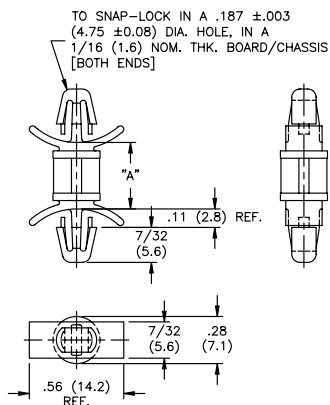
DLCBS Dual Locking Circuit Board Support



Mat'l: Nylon 6/6, RMS-01 Color: Natural Part Number	Mat'l: Flame Ret. Nyl. 6/6,RMS-19 Color: Natural Part Number	Standard Pack: 1,000 per bag "A" ± .015 (0.4)
DLCBS-3-01	DLCBS-3-19	3/16 (4.8)
DLCBS-4-01	DLCBS-4-19	1/4 (6.4)
DLCBS-6-01	DLCBS-6-19	3/8 (9.5)
DLCBS-8-01	DLCBS-8-19	1/2 (12.7)
DLCBS-10-01	DLCBS-10-19	5/8 (15.9)
DLCBS-12-01	DLCBS-12-19	3/4 (19.1)
DLCBS-14-01	DLCBS-14-19	7/8 (22.2)

"Impact Modified" Nylon 6/6, RMS-73 material available by special order. To order, replace -01 with -73.

DLCBS-2 Dual Locking Circuit Board Support

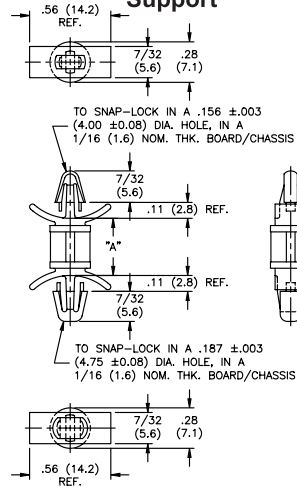


Material: Nylon 6/6, RMS-01
Color: Natural

Part Number	Standard Pack: 1,000 per bag "A" ± .015 (0.4)
DLCBS2-3-01	3/16 (4.8)
DLCBS2-4-01	1/4 (6.4)
DLCBS2-6-01	3/8 (9.5)
DLCBS2-8-01	1/2 (12.7)
DLCBS2-10-01	5/8 (15.9)
DLCBS2-12-01	3/4 (19.1)
DLCBS2-14-01	7/8 (22.2)

Part also available in V-0 material as a standard. To order, replace -01 with -19
"Impact Modified" Nylon 6/6, RMS-73 material available by special order. To order, replace -01 with -73.

DLCBS-3 Dual Locking Circuit Board Support

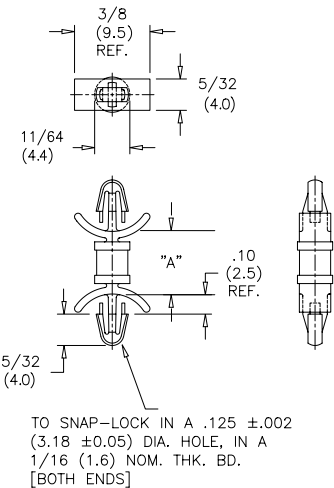


Material: Nylon 6/6, RMS-01
Color: Natural

Part Number	Standard Pack: 1,000 per bag "A" ± .015 (0.4)
DLCBS3-3-01	3/16 (4.8)
DLCBS3-4-01	1/4 (6.4)
DLCBS3-6-01	3/8 (9.5)
DLCBS3-8-01	1/2 (12.7)
DLCBS3-10-01	5/8 (15.9)
DLCBS3-12-01	3/4 (19.1)
DLCBS3-14-01	7/8 (22.2)

Part also available in V-0 material as a standard. To order, replace -01 with -19.
"Impact Modified" Nylon 6/6, RMS-73 material available by special order. To order, replace -01 with -73.

DLCBSM Dual Locking Circuit Board Support - Mini

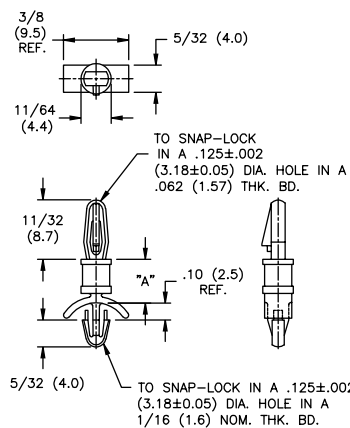


Material: Nylon 6/6, RMS-01
Color: Natural

Part Number	Standard Pack: 1,000 per bag "A" ± .015 (0.4)
DLCBSM-3-01	3/16 (4.8)
DLCBSM-4-01	1/4 (6.4)
DLCBSM-5-01	5/16 (7.9)
DLCBSM-6-01	3/8 (9.5)
DLCBSM-7-01	7/16 (11.1)
DLCBSM-8-01	1/2 (12.7)
DLCBSM-9-01	9/16 (14.3)
DLCBSM-10-01	5/8 (15.9)

Part available in V-0 material by special order. To order, replace -01 with -19.

LCBSM Locking Circuit Board Support, Mini



Material: Nylon 6/6, RMS-01
Color: Natural

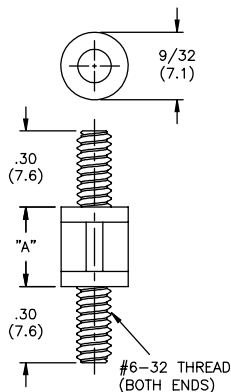
Part Number	Standard Pack: 1,000 per bag "A" ± .015 (0.4)
LCBSM-2-01	1/8 (3.2)
LCBSM-3-01	3/16 (4.8)
LCBSM-4-01	1/4 (6.4)
LCBSM-5-01	5/16 (7.9)
LCBSM-6-01	3/8 (9.5)
LCBSM-7-01	7/16 (11.1)
LCBSM-8-01	1/2 (12.7)
LCBSM-9-01	9/16 (14.3)
LCBSM-10-01	5/8 (15.9)

Part available in V-0 material by special order. To order, replace -01 with -19.

A

CBS-TMM

Circuit Board Support, Threaded Male-Male

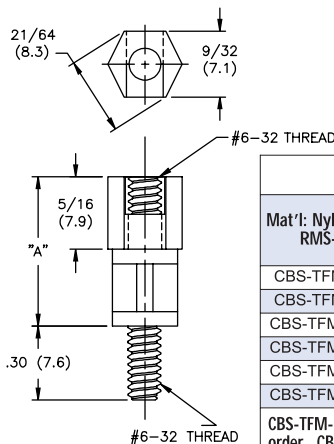


Part Number		Standard Pack: 1000 per bag
Mat'l: Nylon 6/6, RMS-01 Color: Natural	Mat'l: Flame Retardant Nylon, RMS-19 Color: Natural	A ± .015 (0.4)
CBS-TMM-4-01	CBS-TMM-4-19	1/4 (6.4)
CBS-TMM-6-01	CBS-TMM-6-19	3/8 (9.5)
CBS-TMM-8-01	CBS-TMM-8-19	1/2 (12.7)
CBS-TMM-10-01	CBS-TMM-10-19	5/8 (15.9)
CBS-TMM-12-01	CBS-TMM-12-19	3/4 (19.1)
CBS-TMM-14-01	CBS-TMM-14-19	7/8 (22.2)
CBS-TMM-16-01	CBS-TMM-16-19	1 (25.4)

CBS-TMM-M4-XX-01 with M4 thread available by special order. CBS-TMM-M4-XX-01 available in V-0 material by special order. To order, replace -01 with -19.

CBS-TFM

Circuit Board Support, Threaded Female-Male

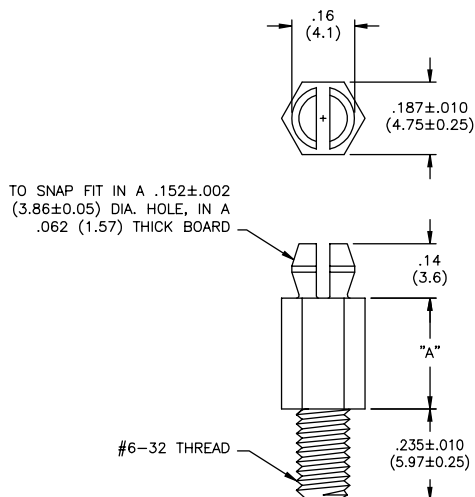
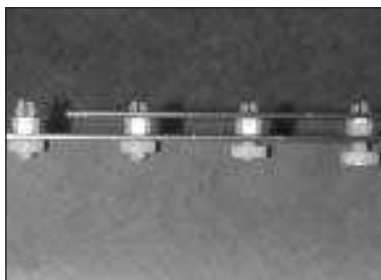


Part Number		Standard Pack: 1000 per bag
Mat'l: Nylon 6/6, RMS-01	Mat'l: Flame Retardant Nylon, RMS-19	"A" ± .015 (0.4)
CBS-TFM-6-01	CBS-TFM-6-19	3/8 (9.5)
CBS-TFM-8-01	CBS-TFM-8-19	1/2 (12.7)
CBS-TFM-10-01	CBS-TFM-10-19	5/8 (15.9)
CBS-TFM-12-01	CBS-TFM-12-19	3/4 (19.1)
CBS-TFM-14-01	CBS-TFM-14-19	7/8 (22.2)
CBS-TFM-16-01	CBS-TFM-16-19	1 (25.4)

CBS-TFM-M4-XX-01 with M4 thread available by special order. CBS-TFM-M4-XX-01 available in V-0 material by special order. To order, replace -01 with -19.

HMSP-TM

Hex Mini Support Post Threaded Male

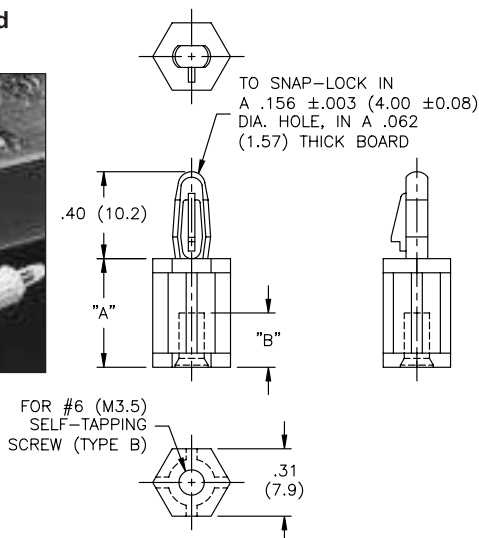


Material: Nylon 6/6, RMS-01 • Color: Natural

Part No.	Standard Pack: 1000 per bag
	"A" ± .015 (0.4)
HMSP-TM-2-01	1/8 (3.2)
HMSP-TM-3-01	3/16 (4.8)
HMSP-TM-4-01	1/4 (6.4)
HMSP-TM-6-01	3/8 (9.5)
HMSP-TM-8-01	1/2 (12.7)
HMSP-TM-10-01	5/8 (15.9)
HMSP-TM-12-01	3/4 (19.1)
HMSP-TM-14-01	7/8 (22.2)

TCBS

Screw Mount Circuit Board Support

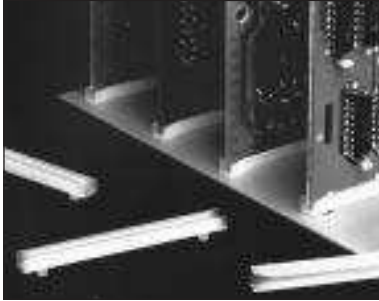


Material: Nylon 6/6, RMS-01 or Flame Retardant Nylon, RMS-19 / Color: Natural

Nylon Part No.	Flame Retardant Nylon Part No.	Standard Pack: 1000 per bag	
		"A" ± .015 (0.4)	Dim B ± .015 (0.4)
TCBS-4-01	TCBS-4-19	1/4 (6.4)	13/64 (5.2)
TCBS-6-01	TCBS-6-19	3/8 (9.5)	
TCBS-8-01	TCBS-8-19	1/2 (12.7)	
TCBS-10-01	TCBS-10-19	5/8 (15.9)	
TCBS-12-01	TCBS-12-19	3/4 (19.1)	
TCBS-14-01	TCBS-14-19	7/8 (22.2)	
TCBS-16-01	TCBS-16-19	1 (25.4)	
TCBS-18-01	TCBS-18-19	1 - 1/8 (28.6)	
TCBS-20-01	TCBS-20-19	1 - 1/4 (31.8)	
TCBS-22.5-01	TCBS-22.5-19	1 - 13/32 (35.7)	

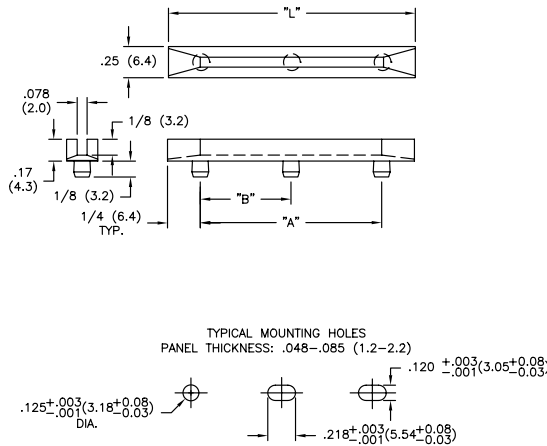
CARD GUIDES & PULLERS

RN Narrow Card Guide



Features

- Longer lengths available with 2 or 3 pins

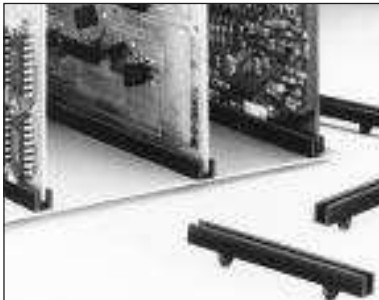


Material: Nylon 6/6, RMS-48
Color: Natural

Part No.	Standard Pack: 500 per bag		
	"L" ± .030 (0.8)	"A" ± .024 (0.6)	"B" ± .016 (0.4)
RN-250-2	2.5 (63.5)	2.0 (50.8)	—
RN-300-2	3.0 (76.2)	2.5 (63.5)	—
RN-350-2	3.5 (88.9)	3.0 (76.2)	—
RN-400-2	4.0 (101.6)	3.5 (88.9)	—
RN-450-2	4.5 (114.3)	4.0 (101.6)	—
RN-500-2	5.0 (127.0)	4.5 (114.3)	—
RN-550-2	5.5 (139.7)	5.0 (127.0)	—
RN-600-2	6.0 (152.4)	5.5 (139.7)	—
RN-650-2	6.5 (165.1)	6.0 (152.4)	—
RN-700-2	7.0 (177.8)	6.5 (165.1)	—
RN-750-2	7.5 (190.5)	7.0 (177.8)	—
RN-750-3	7.5 (190.5)	7.0 (177.8)	3.50 (88.9)
RN-800-2	8.0 (203.2)	7.5 (190.5)	—
RN-800-3	8.0 (203.2)	7.5 (190.5)	3.75 (95.3)
RN-850-2	8.5 (215.9)	8.0 (203.2)	—
RN-850-3	8.5 (215.9)	8.0 (203.2)	4.00 (101.6)

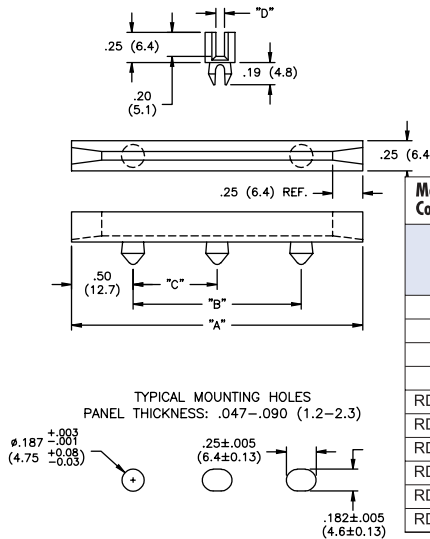
Flame Retardant Nylon, RMS-19, available by special order.

RDC Deep Channel Card Guide



Features

- Depth of slot is .200" (5.1mm)
- Designed for mounting end to end for longer lengths



Material: Glass filled Nylon, RMS-66 with U.L. rating of 94V-0
Color: Black

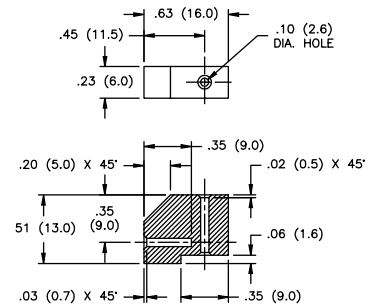
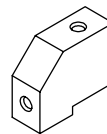
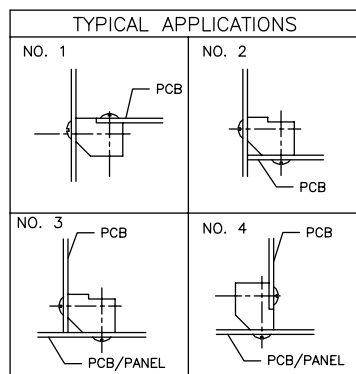
Part No.	Standard Pack: 500 per bag			
	"A" ± .062 (1.6)	"B" ± .032 (0.8)	"C" ± .015 (0.38)	"D" ± .005 (0.13)
RDC-250	2.5 (63.5)	1.5 (38.1)	—	—
RDC-450	4.5 (114.3)	3.5 (88.9)	—	.08 (2.0)
RDC-600	6.0 (152.4)	5.0 (127.0)	—	—
RDC-800	8.0 (203.2)	7.0 (177.8)	3.50 (88.9)	—
RDC-450-102	4.5 (114.3)	3.5 (88.9)	—	.102 (2.6)
RDC-600-102	6.0 (152.4)	5.0 (127.0)	—	—
RDC-800-102	8.0 (203.2)	7.0 (177.8)	3.50 (88.9)	—
RDC-450-130	4.5 (114.3)	3.5 (88.9)	—	.132 (3.35)
RDC-600-130	6.0 (152.4)	5.0 (127.0)	—	—
RDC-800-130	8.0 (203.2)	7.0 (177.8)	3.50 (88.9)	—

PCB-MB Mounting Block



Features

- Mounts with a #4 (Type B) (M-3) self-tapping screw



Material: Nylon 6/6, RMS-01
Color: Natural

Standard Pack: 1000 per bag
Flame Retardant Nylon, RMS-19 available by special order.