



Product List

Search Information

Home > Product Information > search

Electrical Terminals

HEAT SHRINKABLE-RING TERMINALS "HB"(BRAZED TYPE)

NYLON-HEAT SHRINKABLE-RING TERMINALS "HB"(BRAZED TYPE)

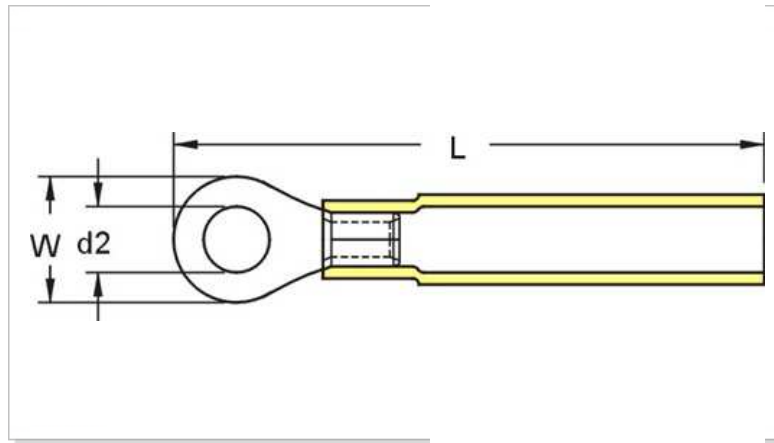
Lighting system

3C Connector

Automotive Connectors

Nylon Cable Ties

» PRODUCT SEARCH LIST



MAXIMUM ELECTRIC CURRENT:

A.W.G.	22	20	18	16	14	12	10	8
AMP.	9	12	17	18	30	35	50	70

MAXIMUM ELECTRICAL RATING: 600 VOLTS MAX.

INSULATION MATERIAL: HIGHT DENSITY PE.

INSULATION COLOR:

22-16A.W.G.: RED 16-14A.W.G.: BLUE
12-10A.W.G.: YELLOW 8A.W.G.: RED

TERMINAL MATERIAL: COPPER

Add_To_Inquiry

Send_Inquiry

Product in the inquiry

Product List (Total: 1 records)

Data Source Page NO.: [P.273-1](#),

WIRE RANGE A.W.G. mm ²	ITEM NO.	STUD SIZE		DIMENSION inch(mm)		INSULATED COLOR	Q'TY BOX
		d2		W	L		
16-14 A.W.G.	<input type="checkbox"/> RHBL2-4	#8	4.3	0.335 8.5	1.201 30.5	BLUE	1000

Data Source Page NO.: [P.273-1](#),