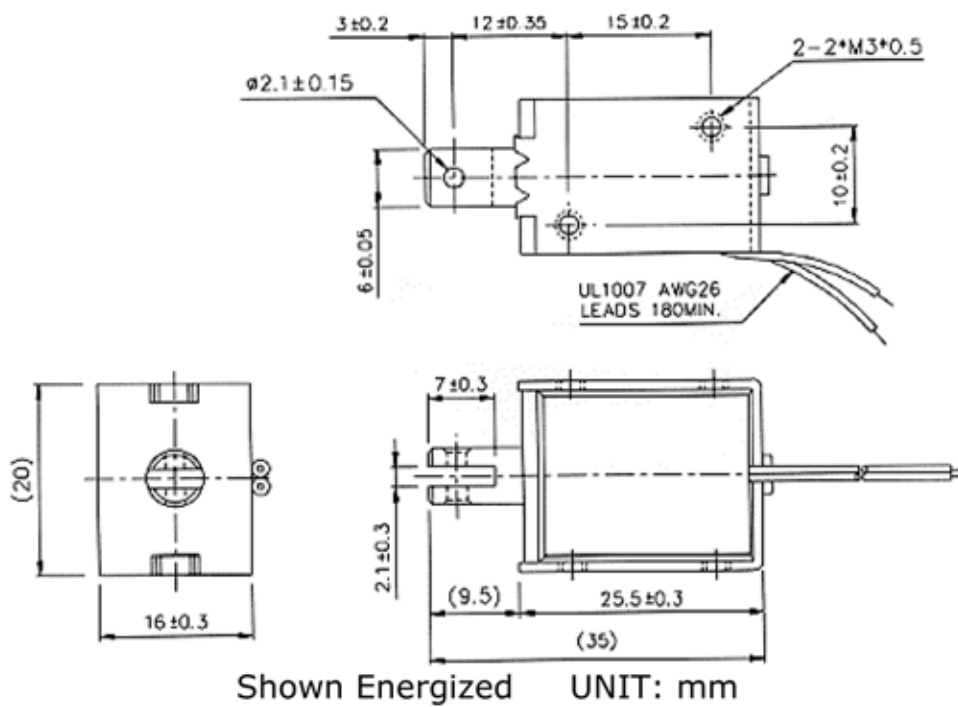
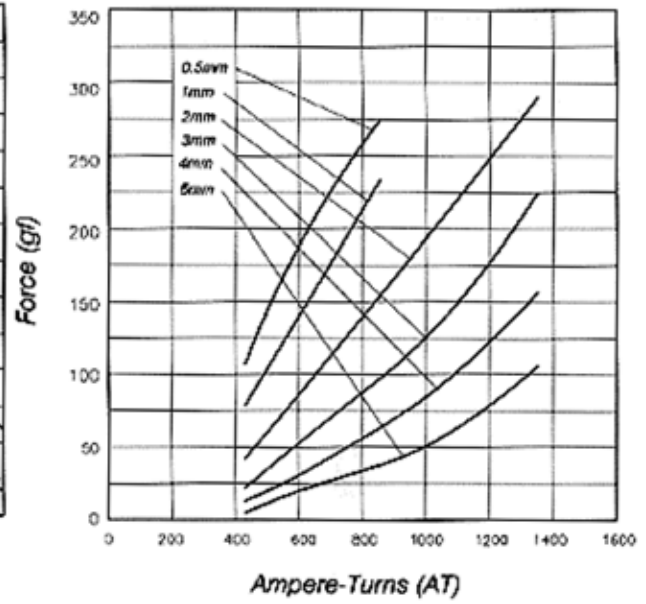
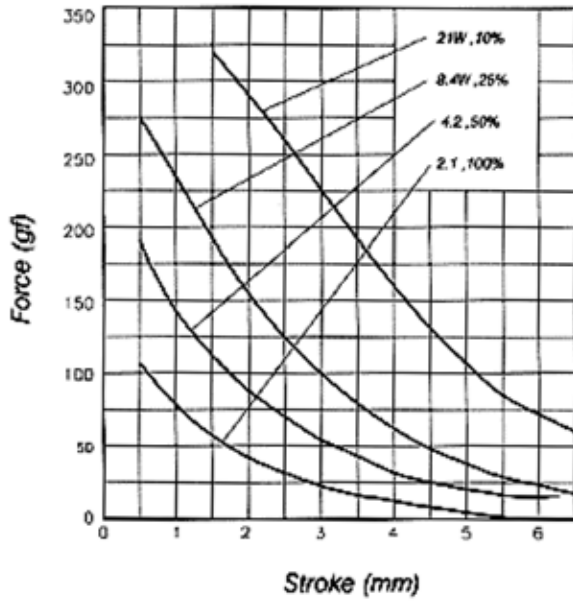


Open Frame Solenoid RG-O-0626L



Plunger Weight: 5g / Total Weight: 43g





COIL DATA

$$\text{Duty cycle(\%)} = \frac{\text{"ON" time}}{\text{"ON" time} + \text{"OFF" time}} \times 100\%$$

MAX. "on" time in seconds

Watts at 20°C

Ampere-turns at 20°C

Continuous (100%) Or less (50%) Or less (25%) Or less (10%)

∞ 55 19 3

2.1 4.2 8.4 21

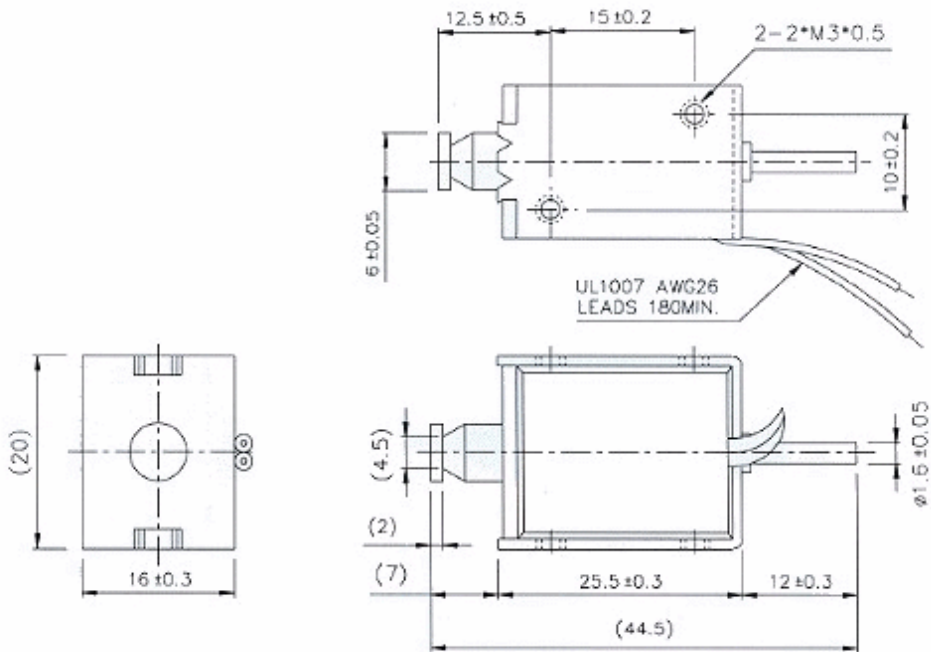
428 605 856 1353

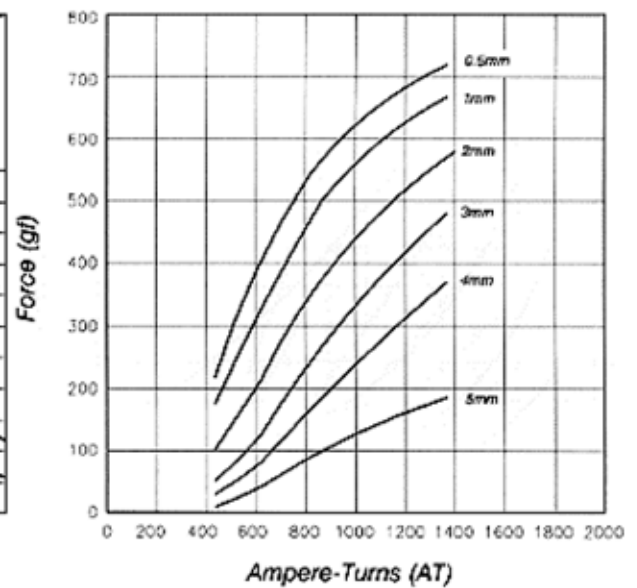
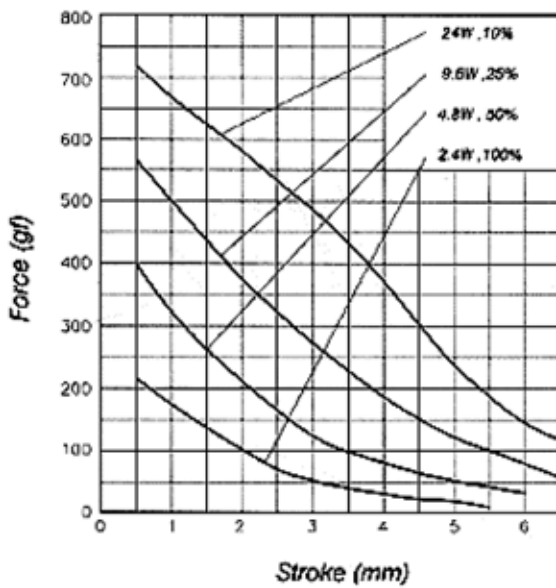
Type no.	Resistance (20°C) Ω ±10%	No. turns	Volts DC			
RG-O-0626L06AA	17.1	1220	6	8.5	12	19
RG-O-0626L12AA	68.6	2447	12	17	24	38
RG-O-0626L24AA	274	4886	24	34	48	76
RG-O-0626L48AA	1097	9782	48	68	96	152

Open Frame Solenoid RG-O-0626S



Plunger Weight: 5g / Total Weight: 43g





COIL DATA

Duty cycle(%) = $\frac{\text{"ON" time}}{\text{"ON" time} + \text{"OFF" time}} \times 100\%$ Continuous Or less Or less Or less
 (100%) (50%) (25%) (10%)

MAX. "on" time in seconds

∞ 55 19 3

Watts at 20°C

2.4 4.8 9.6 24

Ampere-turns at 20°C

432 615 864 1368

Type no.	Resistance (20°C) Ω ±10%	No. turns	Volts DC			
			6	12	24	48
RG-O-0630S06AA	15	1080	8.5	12	24	48
RG-O-0630S12AA	60	2160	17	24	48	96
RG-O-0630S24AA	240	4320	34	48	96	192
RG-O-0630S48AA	960	8640	68	96	192	384