

Overview ..... 0

Cabinets ..... 1

Wall mounted cases ..... 2

Accessories for cabinets and wall mounted cases .... 3

Climate control .... 4

**Desk-top cases .... 5**

Subracks/  
19" chassis ..... 6

Front panels,  
plug-in units ..... 7

Systems ..... 8

Power supply  
units ..... 9

Backplanes ..... 10

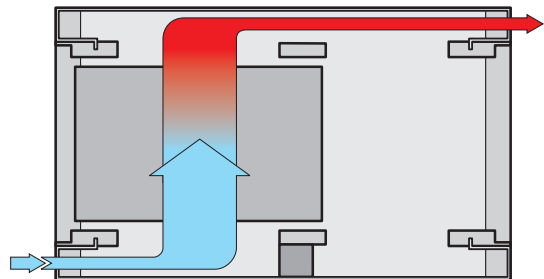
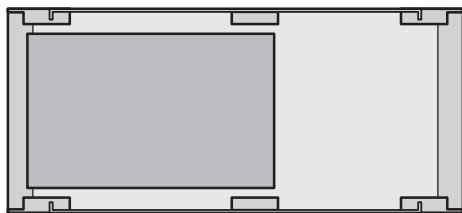
Connectors, front  
panel component  
system ..... 11

Appendix ..... 12

**Desk-top cases - *ratiopacPRO***



0680002



06801005

**ratiopacPRO**  
designed for insertion/extractor handles conforming to IEC 60297-3-102 and IEEE 1101.10 for CompactPCI and VME64x applications

**ratiopacPRO air**  
designed for insertion/extractor handles conforming to IEC 60297-3-102 and IEEE 1101.10 for CompactPCI and VME64x applications 1 U extra for ventilation (1/2 U top, 1/2 U bottom)

**Standards**

- Internal and external dimensions in accordance with:  
IEC 60297-3-101 / IEEE 1101.1  
IEC 60297-3-102 / IEEE 1101.10/11
- Type of protection IP 20 in accordance with IEC 60529
- Protective grounding connections in accordance with:  
EN 50178 / VDE 0160  
EN 60950 / VDE 0805  
EN 61010-1 / VDE 0411 part 1  
EN 61010-1A2 / VDE 95373 part 15
- EMC test in accordance with VG 95373 part 15

 **Downloads and further important information can be found on the Internet under [www.schroff.biz](http://www.schroff.biz)**

## Desk-top cases - *ratiopacPRO*

Overview . . . . 5.2

The universal case with 19" compatible dimensions  
e.g. for CompactPCI, VME64x and other applications

- Basic versions include basic shielding, additional EMC shielding retrofittable
- *ratiopacPRO* air when increased heat dissipation is needed
- Symmetrical design, identical front and rear (board section for *ratiopacPRO* and *ratiopacPRO* air is identical)
- Simple conversion from desk-top to 19" rack-mounted case and vice versa
- No visible screws; cladding parts removable without tools



06800005

### *ratiopacPRO*

- Height from 2 U to 6 U
- Cases with bezels, front handles or 19" brackets
- Complete case with trim and pre-mounted components; basic versions include basic shielding, additional EMC shielding retrofittable
- Tower cases
- Small case for horizontal board mounting



06800006

### *ratiopacPRO* air

- Height from 4 U to 7 U
- *ratiopacPRO* air with additional 1 U height for ventilation
- Cases with bezels, front handles or 19" brackets
- Complete case with trim and pre-mounted components; Basic versions include basic shielding, additional EMC shielding retrofittable
- Small case for horizontal board mounting



30407004

### ServicePLUS from page 5.110

- e.g. modifications (special colours or sizes)
- e.g. custom solutions (cut-outs)
- e.g. assembly service from 1 piece

[www.schroff.biz/serviceplus/](http://www.schroff.biz/serviceplus/)

### *ratiopacPRO*

Cases . . . . .	5.4
Complete cases . . .	5.6
Dimensions . . . . .	5.7
Tower cases . . . . .	5.8
Small cases . . . . .	5.9
<b><i>ratiopacPRO</i> air</b>	
Cases . . . . .	5.10
Complete cases . . .	5.12
Dimensions . . . . .	5.13
Radial fan units . . .	5.14

EMC gasketing . . . 5.15

### Accessories

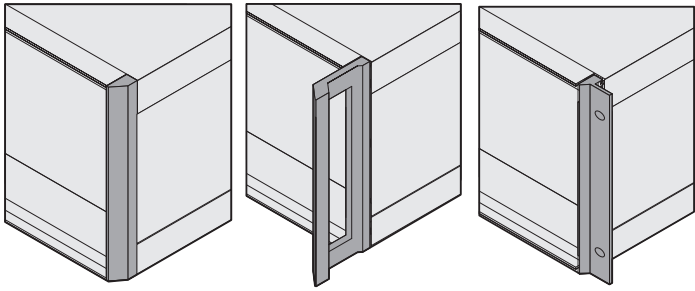
Front panels . . . . .	5.17
Rear panels . . . . .	5.18
Feet . . . . .	5.19
Air filters . . . . .	5.19
GND/earthing kit . .	5.20
Handles for 19" bracket . . . . .	5.20
Front handles . . . . .	5.21
19" brackets . . . . .	5.21
Cable holders . . . . .	5.22
<b>Compartment seals . . . . .</b>	<b>5.22</b>
Strap handles . . . . .	5.23
Tip-up carrying handles . . . . .	5.24
Assembly kit . . . . .	5.25
Mounting position of horizontal rails . . . . .	5.26
Horizontal rails . . . . .	5.28
Divider plates . . . . .	5.31
Threaded inserts, perforated strips, insulation strips . . . . .	5.32
Z-rails, perforated rails . . . . .	5.33
Mounting plates . . . . .	5.34
Horizontal board assembly . . . . .	5.35
Combined mounting . . . . .	5.36
Guide rails and ESD clips . . . . .	5.37

ServicePLUS . . . 5.110



# Desk-top cases - *ratiopacPRO*

## ratiopacPRO case

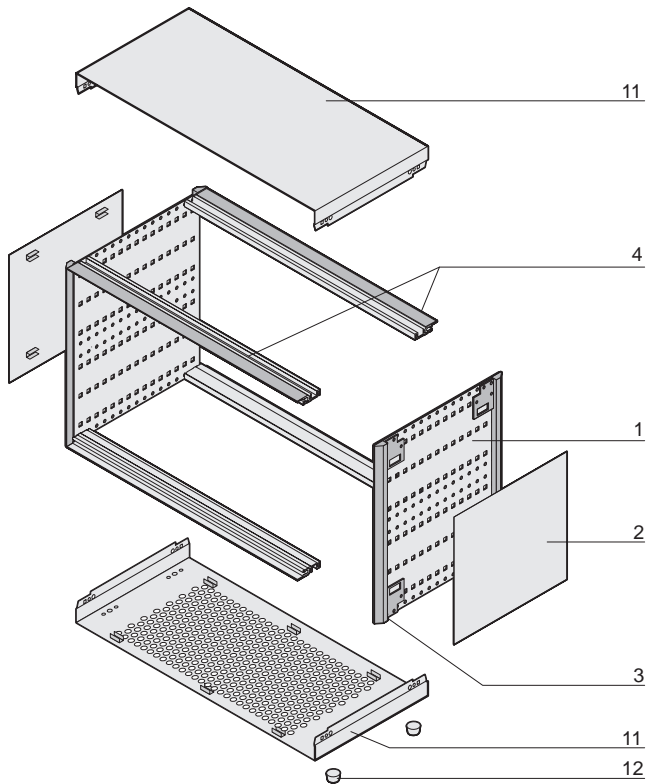


Cover strip  
3a

Front handle  
3b

19" mounting bracket  
3c

- Case for individual expansion, or to house 19" standard components e.g. with mounting plate
- Unshielded (EMC shielding retrofittable)
- Symmetrical design, identical front and rear side
- Available in three versions:
  - with cover strips
  - with front handles
  - with 19" mounting bracket
- For board depth 160 mm, 220 mm, 280 mm and 340 mm



### Delivery comprises (in kit form)

Item	Qty	Description
1	2	Side panel, Al, 2 mm, chromated
2	2	Side plate, Al, 1 mm, visible surface powder-coated, RAL 9006
3	2	Rear trim, Zn die-cast, powder-coated, RAL 7016
3a	2	Cover strip, Zn die-cast, powder-coated, RAL 7016
3b	2	Front handle, Al die-cast, powder-coated, RAL 7016
3c	2	19" mounting angle, Al die-cast, powder-coated, RAL 7016
4	4	Horizontal rail, type H-LD, Al, visible surface powder-coated, RAL 7016
11	2	Top cover and base plate, Al, 1 mm, internal surface conductive, visible surface powder-coated, RAL 9006, with GND/earthing connections, base plate with honeycomb grid ventilation
12	4	Case foot with anti-slip protection, UL 94 V-0, PC black
13	1	Assembly kit

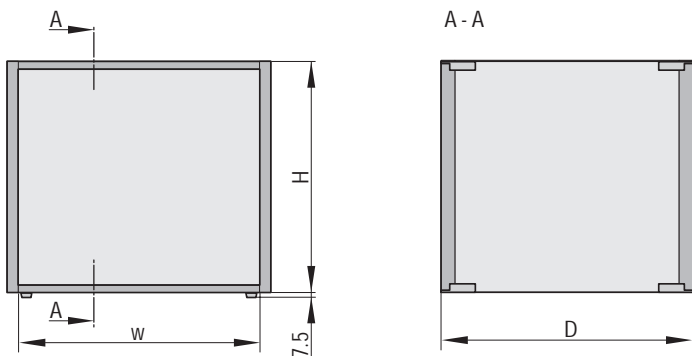
3a, 3b or 3c depending on selection

### Note

- Order information see following page



For further information [www.schroff.biz/oneclick](http://www.schroff.biz/oneclick)  
oneClick search code = Part no.



01802051



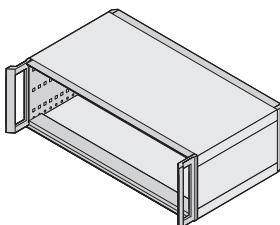
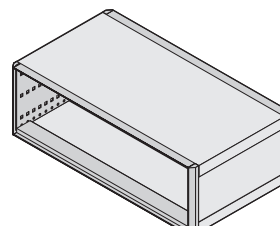
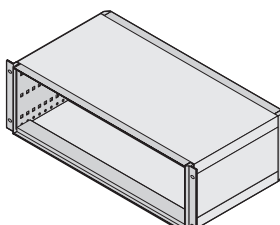
ServicePLUS see page 5.110

# Desk-top cases - *ratio*pacPRO

## ratio

pacPRO cases

### Order information

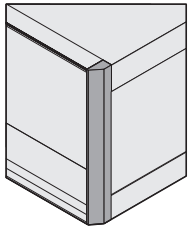
	Width w HP	Depth D mm	Case height H					
			2 U	3 U	4 U	5 U	6 U	
			Part no.	Part no.	Part no.	Part no.	Part no.	
						Side panel partitioning		
						(1 U-3 U-1U)	(3 U- 2 U)	
						1	3	
						3	2	
						1		
<b>with front handles</b>    RPPR6630	28	255.5		24571-702	24571-750	24572-213	24572-357	24571-798
	28	315.5		24571-705	24571-753	24572-216	24572-360	24571-801
	42	255.5		<b>24571-714</b>	24571-762	24572-225	24572-369	24571-810
	42	315.5		<b>24571-717</b>	24571-765	24572-228	24572-372	24571-813
	42	375.5		24571-718	24571-766	24572-229	24572-373	24571-814
	63	255.5		24571-726	24571-774	24572-237	24572-381	24571-822
	63	315.5		<b>24571-729</b>	24571-777	24572-240	24572-384	24571-825
	63	375.5		24571-730	24571-778	24572-241	24572-385	24571-826
	84	255.5		24571-738	24571-786	24572-249	24572-393	24571-834
	84	315.5		24571-741	24571-789	24572-252	24572-396	<b>24571-837</b>
	84	375.5		<b>24571-742</b>	<b>24571-790</b>	24572-253	24572-397	<b>24571-838</b>
	84	435.5		<b>24571-743</b>	<b>24571-791</b>	24572-254	24572-398	<b>24571-839</b>
84	495.5		<b>24571-744</b>	24571-792	24572-255	24572-399	24571-840	
<b>with cover strips</b>    RPPR6629	28	255.5	24572-500	24571-002	24571-050	24572-117	24572-261	24571-098
	28	315.5	24572-503	24571-005	24571-053	24572-120	24572-264	24571-101
	42	255.5	<b>24572-510</b>	24571-014	24571-062	24572-129	24572-273	24571-110
	42	315.5	<b>24572-513</b>	<b>24571-017</b>	24571-065	24572-132	24572-276	24571-113
	42	255.5	24572-514	24571-018	24571-066	24572-133	24572-277	24571-114
	63	255.5	24572-520	24571-026	24571-074	24572-141	24572-285	24571-122
	63	315.5	24572-523	24571-029	24571-077	24572-144	24572-288	24571-125
	63	375.5	24572-524	24571-030	24571-078	24572-145	24572-289	24571-126
	84	255.5	24572-530	24571-038	24571-086	24572-153	24572-297	24571-134
	84	315.5	<b>24572-533</b>	<b>24571-041</b>	24571-089	24572-156	24572-300	24571-137
	84	375.5	24572-534	<b>24571-042</b>	24571-090	24572-157	24572-301	<b>24571-138</b>
	84	435.5	24572-535	<b>24571-043</b>	<b>24571-091</b>	24572-158	24572-302	24571-139
84	495.5	24572-536	<b>24571-044</b>	24571-092	24572-159	24572-303	24571-140	
<b>with 19" mounting bracket</b>    RPPR6631	84	255.5	24572-570	<b>24571-438</b>	<b>24571-486</b>	24572-201	24572-345	24571-534
	84	315.5	<b>24572-573</b>	<b>24571-441</b>	24571-489	24572-204	24572-348	24571-537
	84	375.5	<b>24572-574</b>	<b>24571-442</b>	24571-490	24572-205	24572-349	<b>24571-538</b>
	84	435.5	<b>24572-575</b>	<b>24571-443</b>	24571-491	24572-206	24572-350	<b>24571-539</b>
	84	435.5	24572-576	24571-444	24571-492	24572-207	24572-351	<b>24571-540</b>

### Note

- Dimension drawings and mounting depths see page 5.7
- Components see page 5.15

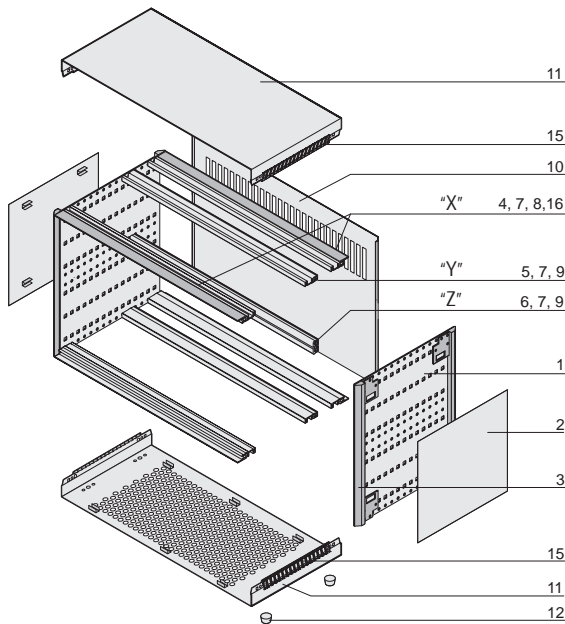
# Desk-top cases - *ratiopacPRO*

## ratiopacPRO complete cases

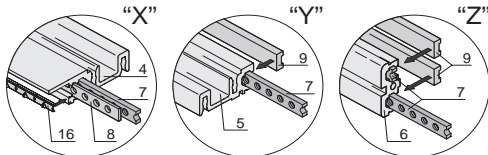


Bezel

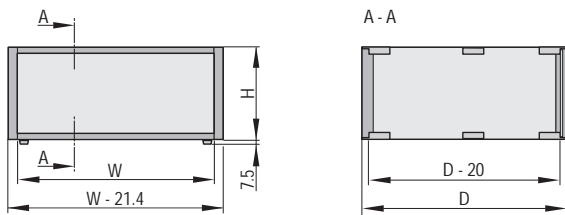
01805050



01802050

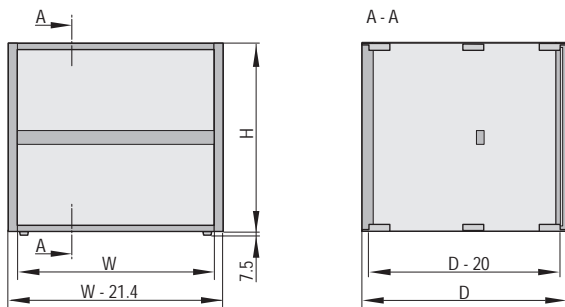


01808055



3 U

01808051



6 U

01808052

- Case with cover strip; with pre-mounted components for euroboards and backplane with insulation strip; no visible screws
- Symmetrical design, identical front and rear honeycomb grid ventilation in top cover and base plate
- Available in two versions:
  - unshielded (EMC shielding retrofittable)
  - with EMC shielding fitted

### Delivery comprises (in kit form)

Item	Qty		Description
	without EMC	with EMC	
1	2	2	Side panel, Al, 2 mm, chromated
2	2	2	Side plate, Al, 1 mm, visible surface RAL 9006
3	4	4	Cover, die-cast zinc, RAL 7016, pre-mounted on EMC version only
4	4	4	Horizontal rail, type H-LD, Al, visible surface RAL 7016
5	2	2	Horizontal rail centre (top/bottom), type H-ST, Al
6	1	1	Horizontal rail centre (on 6 U only), type ST, Al
7	6/8	6/8	3 U /6 U: threaded inserts, St, pre-mounted, for indirect backplane mounting with insulation strips
8	–	4	Perforated strip, Al, 1 mm, pre-mounted
9	4	4	Insulation strip, PBT UL 94 V-0
10	1	1	Rear panel with perforation, Al 2.5 mm
11	2	2	Top cover and base plate, Al, 1 mm, internal surface conductive, visible surface RAL 9006, with GND/earthing connection, base plate with honeycomb grid ventilation
12	4	4	Case foot with anti-slip protection, UL 94 V-0, PC, black
14	–	1	EMC support profile for side panel, mounted (kit)
15	–	4	EMC contact strip for cover plate, pre-mounted (kit)
16	–	4	EMC contact strip front panel - horizontal rails
17	1	1	Earthing kit, assembly kit

### Order information

Height H	Width w	Depth D	Unshielded	EMC shielded
			Part no.	Part no.
3 U	HP	mm		
3	28	255.5	<b>24572-001</b>	<b>24572-050</b>
3	42	255.5	<b>24572-002</b>	<b>24572-051</b>
3	42	315.5	<b>24572-003</b>	<b>24572-052</b>
3	63	315.5	<b>24572-004</b>	<b>24572-053</b>
3	84	315.5	<b>24572-005</b>	<b>24572-054</b>
3	84	375.5	<b>24572-006</b>	<b>24572-055</b>
3	84	435.5	<b>24572-007</b>	<b>24572-056</b>
6	42	315.5	<b>24572-015</b>	<b>24572-064</b>
6	63	315.5	<b>24572-016</b>	<b>24572-065</b>
6	84	315.5	<b>24572-017</b>	<b>24572-066</b>
6	84	375.5	<b>24572-018</b>	<b>24572-067</b>
6	84	435.5	<b>24572-019</b>	<b>24572-068</b>

### Note

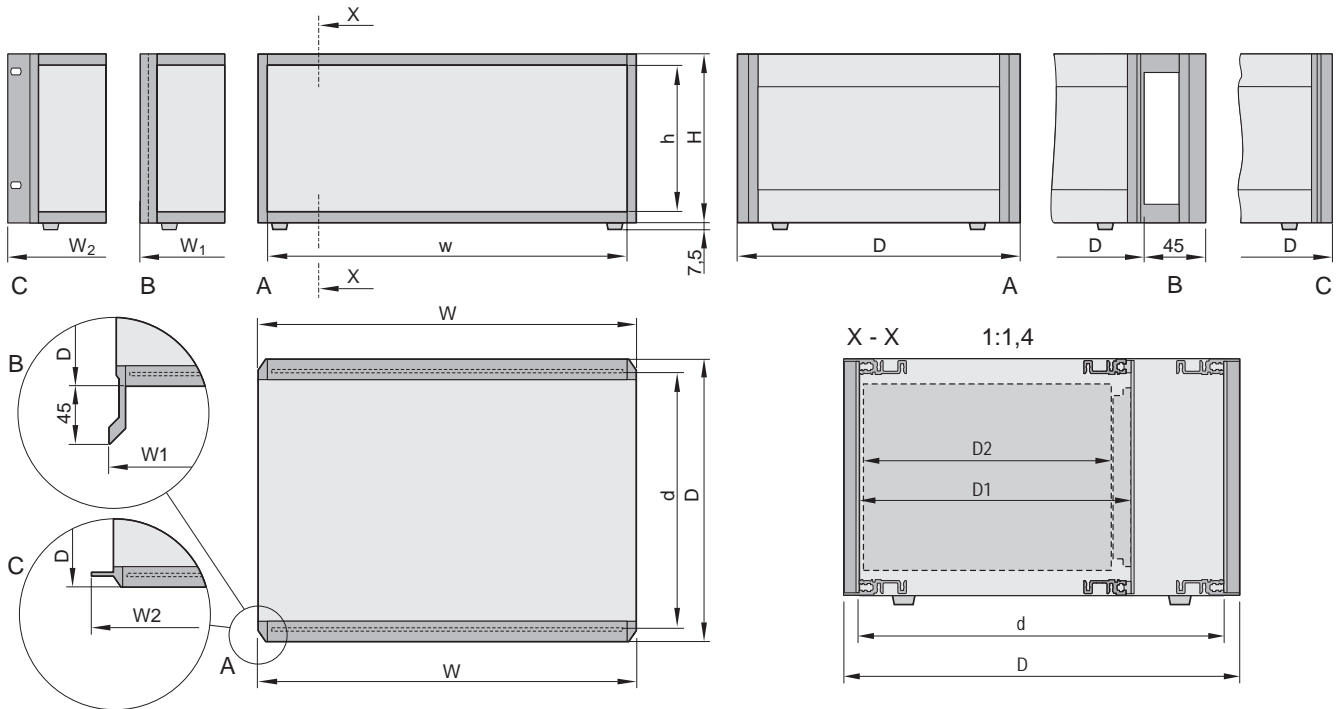
- Dimension drawings and mounting depths see page 5.7
- Components see page 5.15
- Guide rails from page 5.20
- Guide rails from page 5.37



ServicePLUS see page 5.110

# Desk-top cases - *ratiopac*PRO

## Dimension drawings ratiopacPRO



rpr6637

A = cover, B = front handle, C = 19" mounting bracket

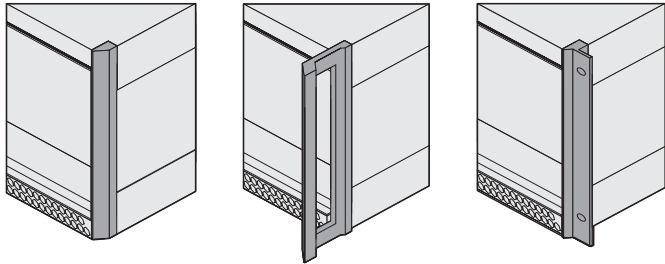
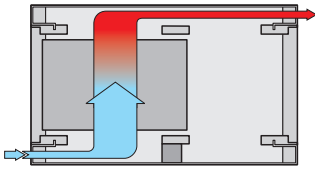
### Dimensions table ratiopacPRO

Height		Width						Depth			
in U	H in mm	h in mm	w in HP	W in mm	w1 in mm	w2 in mm	w in mm	D Total depth in mm	d Usable depth in mm	D1 Plug-in depth in mm	d2 Board depth in mm
2	88.10	67.90	28	164.42	177.62	198.12	142.82	255.5	235.5	175.5	160
			42	235.54	248.74	269.24	213.94			235.5	220
			63	342.42	355.42	375.92	320.62			175.5	160
			84	448.90	462.10	482.60	427.30			235.5	220
3	132.55	112.35	28	164.42	177.62	198.12	142.82	315.5	295.5	295.5	280
			42	235.54	248.74	269.24	213.94			175.5	160
			63	342.42	355.42	375.92	320.62			235.5	220
4	177.00	156.80	42	235.54	248.74	269.24	213.94	375.5	355.5	295.5	280
			63	342.42	355.42	375.92	320.62			355.5	340
			84	448.90	462.10	482.60	427.30			175.5	160
5	221.45	201.25	42	235.54	248.74	269.24	213.94	435.5	415.5	235.5	220
			63	342.42	355.42	375.92	320.62			295.5	280
			84	448.90	462.10	482.60	427.30			355.5	340
			42	235.54	248.74	269.24	213.94			175.5	160
6	265.90	245.70	63	342.42	355.42	375.92	320.62	495.5	475.5	235.5	220
			84	448.90	462.10	482.60	427.30			295.5	280
			42	235.54	248.74	269.24	213.94			355.5	340

Components mountable in 15 mm depth grid

# Desk-top cases - *ratiopac*PRO air

## ratiopacPRO air cases



Cover strip  
3a

Front handle  
3b

19" mounting bracket  
3c

06801005

01805055

- The case has 2 x 1/2 U clearance for ventilation
- Case for individual expansion, or to house 19" standard components e.g. with mounting plate
- Unshielded (EMC shielding retrofittable)
- Symmetrical design, identical front and rear side
- Available in three versions:
  - with cover strips
  - with front handles
  - with 19" mounting bracket

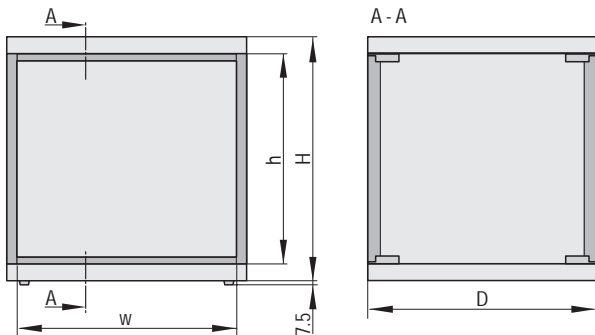
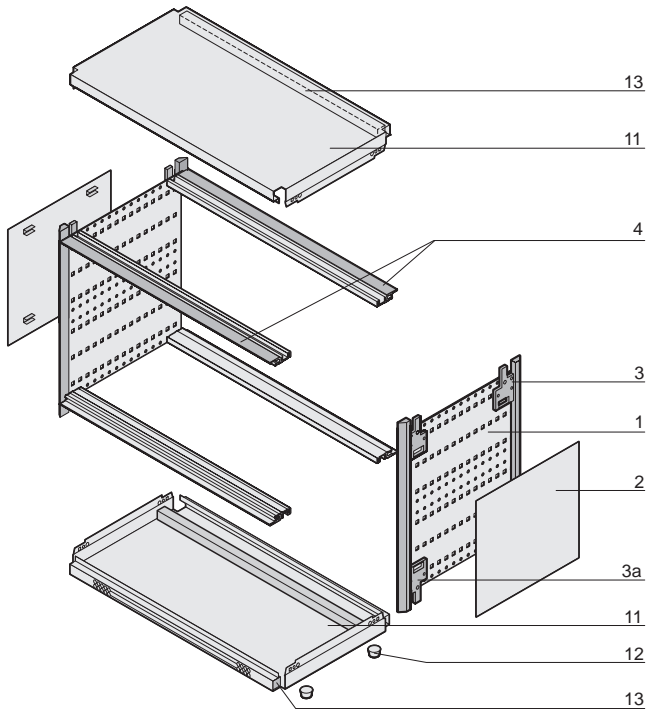
### Delivery comprises (in kit form)

Item	Qty	Description
1	2	Side panel, Al, 2 mm, chromated
2	2	Side plate, Al, 1 mm, visible surface powder-coated, RAL 9006
3	2	Rear trim, Zn die-cast, powder-coated, RAL 7016
3a	2	Cover strip, Zn die-cast, powder-coated, RAL 7016
3b	2	Front handle, Al die-cast, powder-coated, RAL 7016
3c	2	19" mounting angle, Al die-cast, powder-coated, RAL 7016
4	4	Horizontal rail, type H-LD, Al, visible surface powder-coated, RAL 7016
11	2	1 Top cover and base plate, Al, 1 mm, internal surface conductive, visible surface powder-coated, RAL 9006, with GND/earthing connection, top cover and base plate with ventilation comb
12	4	Case foot with anti-slip protection, UL 94 V-0, PC, black
13	2	Air filter
14	1	Assembly kit

3a, 3b or 3c depending on selection

### Note

- Order information see following page



01802053



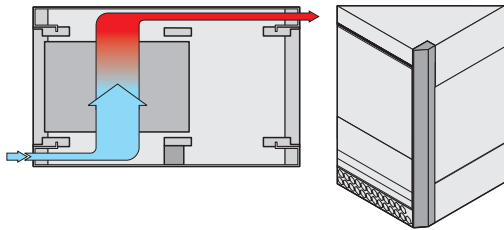
ServicePLUS see page 5.110



For further information [www.schroff.biz/oneclick](http://www.schroff.biz/oneclick)  
oneClick search code = Part no.

# Desk-top cases - *ratiopacPRO* air

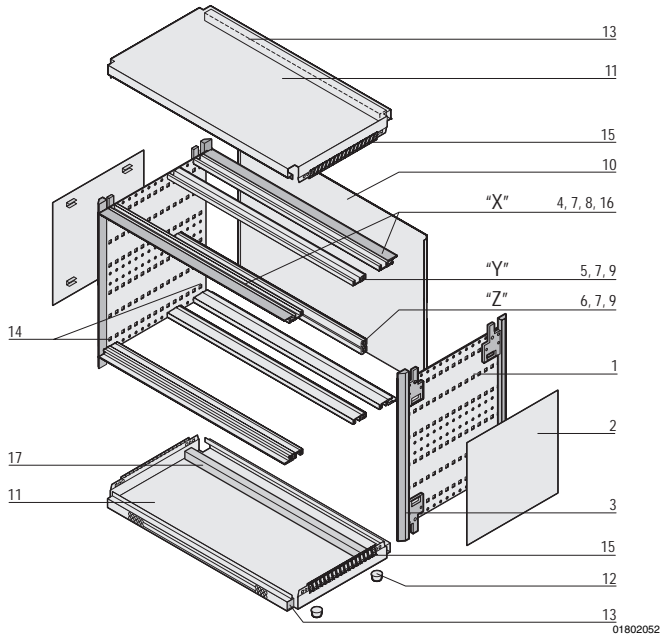
## ratiopacPRO air complete cases



Airflow

Cover strip

06801005 01805055



13

11

15

10

"X" 4, 7, 8, 16

"Y" 5, 7, 9

"Z" 6, 7, 9

1

2

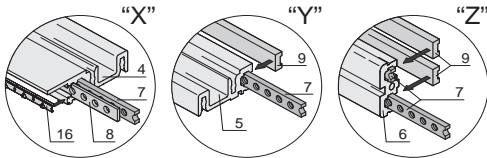
3

15

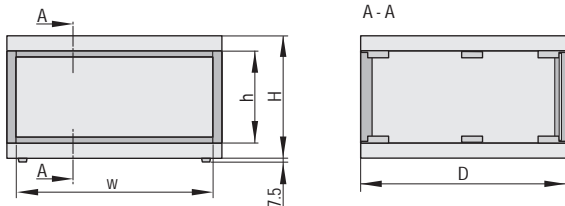
12

13

01802052

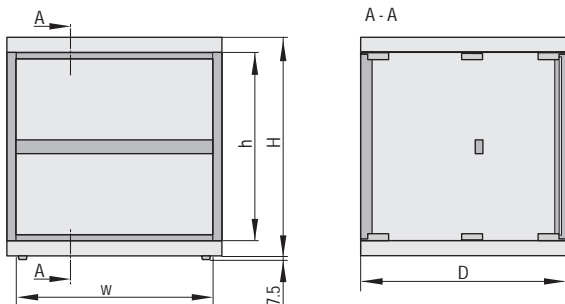


01808055



3 U

01808053



6 U

01808054

- The case has 2 x 1/2 U clearance for ventilation
- Case with cover strip; with pre-mounted components for euroboards and backplane with insulation strip; no visible screws
- Symmetrical design, identical front and rear honeycomb grid ventilation in top cover and base plate
- Available in two versions:
  - unshielded (EMC shielding retrofittable)
  - with EMC shielding fitted

### Delivery comprises (in kit form)

Item	Qty	Description	
		without EMC	with EMC
1	2	2	Side panel, Al, 2 mm, chromated
2	2	2	Side plate, Al, 1 mm, visible surface RAL 9006
3	4	4	Cover, die-cast zinc, RAL 7016, pre-mounted on EMC version only
4	4	4	Horizontal rail, type H-LD, Al, visible surface RAL 7016
5	2	2	Horizontal rail centre (top/bottom), type H-ST, Al
6	1	1	Horizontal rail centre (on 6 U only), type ST, Al
7	6/8	6/8	4 U/7 U: threaded inserts, St, pre-mounted, for indirect backplane mounting with insulation strips
8	–	4	Perforated strip, pre-mounted
9	4	4	Insulation strip, PBT, UL 94 V-0
10	1	1	Rear panel, Al, 2.5 mm
11	2	2	Top cover and base plate with honeycomb grid ventilation, Al, 1 mm, internal surface conductive, visible surface RAL 9006, with GND/earthing connection
12	4	4	Case foot with anti-slip protection, UL 94 V-0, PC, black
13	2	2	Air filter
14	–	1	EMC support profile for side panel, fitted (kit)
15	–	4	EMC contact strip for cover plate, pre-mounted (kit)
16	–	4	EMC contact strip front panel - horizontal rails
17	1	1	Compartment seal, PE foam, self-adhesive, temperature range -20 °C ... +85 °C
18	1	1	GND/Earthing kit, assembly kit

### Order information

Case height H	PCB height h	Width w	Depth D	Unshielded Part no.	EMC shielded Part no.
U	U	HP	mm		
4	3	28	255.5	<b>24572-025</b>	<b>24572-074</b>
4	3	42	255.5	<b>24572-026</b>	<b>24572-075</b>
4	3	42	315.5	<b>24572-027</b>	<b>24572-076</b>
4	3	63	315.5	<b>24572-028</b>	<b>24572-077</b>
4	3	84	315.5	<b>24572-029</b>	<b>24572-078</b>
4	3	84	375.5	<b>24572-030</b>	<b>24572-079</b>
4	3	84	435.5	<b>24572-031</b>	<b>24572-080</b>
7	6	42	315.5	<b>24572-040</b>	<b>24572-088</b>
7	6	63	315.5	<b>24572-041</b>	<b>24572-089</b>
7	6	84	315.5	<b>24572-042</b>	<b>24572-090</b>
7	6	84	375.5	<b>24572-043</b>	<b>24572-091</b>
7	6	84	435.5	24572-044	<b>24572-092</b>

### Note

- Dimension drawings and mounting depths see page 5.13
- Components see page 5.15
- Guide rails from page 5.37

**Part number in bold face type: ready for despatch within 2 working days**  
 Part number in normal type: ready for despatch within 10 working days

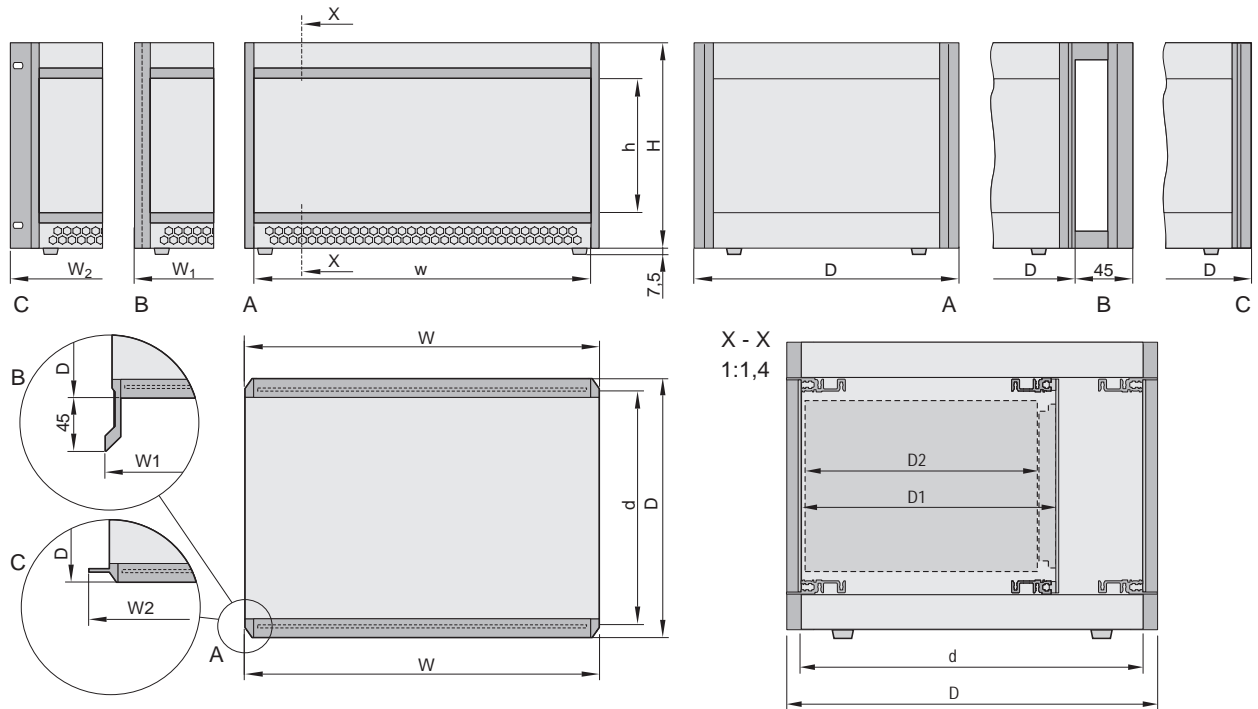


ServicePLUS see page 5.110



# Desk-top cases - *ratiopac* PRO air

## Dimension drawings ratiopacPRO air



A = cover, B = front handle, C= 19" mounting bracket

01805058

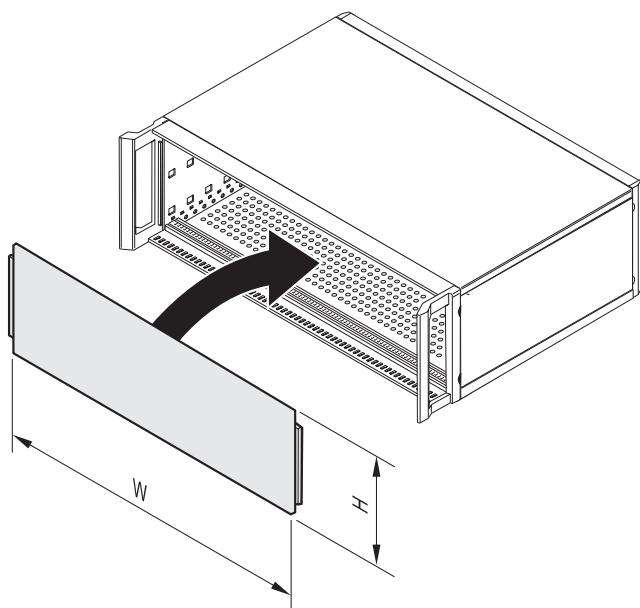
### Dimensions table ratiopacPRO air

in U	Height		Width					Depth			
	H in mm	h in mm	W in HP	w1 in mm	w2 in mm	W in mm	D Total depth in mm	d Usable depth in mm	D1 Plug-in depth in mm	d2 Board depth in mm	
4	177.00	112.35	28	164.42	177.62	198.12	142.82	255.5	235.5	175	160
			42	235.54	248.74	269.24	213.94			235	220
			63	342.42	355.42	375.92	320.62			175	160
5	221.45	156.80	84	448.90	462.10	482.60	427.30	315.5	295.5	235	220
			42	235.54	248.74	269.24	213.94			295	280
7	310.35	245.70	63	342.42	355.42	375.92	320.62	375.5	355.5	175	160
			84	448.90	462.10	482.60	427.30			235	220
			42	235.54	248.74	269.24	213.94			295	280
5	221.45	156.80	63	342.42	355.42	375.92	320.62	435.5	415.5	355	340
			84	448.90	462.10	482.60	427.30			175	160
			42	235.54	248.74	269.24	213.94			235	220
7	310.35	245.70	63	342.42	355.42	375.92	320.62	495.5	475.5	295	280
			84	448.90	462.10	482.60	427.30			355	340
			42	235.54	248.74	269.24	213.94			175	160

Components mountable in 15 mm depth grid

## Desk-top cases - *ratio*pacPRO / -air

### Front panels, clipped



06801502

- Front panels can also be used as rear panels
- Fixing without screws
- Unshielded
- Inserted between side panel and moulded parts such as trim, 19" mounting bracket or handle

### Delivery comprises

Item	Qty	Description
1	1	Front panel, Al, 2.5 mm, front: anodised, rear: colour passivated

### Order information

For case height	Height H	For case width	Width W	Part no.
U	mm	HP	mm	
2, 3-air	84	28	141.9	34571-617
2, 3-air	84	42	213.2	34571-618
2, 3-air	84	63	319.7	34571-619
2, 3-air	84	84	426.4	<b>34571-620</b>
3, 4-air	128.4	28	141.9	<b>34571-605</b>
3, 4-air	128.4	42	213.2	<b>34571-606</b>
3, 4-air	128.4	63	319.7	<b>34571-607</b>
3, 4-air	128.4	84	426.4	<b>34571-608</b>
4, 5-air	172.9	28	141.9	34571-609
4, 5-air	172.9	42	213.2	34571-610
4, 5-air	172.9	63	319.7	34571-611
4, 5-air	172.9	84	426.4	<b>34571-612</b>
5, 6-air	217.3	28	141.9	34571-621
5, 6-air	217.3	42	213.2	34571-622
5, 6-air	217.3	63	319.7	34571-623
5, 6-air	217.3	84	426.4	34571-624
6, 7-air	261.8	28	141.9	34571-613
6, 7-air	261.8	42	213.2	34571-614
6, 7-air	261.8	63	319.7	34571-615
6, 7-air	261.8	84	426.4	<b>34571-616</b>

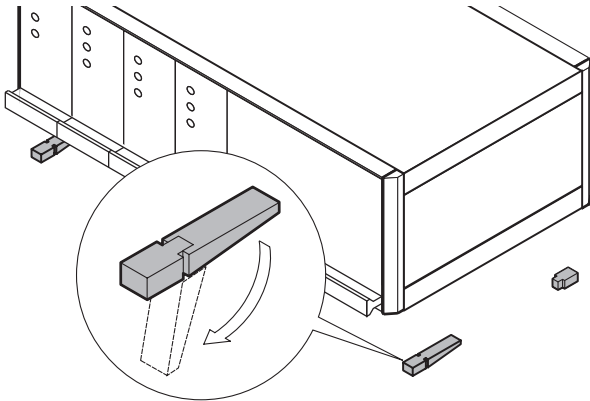
- Screw-fixed front panels see chapter Front panels, page 7.4



For further information [www.schroff.biz/oneclick](http://www.schroff.biz/oneclick)  
oneClick search code = Part no.

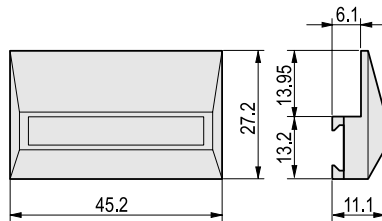
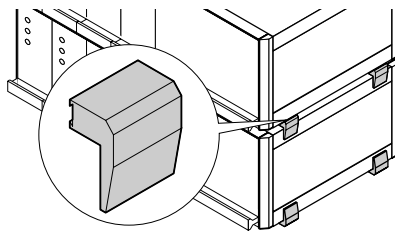
## Desk-top cases - *ratio*pacPRO / -air

### Tip-up feet and stacking aid/design element



Tip-up foot

01802075



Stacking aid/design element

01802076

- Can be used instead of standard feet
- Carrying capacity: 25 kg per foot
- Mounting holes in bottom of casing

#### Delivery comprises (kit)

Item	Qty	Description
1	4	Foot, PA UL 94 V-0
2	4	Anti-slip protection, TPE
3	2	Tip-up, PA UL 94 V-0
4	1	Assembly kit

#### Order information

Description	Part no.
Tip-up feet, silver, similar to RAL 9006	<b>20603-001</b>
Tip-up feet, anthracite, similar to RAL 7016	<b>20603-002</b>
<b>Stacking aid/design element</b> silver, similar to RAL 9006, PA, UL 94 V-0, PU 4 pieces	<b>20603-004</b>
<b>Stacking aid/design element</b> anthracite, similar to RAL 7016, PA, UL 94 V-0, PU 4 pieces	<b>20603-003</b>

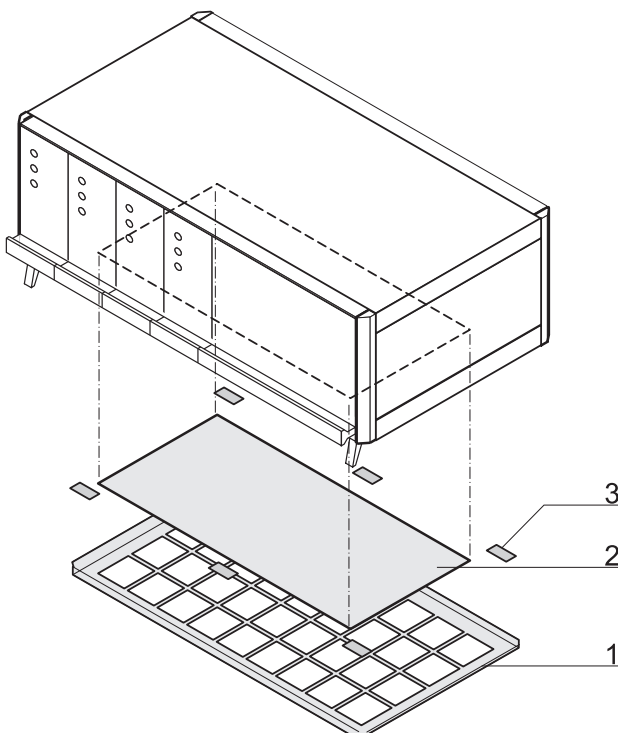
#### Note

- Tip-up feet are necessary for assembly of stacking aid case



For further information [www.schroff.biz/oneclick](http://www.schroff.biz/oneclick)  
oneClick search code = Part no.

### Air filters for *ratio*pacPRO air



- Subsequent assembly without reworking and tools
- Filter replacement without opening the case, IP protection retained

#### Delivery comprises (kit)

Item	Qty	Description
1	1	Filter holder, Al, 1 mm, powder coated, RAL 9006
2	1	Filter mat, synthetic fibre
3	1	Set of Velcro-type fasteners

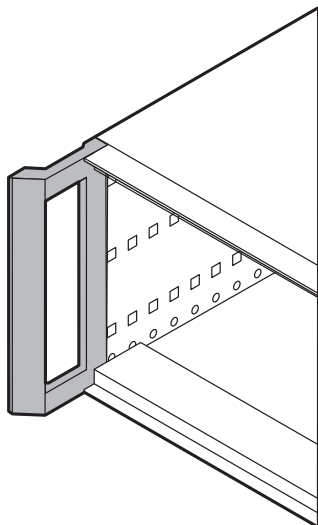
#### Order information

For case width	Air filter	Replacement fan 1 piece
HP	Part no.	Part no.
28	<b>24571-325</b>	<b>64571-033</b>
42	<b>24571-326</b>	<b>64571-034</b>
63	<b>24571-327</b>	<b>64571-035</b>
84	<b>24571-328</b>	<b>64571-036</b>

- To optimise the air supply, plastic tip-up feet must be fitted to the case, see page 5.19

## Desk-top cases - *ratiopacPRO* / -air

### Front handles for retrofitting



- For conversion of cases with cover strip or 19" mounting bracket

#### Delivery comprises (kit)

Item	Qty	Description
1	2	Front handle, Al die-cast, powder coated RAL 7016

#### Order information

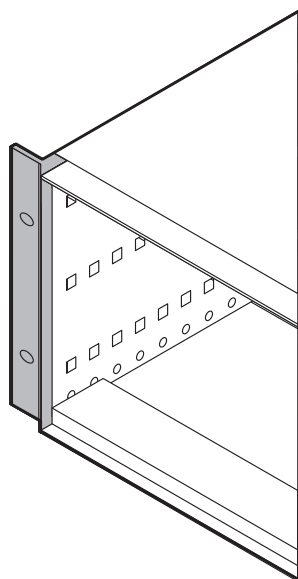
Front handle for	Part no.
ratiopacPRO 3 U	<b>24571-301</b>
ratiopacPRO 4 U	<b>24571-302</b>
ratiopacPRO 5 U	<b>24571-993</b>
ratiopacPRO 6 U	<b>24571-303</b>
ratiopacPRO air 3/4 U	<b>24571-304</b>
ratiopacPRO air 4/5 U	<b>24571-305</b>
ratiopacPRO air 6/7 U	<b>24571-306</b>

RPPR6651



For further information [www.schroff.biz/oneclick](http://www.schroff.biz/oneclick)  
oneClick search code = Part no.

### 19" mounting brackets for retrofitting



- For conversion of cases with cover strip or front handle

#### Delivery comprises (kit)

Qty	Description
2	19" mounting angle, Al die-cast, powder coated RAL 7016

#### Order information

19" mounting angle	Part no.
ratiopacPRO 2 U	<b>24571-994</b>
ratiopacPRO 3 U	<b>24571-295</b>
ratiopacPRO 4 U	<b>24571-296</b>
ratiopacPRO 5 U	<b>24571-992</b>
ratiopacPRO 6 U	<b>24571-297</b>
ratiopacPRO air 4 U	<b>24571-298</b>
ratiopacPRO air 5 U	<b>24571-299</b>
ratiopacPRO air 7 U	<b>24571-300</b>

RPPR6652

#### Note

- Slide rails cannot be used for installation in cabinets and 19" cases
- Front handles for 19" mounting bracket see page 5.20

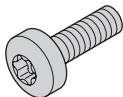


For further information [www.schroff.biz/oneclick](http://www.schroff.biz/oneclick)  
oneClick search code = Part no.

## Desk-top cases - *ratio*pac PRO / -air


### Torx panhead screws

#### Order information

	Description	Application	Material	Dimension	Qty/PU	Part no.
 <small>AZA4592 3</small>	Countersunk screw with torx	For horizontal rail to side panel, with GND/earthing function	St, zinc-plated	M4 × 14	100	<b>24571-371</b>
	Countersunk screw with torx	For horizontal rail to side panel, if guide rail is bolted onto slot 1	St, zinc-plated	M4 × 10	100	<b>24571-372</b>

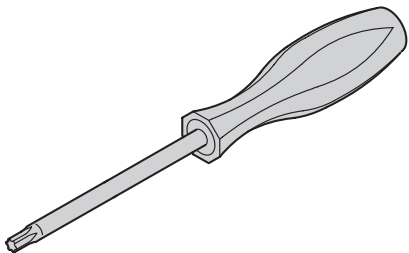
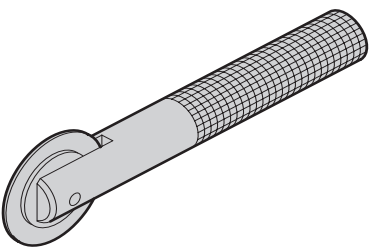
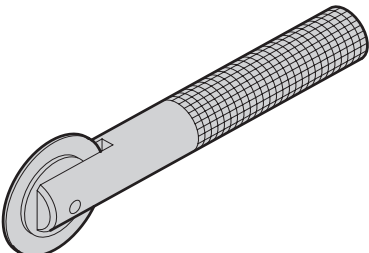
### Nut

#### Order information

	Description	Application	Material	Dimension	Qty/PU	Part no.
 <small>AZA4592 1</small>	Square nut	For fixing: parts to side panels, support profiles, mounting plates	St, zinc-plated	M4	100	<b>24560-140</b>

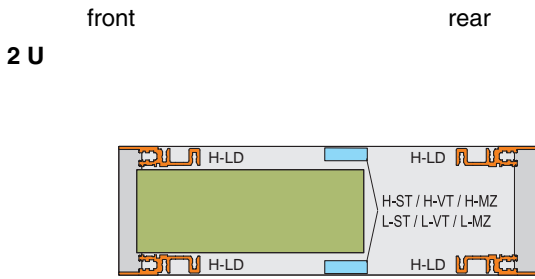
### Assembly tools

#### Order information

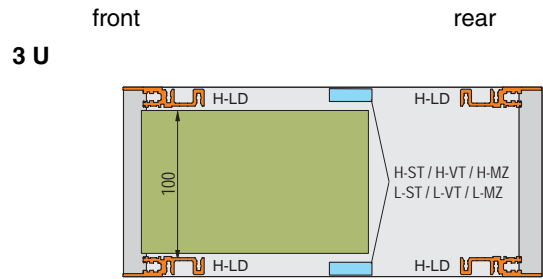
	Description	Application	Dimension	Qty/PU	Part no.
 <small>AZA45925</small>	Torx screwdriver		T8	1	<b>64560-026</b>
			T20	1	<b>64560-027</b>
 <small>aza45938</small>	Assembly tool for horizontal rails	Exclusively for mounting stainless steel EMC contact strips on horizontal rails	–	1	<b>24560-271</b>
 <small>aza45937</small>	Assembly tool for front panels	For mounting stainless steel EMC contact strips on front panels with lateral slot	–	1	<b>24560-270</b>

# Desk-top cases - *ratiopac*PRO / -air

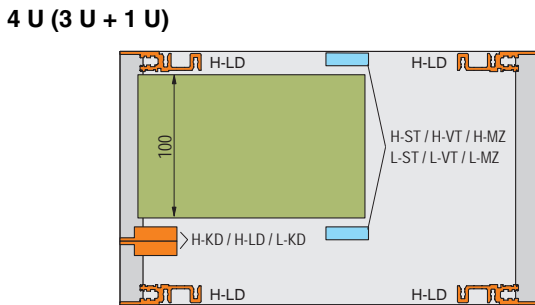
## Mounting position *ratiopac*PRO horizontal/central rails



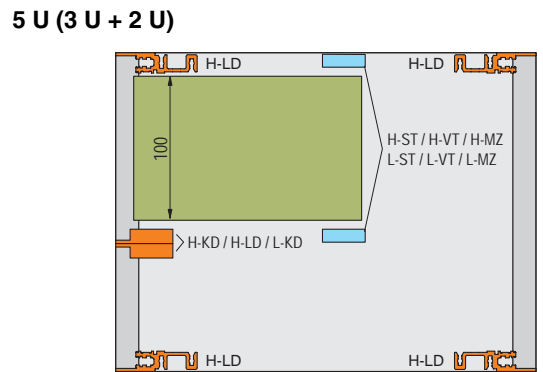
01805060



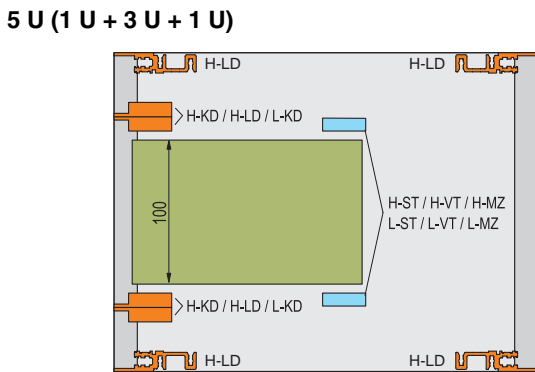
01802057



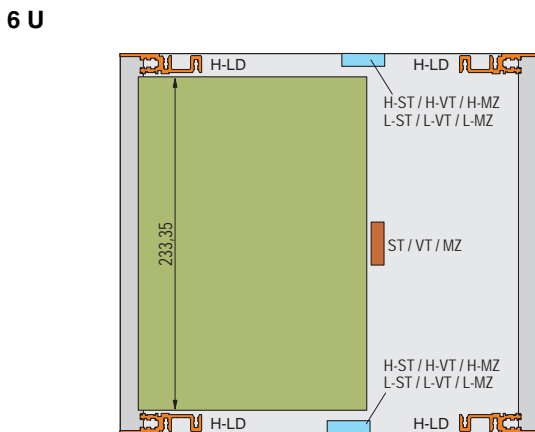
01802058



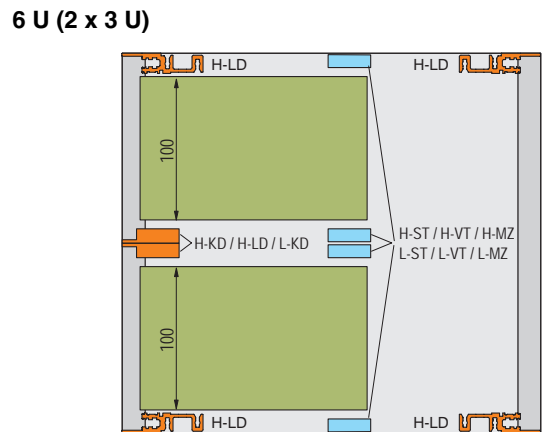
01805062



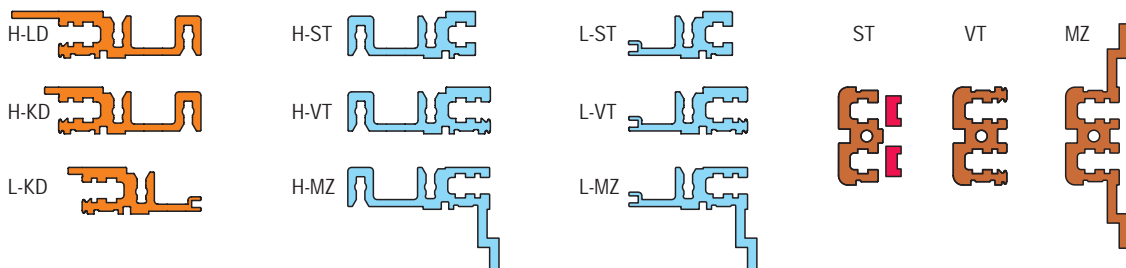
01805061



01802059



01802060



Horizontal rails can be bolted on in 15 mm depth grid

01808050

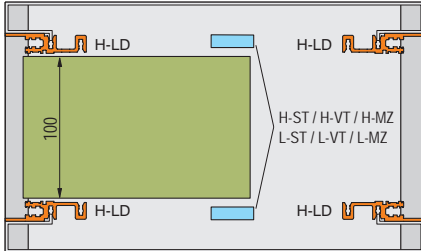
# Desk-top cases - *ratio*pacPRO / -air

## Mounting position *ratio*pacPRO air horizontal/central rails

front

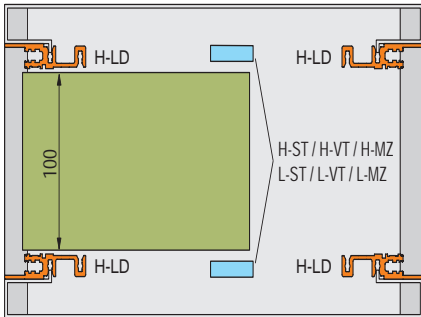
rear

4-air U (1/2 U + 3 U + 1/2 U)



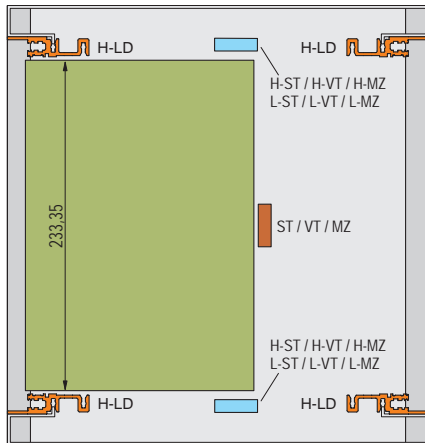
01802061

5-air U (1/2 U + 3 U + 1U +1/2 U)



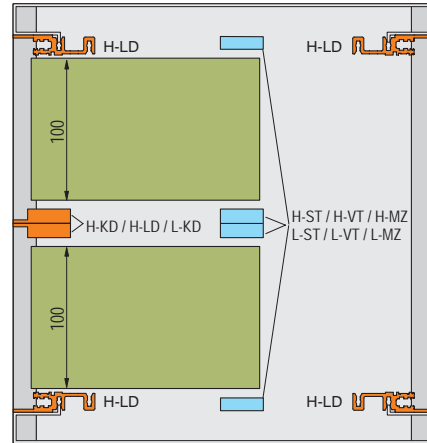
01802062

7-air U (1/2 U + 6 U + 1/2 U)



01802063

7-air U (1/2 U + 3 U + 3U 1/2 U)



01802064



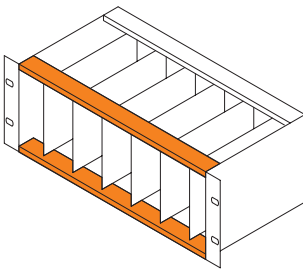



Horizontal rails can be bolted on in 15 mm depth grid

01808050

# Desk-top cases - *ratiopac*PRO / -air

## Front horizontal rails

### Order information

 <p>bza44980</p>		<p><b>"light"</b> Type L-KD short lip</p>  <p>06197007</p> <p>Al extrusion, anodised finish, contact surface conductive, with printed HP markings</p> <p><b>1 piece (SPQ 10)<sup>1)</sup></b></p>	<p><b>"heavy"</b> Type H-KD short lip</p>  <p>06197008</p> <p>Al extrusion, anodised finish, contact surface conductive, with printed HP markings</p> <p><b>1 piece (SPQ 10)<sup>1)</sup></b></p>	<p><b>With long lip for insertion/extraction of CompactPCI and VME64x boards</b></p> <p><b>"heavy"</b> Type H-LD long lip</p>  <p>06197009</p> <p>Al extrusion, anodised finish, contact surface conductive, with printed HP markings</p> <p><b>1 piece (SPQ 10)<sup>1)</sup></b></p>
<b>Usable length HP</b>	<b>Length mm</b>			
28	147.32	<b>34560-128</b>	<b>34560-228</b>	<b>34560-328</b>
42	218.44	<b>34560-142</b>	<b>34560-242</b>	<b>34560-342</b>
63	325.12	<b>34560-163</b>	<b>34560-263</b>	<b>34560-363</b>
84	431.80	<b>34560-184</b>	<b>34560-284</b>	<b>34560-384</b>
M4 × 10, St, zinc-plated, necessary if guide rail is screwed to slot 1, PU 100 pieces		<b>24571-372</b>	<b>24571-372</b>	<b>24571-372</b>
Threaded inserts see page		5.32	5.32	5.32

<sup>1)</sup> SPQ (standard pack quantity): Order number includes 1 piece, but delivery is exclusively made in standard pack quantity (SPQ); please order at least the SPQ quantity or a multiple

"light": loading capacity up to approx. 7.5 kg; "heavy": loading capacity > 7.5 kg



# Desk-top cases - *ratio*pac PRO / -air

## Rear horizontal rails

### Order information

Usable length HP	Length mm	For indirect mounting of backplanes via insulation strip		For direct backplane fixing		For direct mounting of connectors to EN 60603-2 (DIN 41612)	
		"light" Type L-ST standard	"heavy" Type H-ST standard	"light" Type L-VT + 3 mm	"heavy" Type H-VT long lip	"light" Type L-MZ with Z-rail	"heavy" Type H-MZ with Z-rail
		1 piece (SPQ 10) <sup>1)</sup>	1 piece (SPQ 10) <sup>1)</sup>	1 piece (SPQ 10) <sup>1)</sup>	1 piece (SPQ 10) <sup>1)</sup>	1 piece (SPQ 10) <sup>1)</sup>	1 piece (SPQ 10) <sup>1)</sup>
28	147.32	<b>34560-428</b>	<b>34560-528</b>	<b>34560-628</b>	<b>34560-728</b>	<b>34560-828</b>	<b>34560-928</b>
42	218.44	<b>34560-442</b>	<b>34560-542</b>	<b>34560-642</b>	<b>34560-742</b>	<b>34560-842</b>	<b>34560-942</b>
63	325.12	<b>34560-463</b>	<b>34560-563</b>	<b>34560-663</b>	<b>34560-763</b>	<b>34560-863</b>	<b>34560-963</b>
84	431.80	<b>34560-484</b>	<b>34560-584</b>	<b>34560-684</b>	<b>34560-784</b>	<b>34560-884</b>	<b>34560-984</b>
Torx panhead screw, 4 x 10		<b>24571-372</b>	<b>24571-372</b>	<b>24571-372</b>	<b>24571-372</b>	<b>24571-372</b>	<b>24571-372</b>
Perforated rail for connector mounting with insulation strip see page		5.33	5.33	-	-	-	-
Z-rail for connector mounting without insulation strip see page		5.33	5.33	-	-	-	-
Insulation strips see page		5.32	5.32	-	-	-	-
Threaded inserts see page		5.32	5.32	5.32	5.32	5.32	5.32

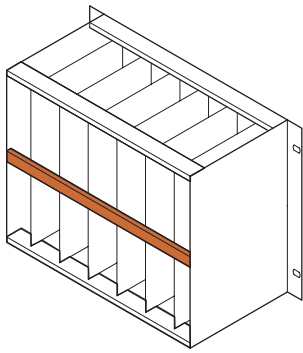






1) SPQ (standard pack quantity): Order number includes 1 piece, but delivery is exclusively made in standard pack quantity (SPQ); please order at least the SPQ quantity or a multiple

"light": loading capacity up to approx. 7.5 kg; "heavy": loading capacity > 7.5 kg

# Desk-top cases - *ratio*pac PRO / -air

## Horizontal rails rear, centre

### Order information

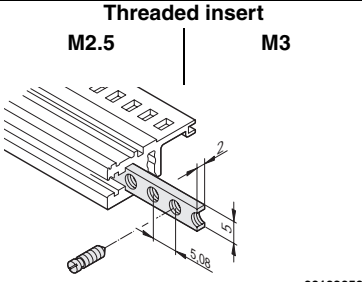
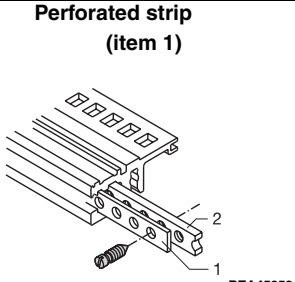
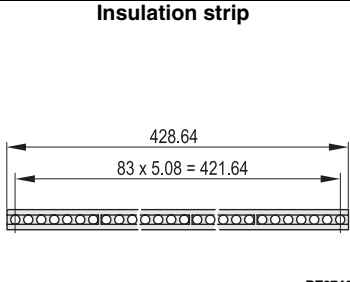
 <p>06108090</p>	<p><b>For indirect mounting of backplanes via insulation strip</b></p>  <p>06197016</p> <p><b>Type ST</b></p>  <p>06197016</p> <p>Al extrusion, finish anodised, contact surface conductive; without marking</p> <p><b>1 piece (SPQ 10)<sup>1)</sup></b></p>	<p><b>For direct backplane fixing</b></p>  <p>06197017</p> <p><b>Type VT</b></p>  <p>06197017</p> <p>Al extrusion, finish anodised, contact surface conductive; without marking</p> <p><b>1 piece (SPQ 10)<sup>1)</sup></b></p>	<p><b>For direct mounting of connectors to EN 60603-2 (DIN 41612))</b></p>  <p>06197018</p> <p><b>Type MZ</b></p>  <p>06197018</p> <p>Al extrusion, finish anodised, contact surface conductive; without marking</p> <p><b>1 piece (SPQ 10)<sup>1)</sup></b></p>	
	<p><b>Usable length HP</b></p> <p><b>Length mm</b></p>			
28	147.32	<b>34561-028</b>	<b>34561-128</b>	<b>34561-228</b>
42	218.44	<b>34561-042</b>	<b>34561-142</b>	<b>34561-242</b>
63	325.12	<b>34561-063</b>	<b>34561-163</b>	<b>34561-263</b>
84	431.80	<b>34561-084</b>	<b>34561-184</b>	<b>34561-284</b>
Torx panhead screw, 4 x 10		<b>24571-372</b>	<b>24571-372</b>	<b>24571-372</b>
Insulation strips see page		5.32	–	–
Threaded inserts see page		5.32	5.32	5.32

<sup>1)</sup> SPQ (standard pack quantity): Order number includes 1 piece, but delivery is exclusively made in standard pack quantity (SPQ); please order at least the SPQ quantity or a multiple

# Desk-top cases - *ratiopac*PRO / -air

## Threaded inserts, perforated strips, insulation strips

### Order information

Usable length HP	Threaded insert			Perforated strip (item 1)		Insulation strip	
	Length mm	1 piece (SPQ 10) <sup>1</sup>	1 piece (SPQ 10) <sup>1</sup>	Length mm	1 piece (SPQ 10) <sup>1</sup>	Length mm	PU 10 pieces
	 <p>Required for assembly of front panel on horizontal rail; please use collar screw 12.3 mm, see page 7.101</p>			 <p>For centring of shielded plug-in units, AI, 1 mm, please order grub screw for fixing separately</p>		 <p>For insulated backplane mounting</p>	
28	147.32	<b>34561-328</b>	–	147.12	<b>30845-197</b>	144.20	<b>24560-828</b>
42	218.44	<b>34561-342</b>	–	218.24	<b>30845-211</b>	210.40	<b>24560-842</b>
63	325.12	<b>34561-363</b>	–	324.92	<b>30845-232</b>	316.88	<b>24560-863</b>
84	431.80	<b>34561-384</b>	<b>34561-484</b>	431.60	<b>30845-253</b>	428.64	<b>24560-884</b>
Grub screw M2.5 x 8, PU 100 pieces		<b>21100-276</b>	–		–		–
Grub screw M2.5 x 9, PU 100 pieces		–	–		<b>21101-359</b>		–
Grub screw M3 x 8, PU 100 pieces		–	<b>21100-646</b>		–		–

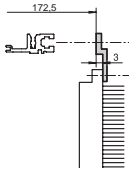
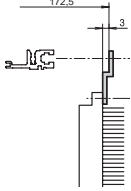
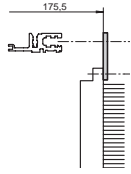
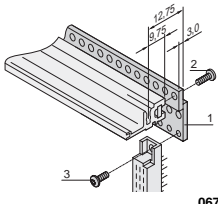
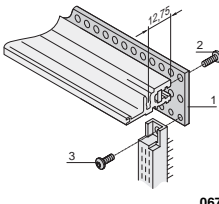
1) SPQ (standard pack quantity): Order number includes 1 piece, but delivery is exclusively made in standard pack quantity (SPQ); please order at least the SPQ quantity or a multiple

2) Part no. includes one packing unit (PU); delivery is exclusively made in PU

# Desk-top cases - *ratio*pac PRO / -air

## Z-rails, perforated rails

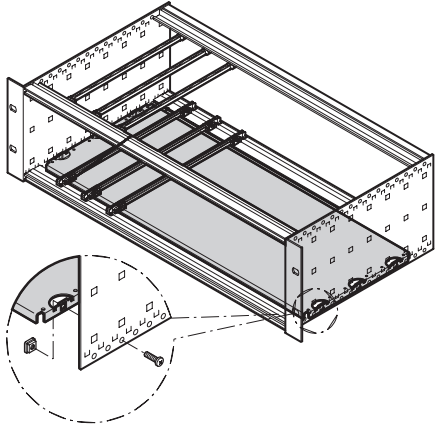
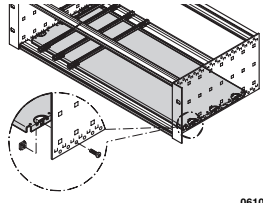
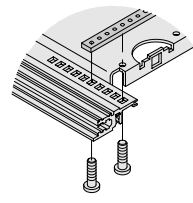
### Order information

		Z-rail for connectors		Perforated rail	
		For connector, IEC 60603-2 DIN EN 41612 item 1	31-pin, DIN 41617	EN 60603-2, DIN 41612 item 1	
		 <p>BZA45849</p>  <p>BZA45850</p>  <p>BZA45848</p>  <p>06708063</p>  <p>06708051</p>	For connector mounting with ST horizontal rails, please order threaded insert and screw separately	For connector mounting with ST horizontal rails, please order threaded insert and screw separately	For connector mounting with VT horizontal rails, please order threaded insert and screw separately
<b>Usable length</b>	<b>Length</b>	<b>1 piece</b>	<b>1 piece</b>	<b>PU 4 pieces</b>	
<b>HP</b>	<b>mm</b>				
28	142.24	<b>30822-033</b>	—	<b>20822-049</b>	
42	213.36	<b>30822-047</b>	—	<b>20822-050</b>	
60	304.80	<b>30822-065</b>	<b>30819-783</b>	<b>20822-047</b>	
84	426.70	<b>30822-089</b>	<b>30819-808</b>	<b>20822-048</b>	
Countersunk screw with torx to fix connector to perforated rail, M2.5 × 7, PU 100 pieces Item 3		<b>24560-147</b>	<b>24560-147</b>	<b>24560-147</b>	
Countersunk screw with torx for fixing perforated rails to the horizontal rail, M2.5 × 10, PU 100 pieces Item 2		<b>24560-148</b>	<b>24560-148</b>	<b>24560-148</b>	

# Desk-top cases - *ratio*pac PRO / -air

## Mounting plates

### Order information

 06102501			 06102501	 06102501
HP	Width mm	Board lengths mm	1 piece	1 piece
28	146.88	160	<b>34562-745</b>	<b>30840-021</b>
28	146.88	220	<b>34562-749</b>	<b>30840-033</b>
28	146.88	160	<b>34562-753</b>	30840-045
28	146.88	220	<b>34562-757</b>	<b>30840-057</b>
42	217.99	160	<b>34562-746</b>	<b>30840-021</b>
42	217.99	220	<b>34562-750</b>	<b>30840-033</b>
42	217.99	160	<b>34562-754</b>	30840-045
42	217.99	220	<b>34562-758</b>	<b>30840-057</b>
63	324.67	160	<b>34562-747</b>	<b>30840-021</b>
63	324.67	220	<b>34562-751</b>	<b>30840-033</b>
63	324.67	160	<b>34562-755</b>	30840-045
63	324.67	220	<b>34562-759</b>	<b>30840-057</b>
84	431.35	160	<b>34562-748</b>	<b>30840-021</b>
84	431.35	220	<b>34562-752</b>	<b>30840-033</b>
84	431.35	160	<b>34562-756</b>	30840-045
84	431.35	220	<b>34562-760</b>	<b>30840-057</b>
Assembly material for mounting plate, PU 1 kit (countersunk screw with Torx M4 x 5, St, zinc-plated, 12 pieces; screw M4 x 6, St, zinc-plated 10 pieces; M4 square nut, St, zinc-plated, 10 pieces)			<b>24560-184</b>	—
Assembly kit for assembly strips of mounting plate (Torx screw M2.5 x 5, St, zinc-plated, PU 100 pieces)			—	<b>24560-146</b>

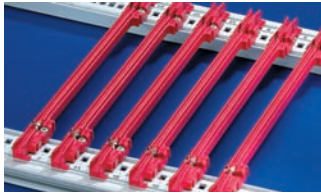
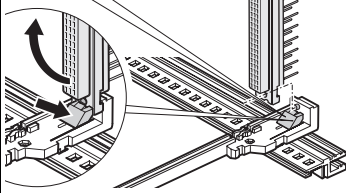
### Note

- A guide rail can be mounted on the first and last slot position
- 4.4" and "reinforced" guide rails cannot be used

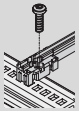
## Desk-top cases - *ratio*pac**PRO** / -air

### Guide rails for plug-in units and modules, one-piece, groove width 2 mm and 2.5 mm

#### Order information

<b>Assembly</b> - can be clipped onto Al extruded horizontal rails - onto 1.5 mm thick plates  <b>Storage temperature</b> from -40 °C ... 130 °C			<b>For plug-in units and frame-type plug-in units</b> <b>"Standard"</b>    Up to 220 mm length, PBT, UL 94 V-0; from 280 mm length, multi-piece, end piece PBT, UL 94 V-0, middle section Al extrusion		PBT, UL 94 V-0	<b>With DIN connector fixing as standard</b>    Connector is clipped direct on the guide rails
<b>Board lengths</b> mm	<b>Groove width</b> mm	<b>Colour</b> mm	<b>PU 10 pieces</b>	<b>1 piece (SPQ 50)</b>	<b>PU 10 pairs</b>	
70	2	red	-	<b>34579-230</b>	-	
70	2	grey	-	<b>34579-231</b>	-	
160	2	red	<b>24560-351</b>	<b>64560-001</b>	<b>64560-074</b>	
220	2	red	<b>24560-353</b>	<b>64560-002</b>	<b>64560-075</b>	
280	2	red	<b>24560-379</b>	-	-	
340	2	red	<b>24560-380</b>	-	-	
160	2.5	red	-	<b>64560-096</b>	-	
220	2.5	red	-	<b>64560-098</b>	-	

#### Accessories

Retention screw, PU 100 pieces		<b>24560-141</b>
ESD clip, PU 50 pieces		<b>24560-255</b>

1) SPQ (standard pack quantity): Order number includes 1 piece, but delivery is exclusively made in standard pack quantity (SPQ); please order at least the SPQ quantity or a multiple

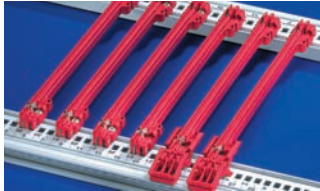
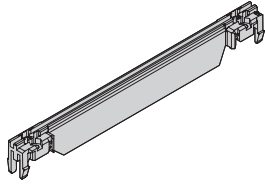
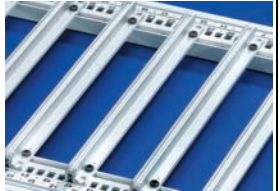
2) Part no. includes one packing unit (PU); delivery is exclusively made in PU

**Description of accessories see from page 6.41**

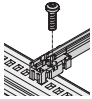
# Desk-top cases - *ratiopac*PRO / -air

## Guide rails type "accessories", one-piece, groove width 2 mm and 2.5 mm

### Order information

<b>Assembly</b> - can be clipped onto Al extruded horizontal rails - can be clipped onto 5 mm thick plates  <b>Storage temperature</b> from -40 °C ... 130 °C			<b>Guide rails type</b>			
			<b>"Accessories"</b>    Up to 220 mm length PBT, UL 94 V-0; from 280 mm length, multi-piece, end piece PBT, UL 94 V-0, middle section Al extrusion		<b>"Accessories", strengthened</b>    PBT, UL 94 V-0; support beam of guide rails adds to strengthening	<b>For heavy modules, Al extrusion, silver, robust version</b>    Al extrusion; is screwed to horizontal rail "heavy" with retention screws
<b>Board lengths mm</b>	<b>Groove width mm</b>	<b>Colour mm</b>	<b>PU 10 pieces</b>	<b>1 piece (SPQ 50)</b>	<b>1 piece (SPQ 50)</b>	<b>1 piece (SPQ 10)<sup>1)</sup></b>
100	2	red	–	<b>64560-082</b>	–	–
160	2	red	<b>24560-373</b>	<b>64560-005</b>	<b>64560-076</b>	–
160	2	grey	–	<b>64560-055</b>	–	<b>34562-881</b>
220	2	red	<b>24560-374</b>	<b>64560-006</b>	<b>64560-078</b>	–
220	2	grey	–	<b>64560-166</b>	–	<b>34562-882</b>
280	2	red/silver	<b>24560-375</b>	–	<b>64560-080</b>	<b>34562-883</b>
340	2	red/silver	<b>24560-376</b>	–	–	<b>34562-884</b>
400	2	red/silver	–	–	–	<b>34562-885</b>
160	2.5	silver	–	–	–	<b>34564-881</b>
220	2.5	silver	–	–	–	<b>34564-882</b>
280	2.5	silver	–	–	–	<b>34564-883</b>
340	2.5	silver	–	–	–	<b>34564-884</b>
400	2.5	silver	–	–	–	<b>34564-885</b>

### Accessories

Retention screw, PU 100 pieces 	<b>24560-141</b>	<b>24560-141</b>	<b>24560-141</b>	<b>24560-157</b>
ESD clip, PU 50 pieces		<b>24560-255</b>		–
Board locking, red, PU 10 pieces		<b>24560-377</b>		–
Board handle, red, PU 10 pieces		<b>24560-378</b>		–
Identification strips for board handle, red, PU 1 sheet = 438 pieces		<b>60817-228</b>		–
Coding see page		6.40		–

1) SPQ (standard pack quantity): Order number includes 1 piece, but delivery is exclusively made in standard pack quantity (SPQ); please order at least the SPQ quantity or a multiple

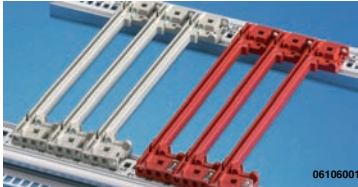
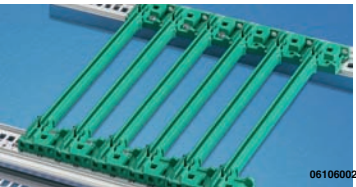

2) Part no. includes one packing unit (PU); delivery is exclusively made in PU

Description of accessories see from page 6.41

## Desk-top cases - *ratio*pac**PRO** / -air

### Guide rails for CompactPCI, VME64x with coding, 4.4" PCB, groove width 2 mm and 2.5 mm

#### Order information

<b>Assembly</b> - can be clipped onto Al extruded horizontal rails - onto 1.5 mm thick plates  <b>Storage temperature</b> from -40 °C ... 130 °C			<b>For CompactPCI, VME64x with coding</b> <b>To IEEE 1101.10 and IEC 60297-3-103</b>		<b>Offset 0.1" for power supply units to IEEE 1101.10 and IEC 60297-3-103</b>		<b>For 4.4" PCBs</b>	
								
			Multi-piece, end piece PBT, UL 94 V-0, middle part Al extrusion	PBT, UL 94 V-0	PBT, UL 94 V-0, for installation of power supplies in CompactPCI systems or plug-in units with SMD placement		One-piece, PBT, UL 94 V-0; for 4.4" PCBs or drive units	
<b>Board lengths</b> mm	<b>Groove width</b> mm	<b>Colour</b> mm	<b>PU 10 pieces</b>	<b>1 piece (SPQ 50)</b>	<b>PU 10 pieces</b>	<b>1 piece (SPQ 50)</b>	<b>PU 10 pieces</b>	<b>1 piece (SPQ 50)<sup>1)</sup></b>
70	2	red	<b>24560-355</b>	<b>64560-085</b>	-	-	-	-
70	2	grey	<b>24560-360</b>	<b>64560-086</b>	-	-	-	-
160	2	red	<b>24560-356</b>	<b>64560-089</b>	-	-	<b>24560-361</b>	<b>64560-143</b>
160	2	grey	<b>24560-358</b>	<b>64560-090</b>	-	-	-	-
160	2	green	-	-	<b>24560-359</b>	<b>64560-071</b>	-	-
220	2	red	-	<b>64560-091</b>	-	-	<b>24560-362</b>	<b>64560-144</b>
220	2	grey	-	<b>64560-092</b>	-	-	-	-
220	2	green	-	-	-	<b>64560-072</b>	-	-
160	2.5	red	-	-	-	-	-	<b>64560-145</b>
220	2.5	red	<b>24561-330</b>	-	-	-	-	<b>64560-146</b>
220	2.5	grey	<b>24561-340</b>	-	-	-	-	-
280	2.5	red	<b>24561-331</b>	-	-	-	-	-
280	2.5	grey	<b>24561-341</b>	-	-	-	-	-
340	2.5	red	<b>24561-332</b>	-	-	-	-	-
340	2.5	grey	<b>24561-342</b>	-	-	-	-	-

#### Accessories

ESD clips, PU 50 pieces	<b>24560-255</b>	<b>24560-255</b>	-	-	-	-
ESD clips, for alignment pin, PU 50 pieces	<b>24560-256</b>	<b>24560-256</b>	<b>24560-256</b>	<b>24560-256</b>	-	-
Retention screw, PU 100 pieces	<b>24560-141</b>	<b>24560-141</b>	<b>24560-141</b>	<b>24560-141</b>	<b>24560-158</b>	<b>24560-158</b>
Coding peg, PU 100 pieces	<b>20817-501</b>	<b>20817-501</b>	<b>20817-501</b>	<b>20817-501</b>	-	-

1) SPQ (standard pack quantity): Order number includes 1 piece, but delivery is exclusively made in standard pack quantity (SPQ); please order at least the SPQ quantity or a multiple

2) Part no. includes one packing unit (PU); delivery is exclusively made in PU

Description of accessories see from page 6.40

#### Note

- Strengthening for plastic profiles (PVC) > 280 mm depth available on request