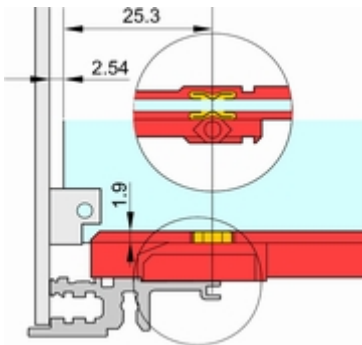


ESD clip for guide rails**Article number: 24560-255**

- with Keying/coding block
- The ESD clip ensures a conductive contact between the printed board and horizontal rail, both on the solder side and on the component side
- The ESD clip for alignment pins (complying with IEEE) can be mounted in the guide rails with keying/coding and in the keying/coding block. It ensures a conductive contact between the alignment pin of the insertion/extraction handle (IEL-, or IET-handle) and the horizontal rail

Technical data:

Description	Qty
ESD clip	50

**Montageanweisung
ESD-Clip
europacPRO**

**Assemblyinstruction
ESD-Clip
europacPRO**

**Instructionsdémontage
Clipantistatique
europacPRO**

