

Please note that the data given here has been taken from the online catalog. For comprehensive information and data, please refer to the user documentation at <http://www.download.phoenixcontact.com>. The General Terms and Conditions of Use apply to Internet downloads.

## ▶ Extract from the online catalog



Spacer plate for test plug, for skipping individual terminal blocks during the assembly of individual test plugs, 5.2 mm wide, can be labeled with ZBFM 5

Order No.	3036725
Ord designation	DP PS-5
EAN	4017918818975
Pack	10 Pcs.
Customs tariff	85369010
Weight/Piece	0,0015 KG
Catalog page information	Page 388 (CL-2005)

## ▶ Product notes

WEEE/RoHS-compliant since: 01/01/2003

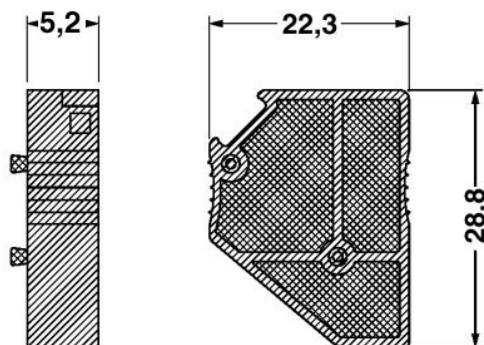


**IMPORTANT :** This date is valid for Customers in Germany only. Date Format is MM/DD/YYYY. Please contact your local in-country Phoenix Contact location or designated business partner for a Logistics Compliant date in your area. In order to guarantee delivery of RoHS-Compliant product, please purchase Phoenix Contact parts from authorized Phoenix Contact representatives and distributors.



## ▶ Drawings

### Dimensioned drawing



---

## ► Address

---

PHOENIX CONTACT GmbH & Co. KG  
Flachsmarktstr. 8  
32825 Blomberg  
Germany  
Phone +49 5235 3 00  
Fax +49 5235 3 41200  
<http://www.phoenixcontact.de>  
Phoenix Contact  
Technical modifications reserved;