

Power line filters for three-phase systems

Rated voltage 480/275 V~, 50/60 Hz

Rated current 8 bis 150 A

Construction

- Three-line filter
- Metal case



Features

- Excellent price/performance ratio
- Ultra-compact design, low weight
- Low leakage current
- Easy to install
- Construction complies with EN 133200, UL 1283, CSA 22.2 No. 8 1986
- Optimized for long motor cables and operation under full loads
- UL and CSA approval for 8 to 50 A, for 66 to 150 A pending

Applications

- Frequency converters for motor drives, e.g.
 - elevators
 - pumps
 - traction systems
 - HVAC systems (heating, ventilation and air conditioning)
- Power supplies

Terminals

Safe-to-touch terminal blocks

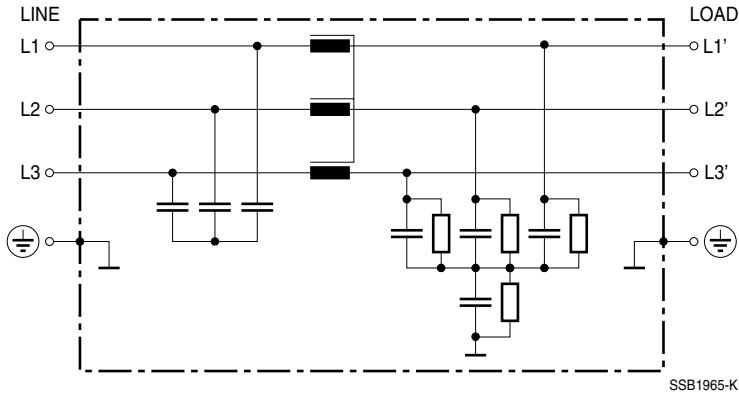
Marking

Marking on component:

Manufacturer's logo, ordering code, rated voltage, rated current, rated temperature, climatic category, date code



Minimum marking on packaging:

Manufacturer's logo, ordering code

Typical circuit diagrams

Technical data

| | |
|----------------------------|--|
| Rated voltage V_R | 480/275 VAC, 50/60 Hz |
| Rated current I_R | Referred to 40 °C ambient temperature |
| Test voltage V_T | 2121 VDC, 2 s (line/line) 2700 VDC, 2 s (line/case) |
| Overload capability | 1,5 · I_R for 3 min per hour or 2,5 · I_R for 30 s per hour |
| Leakage current I_{leak} | at 480 VAC, 50 Hz |
| Climatic category | 25/085/21 (– 25 °C/+85 °C/21 days damp heat test) in accordance with EN 60068-1 |

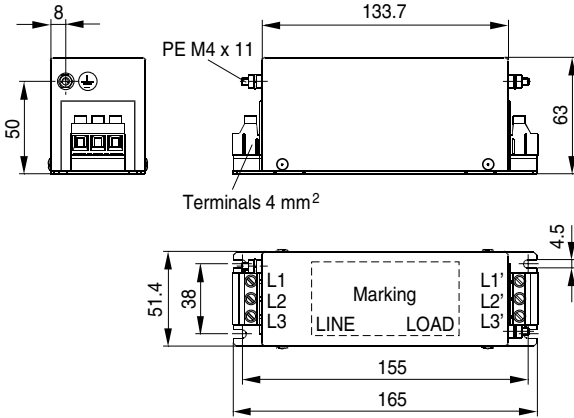
Characteristics and ordering codes

| I_R A | Terminal cross section mm ² | I_{leak} typ ¹⁾ mA | R_{typ} mΩ | Approx weight kg | Ordering code | Approvals   | |
|------------|--|---------------------------------------|-----------------|------------------------|-----------------|--|---|
| 8 | 4 | 12 | 16 | 0.58 | B84143A0008R105 | x | x |
| 16 | 4 | 14 | 9 | 0.90 | B84143A0016R105 | x | x |
| 25 | 4 | 14 | 5 | 1.10 | B84143A0025R105 | x | x |
| 36 | 10 | 14 | 4 | 1.75 | B84143A0036R105 | x | x |
| 50 | 10 | 14 | 2 | 1.75 | B84143A0050R105 | x | x |
| 66 | 16 | 14 | 1.5 | 2.7 | B84143A0066R105 | UL and CSA pending | |
| 90 | 35 | 16 | 1.1 | 4.2 | B84143A0090R105 | | |
| 120 | 35 | 16 | 0.90 | 4.9 | B84143A0120R105 | | |
| 150 | 50 | 16 | 0.55 | 5.3 | B84143A0150R105 | | |

¹⁾ At rated operation

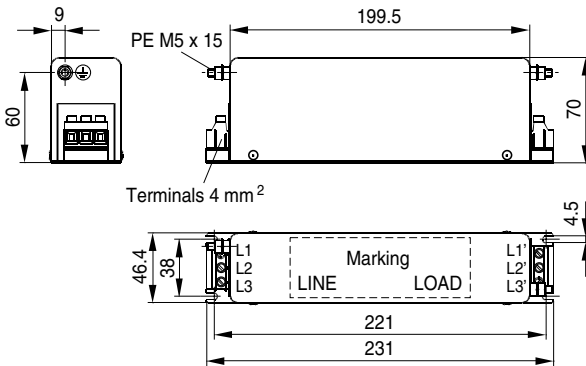
Dimensional drawings

B84143A0008R105



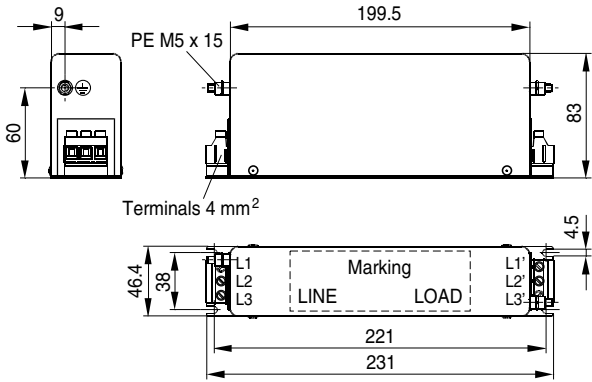
SSB1988-P-E

B84143A0016R105



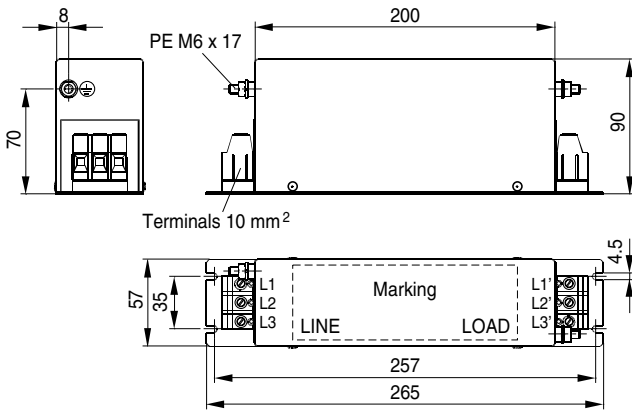
SSB1989-X-E

B84143A0025R105



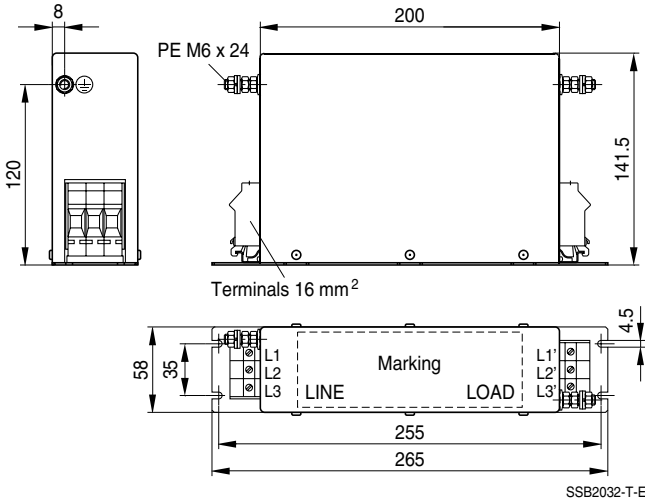
SSB1990-1-E

B84143A0036R105, ...A0050R105

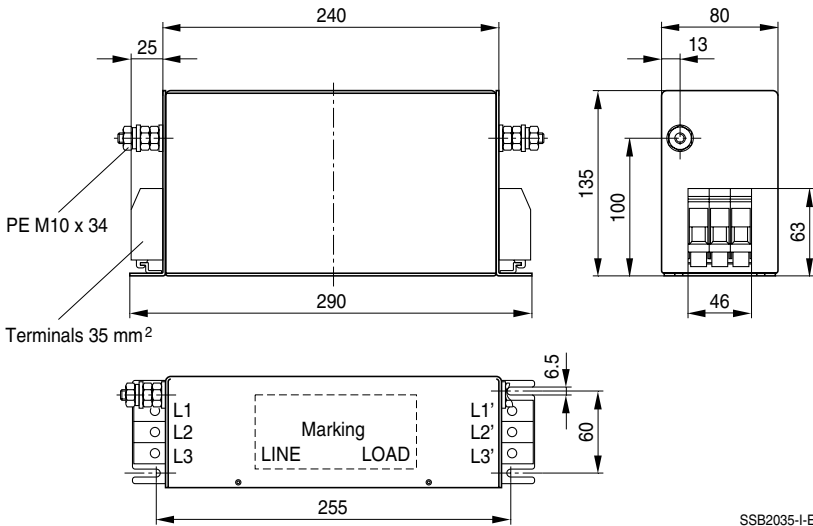


SSB1991-9-E

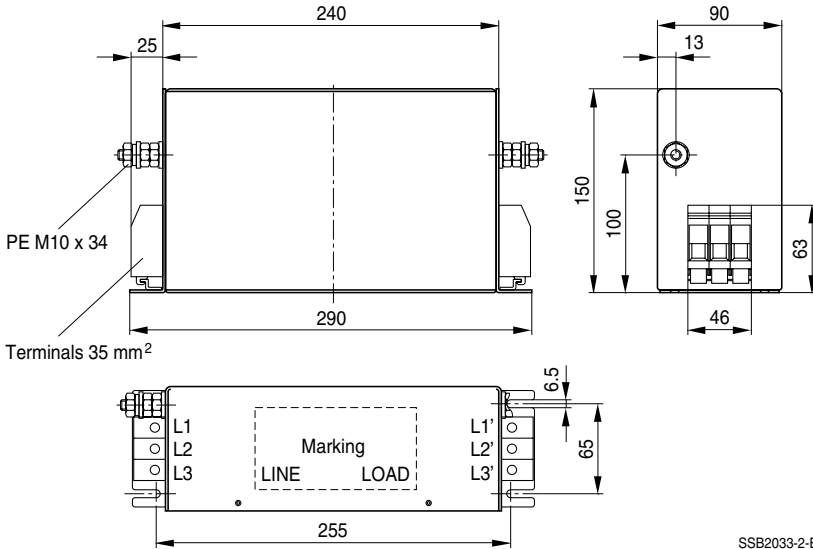
B84143A0066R105



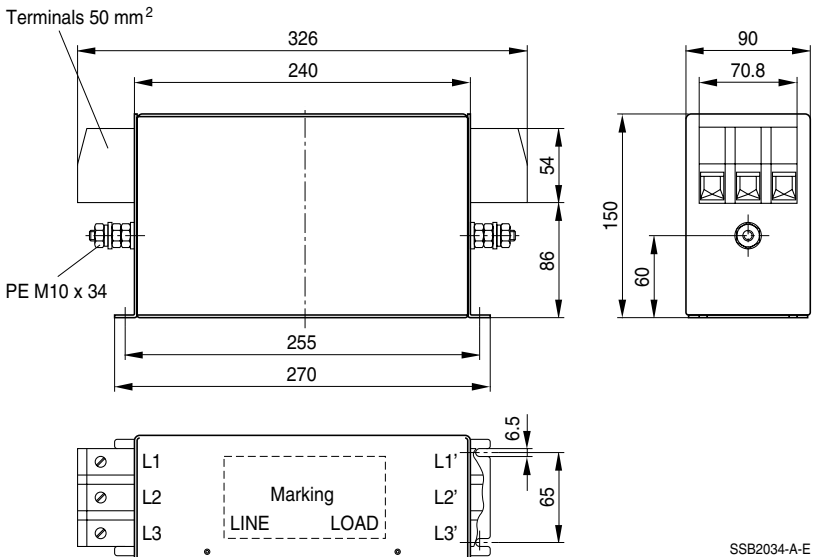
B84143A0090R105



B84143A0120R105



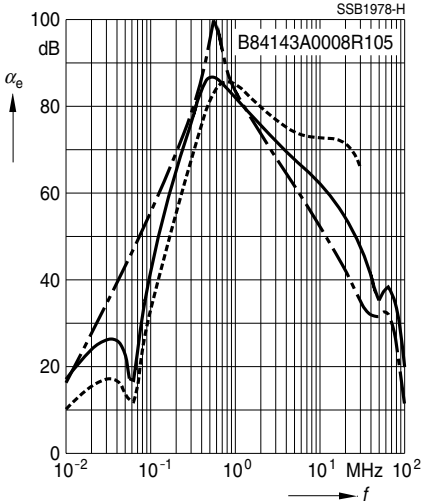
B84143A0150R105



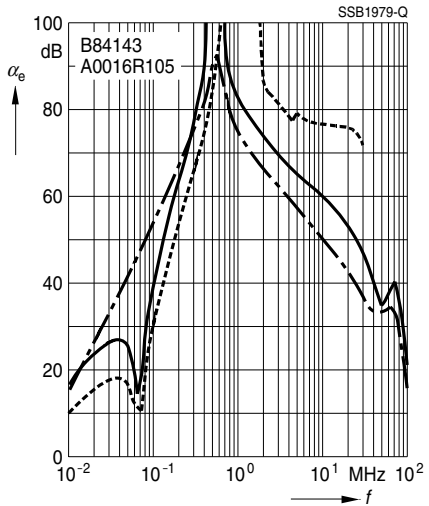
Insertion loss (typical values at $Z = 50 \Omega$)

- unsymmetrical, adjacent branches terminated
- - - - - common mode, all branches in parallel (asymmetrical)
- - - - - differential mode (symmetrical)

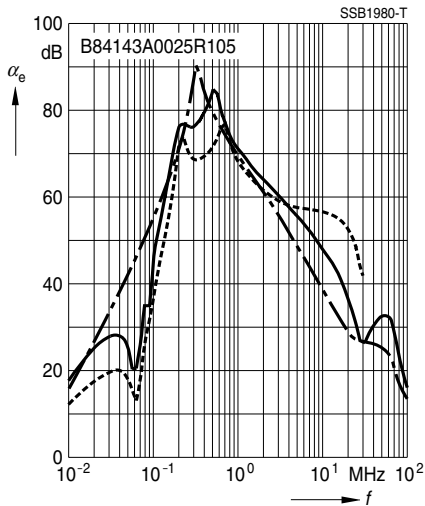
8 Ampere



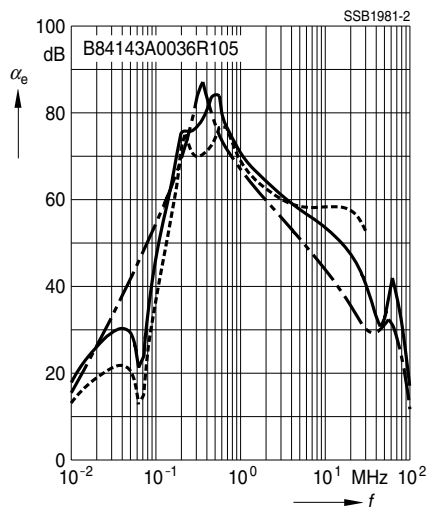
16 Ampere



25 Ampere

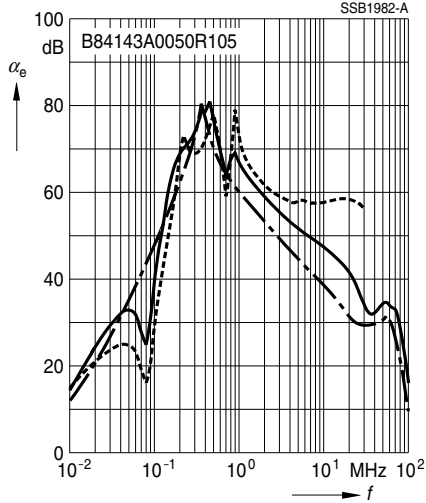
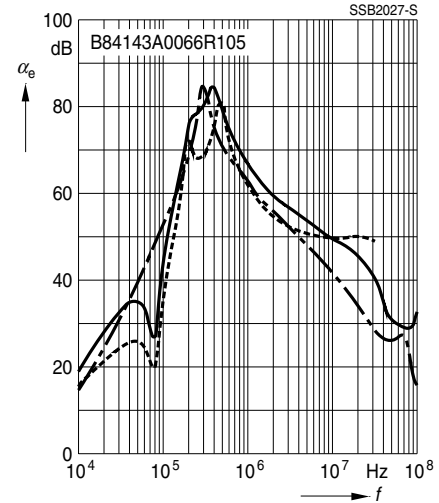
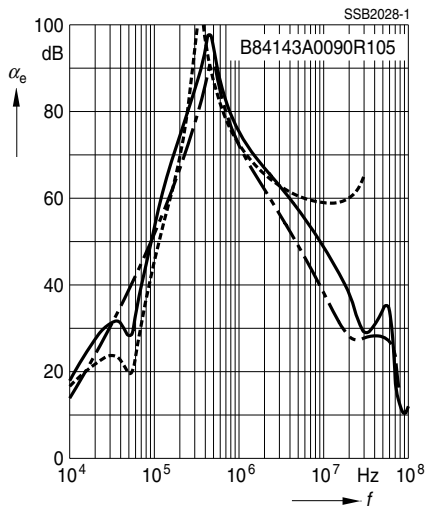
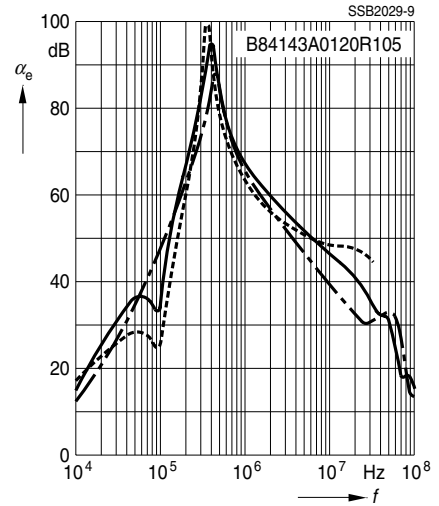


36 Ampere



Insertion loss (typical values at $Z = 50 \Omega$)

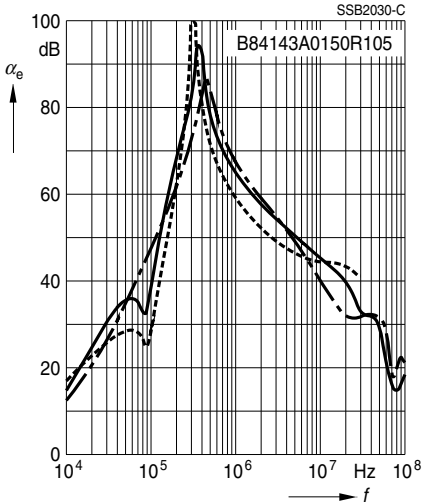
- unsymmetrical, adjacent branches terminated
- - - - - common mode, all branches in parallel (asymmetrical)
- - - - - differential mode (symmetrical)

50 Ampere

66 Ampere

90 Ampere

120 Ampere


Insertion loss (typical values at $Z = 50 \Omega$)

- unsymmetrical, adjacent branches terminated
- - - - - common mode, all branches in parallel (asymmetrical)
- - - - - differential mode (symmetrical)

150 Ampere



Published by EPCOS AG

Corporate Communications, P.O. Box 80 17 09, 81617 Munich, GERMANY

☎ ++49 89 636 09, FAX (0 89) 636-2 26 89

© EPCOS AG 2003. Reproduction, publication and dissemination of this brochure and the information contained therein without EPCOS' prior express consent is prohibited.

Purchase orders are subject to the General Conditions for the Supply of Products and Services of the Electrical and Electronics Industry recommended by the ZVEI (German Electrical and Electronic Manufacturers' Association), unless otherwise agreed.

This brochure replaces the previous edition.

For questions on technology, prices and delivery please contact the Sales Offices of EPCOS AG or the international Representatives.

Due to technical requirements components may contain dangerous substances. For information on the type in question please also contact one of our Sales Offices.