



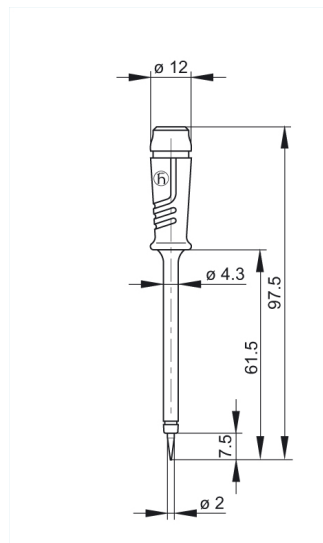
PRUEF 2 schwarz/black

Industrial Connectors:Measuring and Testing Equipment:Test probes:4 mm system

Product description

Description	Test probe with elastic, shatter-proof insulating sleeve. Insulation and oxide layers can be penetrated by the slender stainless steel tip. 4 mm diameter brass socket connection. Accessory tip: protector and IC tap SS 260.
Type	PRUEF 2 schwarz/black
Order No.	973 368-100
System	4 mm system
Housing Color	black
Other standard types	red color, order no. 973 368-101

Drawing



Technical data

Pin dimensions	4 mm
Type of contact	socket
Type of termination	4 mm socket
Rated voltage	DC 60 V
Contact resistance	50 mOhm

Material

Contact material	stainless steel
Contact surface material	nickel-plated
Housing material	PP

Environmental conditions

Temperature range	-25 °C to +80 °C
-------------------	------------------

Inflammability class

Housing	94 HB
---------	-------