

# Modular terminal blocks - CLIPLINE complete

## COMBI plug-in connection solutions

### COMBI plug-in push-in desk-design feed-through and double-level terminal blocks



The COMBI plug-in push-in terminal blocks are characterized by the standard push-in technology system features and those of the CLIPLINE complete system, as well as the following features:

- Compact design also with 3.5 mm pitch
- Uniform, touch-proof plug-in zone
- For nominal currents up to 17.5 A
- For nominal voltages up to 500 V

#### PTS 1,5/S...

- Angled conductor entry for use in flat terminal boxes
- Two and three-conductor terminal blocks of the same shape
- Four function shafts enable all potential distribution tasks to be carried out in a convenient manner

#### PTTBS 1,5/S

- Two bridge shafts on both levels for all potential distribution tasks
- Two large-surface labeling options
- Potential bridging of levels using the

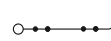
#### FBS 1,5/S-PV vertical potential bridge

#### Terminal strip service

We produce fully pre-assembled terminal strips for fitting straight into the control cabinet or switch system. This simplifies installation, saves time, and cuts costs.

#### Notes:

- 1) The total current of all connected conductors must not exceed the max. load current.
- 2) For derating curve, visit [www.phoenixcontact.net/products](http://www.phoenixcontact.net/products)



1.5 (1.5) mm<sup>2</sup>, 17.5 A, feed-through terminal block, 2 connections



Dimensions		[mm]
<b>Max. electrical data</b>		
Rated voltage	[V]	500
Nominal current / cross section	[A] / [mm <sup>2</sup> ]	17.5 <sup>2</sup> / 1.5
Rated cross section	[mm <sup>2</sup> ]	1.5
Cross section range	AWG	26 - 14
<b>Connection capacity</b>		
1 conductor	[mm <sup>2</sup> ]	0.14 - 1.5
Direct plug-in connection cross sections	[mm <sup>2</sup> ]	0.25 - 1.5
<b>General data</b>		
Stripping length	[mm]	8
Insulating material		PA
Inflammability class according to UL 94		V0

Description	No. of pos.	Color
Terminal block, for mounting on NS 35...		gray
Terminal block, with equipotential bond, for mounting on NS 35...		blue
		gray

Cover, width 2.2 mm		gray
Plug-in bridge		
	2	red
	3	red
	4	red
	5	red
	10	red
	20	red

Vertical potential bridge, to connect the upper and lower level		black
Partition plate, 2 mm width		gray
Test plug metal part, 2.3 mm Ø		
Insulating sleeve, for MPS metal part		red
Coding star, with 4 coding branches, can be inserted in all basic terminal blocks		red
Screwdriver		

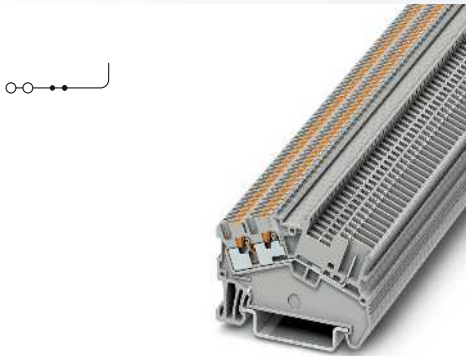
Center groove labeling	
Center and lateral groove labeling	

Technical data				
Width	Length	Height NS 35/7,5		
3.5	50.7	38.5		
I <sub>max</sub> [A]	U <sub>max</sub> [V]	max. Ø [mm <sup>2</sup> ]	AWG	
17.5	500	0.14 - 1.5	26 - 14	
IEC 61984	UL/CUL	CSA	IEC/EN 60079-7	
500	600	-	-	
17.5 <sup>2</sup> / 1.5	15 / -	-	-	
1.5	-	-	-	
26 - 14	26-14	-	-	
solid		stranded		Ferrule
		Without / with plastic sleeve		
0.14 - 1.5	0.14 - 1.5	0.14 - 1.5	0.14 - 1	
0.25 - 1.5	-	0.34 - 1.5	0.34 - 1	

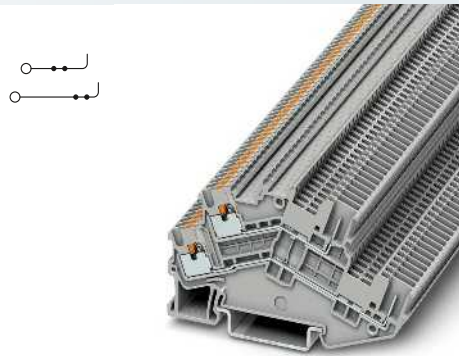
Ordering data			
Type	I <sub>max</sub>	Order No.	Pcs. / Pkt.
PTS 1,5/S/1P		3214453	50
PTS 1,5/S/1P BU		3214466	50

Accessories			
D-PTS 1,5/S		3214576	50
FBS 2-3,5	17.5 A	3213014	50
FBS 3-3,5	17.5 A	3213027	50
FBS 4-3,5	17.5 A	3213030	50
FBS 5-3,5	17.5 A	3213043	50
FBS 10-3,5	17.5 A	3213056	50
FBS 20-3,5	17.5 A	3213069	50
ATP-ST 4		3030721	50
MPS-MT		0201744	10
MPS-IH RD		0201676	10
PC		3040588	50
SZF 0-0,4X2,5		1204504	10

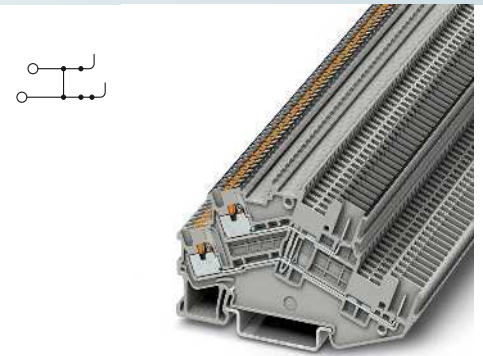
UCT-TM 3,5 or ZB 3,5 (see Catalog 5)	
UCT-TMF 3,5 or ZBF 3,5 (see Catalog 5)	



1.5 (1.5) mm<sup>2</sup>, 17.5 A, feed-through terminal block, 3 connections



1.5 (1.5) mm<sup>2</sup>, 16 A, double-level terminal block



1.5 (1.5) mm<sup>2</sup>, 16 A, double-level terminal block, internally connected levels



Technical data			
Width	Length	Height NS 35/7,5	
3.5	50.7	38.5	
$I_{max}$ [A]	$U_{max}$ [V]	max. Ø [mm <sup>2</sup> ]	AWG
17.5 <sup>1)</sup>	500	0.14 - 1.5	26 - 14
IEC 61984			
IEC	UL/CUL	CSA	IEC/EN 60079-7
500	600	-	-
17.5 <sup>2)</sup> / 1.5	15 / -	-	-
1.5	-	-	-
26 - 14	26-14	-	-
solid	stranded	Ferrule	
Without / with plastic sleeve			
0.14 - 1.5	0.14 - 1.5	0.14 - 1.5	0.14 - 1
0.25 - 1.5	-	0.34 - 1.5	0.34 - 1
8	PA	V0	

Technical data			
Width	Length	Height NS 35/7,5	
3.5	78	55	
$I_{max}$ [A]	$U_{max}$ [V]	max. Ø [mm <sup>2</sup> ]	AWG
16	500	0.14 - 1.5	26 - 14
IEC 61984			
IEC	UL/CUL	CSA	IEC/EN 60079-7
500	600	-	-
16 <sup>2)</sup> / 1.5	15 / -	-	-
1.5	-	-	-
26 - 14	26-14	-	-
solid	stranded	Ferrule	
Without / with plastic sleeve			
0.14 - 1.5	0.14 - 1.5	0.14 - 1.5	0.14 - 1
0.25 - 1.5	-	0.34 - 1.5	0.34 - 1
8	PA	V0	

Technical data			
Width	Length	Height NS 35/7,5	
3.5	78	55	
$I_{max}$ [A]	$U_{max}$ [V]	max. Ø [mm <sup>2</sup> ]	AWG
16 <sup>1)</sup>	500	0.14 - 1.5	26 - 14
IEC 61984			
IEC	UL/CUL	CSA	IEC/EN 60079-7
500	600	-	-
16 <sup>2)</sup> / 1.5	15 / -	-	-
1.5	-	-	-
26 - 14	26-14	-	-
solid	stranded	Ferrule	
Without / with plastic sleeve			
0.14 - 1.5	0.14 - 1.5	0.14 - 1.5	0.14 - 1
0.25 - 1.5	-	0.34 - 1.5	0.34 - 1
8	PA	V0	

Ordering data			
Type	$I_{max}$	Order No.	Pcs. / Pkt.
PTS 1,5/S-TWIN/1P		3214709	50
PTS 1,5/S-TWIN/1P BU		3214712	50

Ordering data			
Type	$I_{max}$	Order No.	Pcs. / Pkt.
PTTBS 1,5/S/2P		3214495	50
PTTBS 1,5/S/2P BU		3214505	50

Ordering data			
Type	$I_{max}$	Order No.	Pcs. / Pkt.
PTTBS 1,5/S/2P-PV		3214521	50

Accessories			
D-PTS 1,5/S		3214576	50
FBS 2-3,5	17.5 A	3213014	50
FBS 3-3,5	17.5 A	3213027	50
FBS 4-3,5	17.5 A	3213030	50
FBS 5-3,5	17.5 A	3213043	50
FBS 10-3,5	17.5 A	3213056	50
FBS 20-3,5	17.5 A	3213069	50
ATP-ST 4		3030721	50
MPS-MT		0201744	10
MPS-IH RD		0201676	10
PC		3040588	50
SZF 0-0,4X2,5		1204504	10

Accessories			
D-PTTBS 1,5/S/2P		3214534	50
FBS 2-3,5	17.5 A	3213014	50
FBS 3-3,5	17.5 A	3213027	50
FBS 4-3,5	17.5 A	3213030	50
FBS 5-3,5	17.5 A	3213043	50
FBS 10-3,5	17.5 A	3213056	50
FBS 20-3,5	17.5 A	3213069	50
FBS 1,5/S-PV		3216263	10
ATP-STTB 4		3030747	50
MPS-MT		0201744	10
MPS-IH RD		0201676	10
PC		3040588	50
SZF 0-0,4X2,5		1204504	10

Accessories			
D-PTTBS 1,5/S/2P		3214534	50
FBS 2-3,5	17.5 A	3213014	50
FBS 3-3,5	17.5 A	3213027	50
FBS 4-3,5	17.5 A	3213030	50
FBS 5-3,5	17.5 A	3213043	50
FBS 10-3,5	17.5 A	3213056	50
FBS 20-3,5	17.5 A	3213069	50
ATP-STTB 4		3030747	50
MPS-MT		0201744	10
MPS-IH RD		0201676	10
PC		3040588	50
SZF 0-0,4X2,5		1204504	10

UCT-TM 3,5 or ZB 3,5  
(see Catalog 5)  
UCT-TMF 3,5 or ZBF 3,5  
(see Catalog 5)

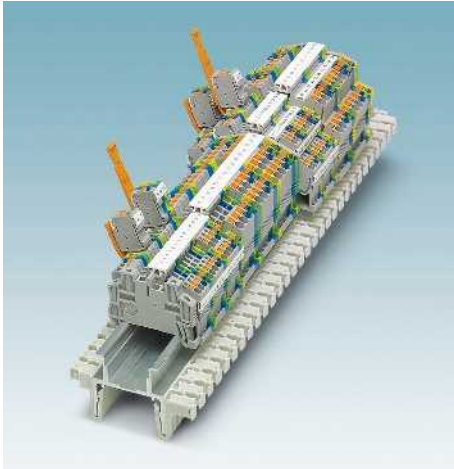
UCT-TM 3,5 or ZB 3,5  
(see Catalog 5)  
UCT-TMF 3,5 or ZBF 3,5  
(see Catalog 5)

UCT-TM 3,5 or ZB 3,5  
(see Catalog 5)  
UCT-TMF 3,5 or ZBF 3,5  
(see Catalog 5)

# Modular terminal blocks - CLIPLINE complete

## COMBI plug-in connection solutions

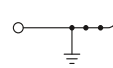
### PTS ...-PE, PTTBS ...-PE COMBI plug-in push-in desk-design ground terminal blocks



- Same shape and pitch as the feed-through terminal blocks
- Contact is made free from mechanical and electrical errors by simply snapping onto the DIN rail
- All the requirements of standard IEC 60947-7-2 are met

CLIP PROJECT Planning enables the quick and convenient planning and configuration of fault-free terminal strips.

**Notes:**  
For current carrying capacity of DIN rails, see page 716.



1.5 (1.5) mm<sup>2</sup>, ground terminal block, 2 connections



Dimensions		Technical data			
	[mm]	Width	Length	Height NS 35/7,5	
		3.5	50.7	38.5	
<b>Max. electrical data</b>				max. Ø [mm <sup>2</sup> ]	AWG
				0.14 - 1.5	26 - 14
<b>Rated data</b>		IEC 61984	UL/CUL	CSA	IEC/EN 60079-7
Rated voltage	[V]	-	-	-	-
Nominal current / cross section	[A] / [mm <sup>2</sup> ]	-	- / -	-	-
Rated cross section	[mm <sup>2</sup> ]	1.5	-	-	-
Cross section range	AWG	26 - 14	26-14	-	-
<b>Connection capacity</b>		solid		stranded Ferrule	
				Without / with plastic sleeve	
1 conductor	[mm <sup>2</sup> ]	0.14 - 1.5	0.14 - 1.5	0.14 - 1.5	0.14 - 1
Direct plug-in connection cross sections	[mm <sup>2</sup> ]	0.25 - 1.5	-	0.34 - 1.5	0.34 - 1
<b>General data</b>					
Stripping length	[mm]	8			
Insulating material		PA			
Inflammability class according to UL 94		V0			

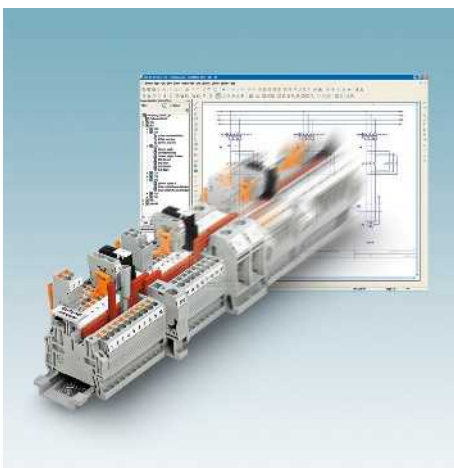
Description	No. of pos.	Color
Ground terminal block, for mounting on NS 35...		green-yellow

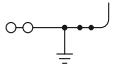
Ordering data		
Type	Order No.	Pcs. / Pkt.
PTS 1,5/S/1P-PE	3214479	50

Accessories		
Cover, width 2.2 mm		gray
Plug-in bridge		
	2	red
	3	red
	4	red
	5	red
	10	red
	20	red
Partition plate, 2 mm width		gray
Test plug metal part, 2.3 mm Ø		
Insulating sleeve, for MPS metal part		red
Coding star, with 4 coding branches, can be inserted in all basic terminal blocks		red
Screwdriver		

Accessories		
Type	Order No.	Pcs. / Pkt.
D-PTS 1,5/S	3214576	50
FBS 2-3,5	3213014	50
FBS 3-3,5	3213027	50
FBS 4-3,5	3213030	50
FBS 5-3,5	3213043	50
FBS 10-3,5	3213056	50
FBS 20-3,5	3213069	50
ATP-ST 4	3030721	50
MPS-MT	0201744	10
MPS-IH RD	0201676	10
PC	3040588	50
SZF 0-0,4X2,5	1204504	10

Center groove labeling	UCT-TM 3,5 or ZB 3,5 (see Catalog 5)
Center and lateral groove labeling	UCT-TMF 3,5 or ZBF 3,5 (see Catalog 5)





1.5 (1.5) mm<sup>2</sup>, ground terminal block,  
3 connections



1.5 (1.5) mm<sup>2</sup>, double-level ground terminal  
block



Technical data			
Width	Length	Height NS 35/7,5	
3.5	50.7	38.5	
		max. Ø [mm <sup>2</sup> ]	AWG
		0.14 - 1.5	26 - 14
IEC 61984			
IEC	UL/CUL	CSA	IEC/ EN 60079-7
-	-	-	-
-	-/-	-	-
1.5	-	-	-
26 - 14	26-14	-	-
solid	stranded	Ferrule	
		Without / with plastic sleeve	
0.14 - 1.5	0.14 - 1.5	0.14 - 1.5	0.14 - 1
0.25 - 1.5	-	0.34 - 1.5	0.34 - 1
8			
PA			
V0			

Technical data			
Width	Length	Height NS 35/7,5	
3.5	78	55	
		max. Ø [mm <sup>2</sup> ]	AWG
		0.14 - 1.5	26 - 14
IEC 61984			
IEC	UL/CUL	CSA	IEC/ EN 60079-7
-	-	-	-
-	-/-	-	-
1.5	-	-	-
26 - 14	26-14	-	-
solid	stranded	Ferrule	
		Without / with plastic sleeve	
0.14 - 1.5	0.14 - 1.5	0.14 - 1.5	0.14 - 1
0.25 - 1.5	-	0.34 - 1.5	0.34 - 1
8			
PA			
V0			

Ordering data		
Type	Order No.	Pcs. / Pkt.
PTS 1,5/S-TWIN/1P-PE	3214725	50

Ordering data		
Type	Order No.	Pcs. / Pkt.
PTBS 1,5/S/2P-PE	3214518	50

Accessories		
D-PTS 1,5/S	3214576	50
FBS 2-3,5	3213014	50
FBS 3-3,5	3213027	50
FBS 4-3,5	3213030	50
FBS 5-3,5	3213043	50
FBS 10-3,5	3213056	50
FBS 20-3,5	3213069	50
ATP-ST 4	3030721	50
MPS-MT	0201744	10
MPS-IH RD	0201676	10
PC	3040588	50
SZF 0-0,4X2,5	1204504	10

Accessories		
D-PTBS 1,5/S/2P	3214534	50
FBS 2-3,5	3213014	50
FBS 3-3,5	3213027	50
FBS 4-3,5	3213030	50
FBS 5-3,5	3213043	50
FBS 10-3,5	3213056	50
FBS 20-3,5	3213069	50
ATP-STTB 4	3030747	50
MPS-MT	0201744	10
MPS-IH RD	0201676	10
PC	3040588	50
SZF 0-0,4X2,5	1204504	10

UCT-TM 3,5 or ZB 3,5  
(see Catalog 5)  
UCT-TMF 3,5 or ZBF 3,5  
(see Catalog 5)

UCT-TM 3,5 or ZB 3,5  
(see Catalog 5)  
UCT-TMF 3,5 or ZBF 3,5  
(see Catalog 5)