

Modular terminal blocks - CLIPLINE complete

COMBI plug-in connection solutions

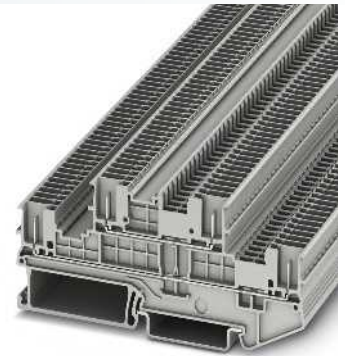
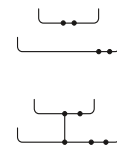
COMBI plug-in PIN/PIN double-level and ground terminal blocks



- For the PIN/PIN versions of the COMBI series, plugs can be used on both sides of the terminal blocks
- This makes the COMBI system even more flexible as the terminal blocks are used as the connection element for modules
- Connection with standard COMBI plugs
- The extensive range of accessories, such as latching, strain relief, coding, and shield connection can be used
- Ground terminal blocks of the same shape and pitch
- Contact is made free from mechanical and electrical errors by simply snapping onto the DIN rail
- All the requirements of standard IEC 60947-7-2 are met

CLIP PROJECT Planning enables the quick and convenient planning and configuration of fault-free terminal strips.

Notes:
For current carrying capacity of DIN rails, see page 716.
1) The total current of all connected conductors must not exceed the max. load current.
2) For derating curve, visit www.phoenixcontact.net/products



1.5 (1.5) mm², 16 A, double-level terminal block



Dimensions	
	[mm]
Max. electrical data	
Rated voltage	[V]
Nominal current / cross section	[A] / [mm ²]
Rated cross section	[mm ²]
Cross section range	AWG
Connection capacity of the usable plugs	
1 conductor	[mm ²]
Direct plug-in connection cross sections	[mm ²]
General data	
Stripping length	[mm]
Insulating material	
Inflammability class according to UL 94	

Technical data				
Width	Length	Height NS 35/7,5		
3.5	93.9	42.6		
I _{max} [A]	U _{max} [V]	max. Ø [mm ²]	AWG	
16 ²	500	0.14 - 1.5	26 - 14	
IEC 61984				
IEC	UL/CUL	CSA	IEC/EN 60079-7	
500	300	-	-	
16 ² / 1.5	15 / -	-	-	
1.5	-	-	-	
26 - 14	-	-	-	
Connection capacity of the usable plugs		solid	stranded	Ferrule
		Without / with plastic sleeve		
0.14 - 1.5	0.14 - 1.5	0.14 - 1.5	0.14 - 1	
0.25 - 1.5	-	0.34 - 1.5	0.34 - 1	
8				
PA				
V0				

Description	No. of pos.	Color
Terminal block, for mounting on NS 35...		gray
		blue
Terminal block, with equipotential bonder, for mounting on NS 35... ¹⁾		gray
Ground terminal block, for mounting on NS 35...		green-yellow

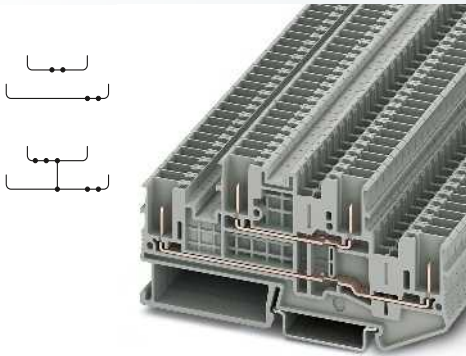
Ordering data			
Type	I _{max}	Order No.	Pcs. / Pkt.
PTTB 1,5/S/4P		3213865	50
PTTB 1,5/S/4P BU		3213878	50
PTTB 1,5/S/4P-PV		3213852	50

Accessories		
Cover, width 2.2 mm	gray	
Plug-in bridge		
	2	red
	3	red
	4	red
	5	red
	10	red
	20	red
Vertical potential bridge, to connect the upper and lower level		black
Partition plate, 2 mm width		gray
Test adapter, 4-mm test socket hole		gray
Test plug metal part, 2.3 mm Ø		
Insulating sleeve, for MPS metal part		red
Modular test plug, for the individual assembly of test plug strips		red
Coding star, with 4 coding branches, can be inserted in all basic terminal blocks		red

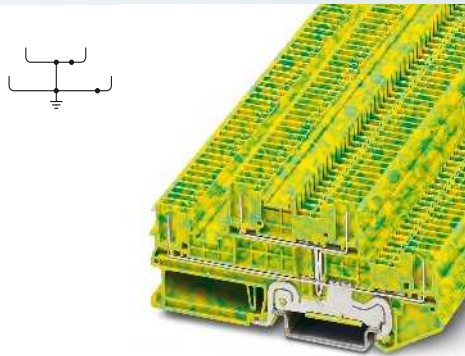
Accessories		
D-PTTB 1,5/S/4P		3213894 50
FBS 2-3,5	17.5 A	3213014 50
FBS 3-3,5	17.5 A	3213027 50
FBS 4-3,5	17.5 A	3213030 50
FBS 5-3,5	17.5 A	3213043 50
FBS 10-3,5	17.5 A	3213056 50
FBS 20-3,5	17.5 A	3213069 50
FBS 1,5/S-PV		3216263 10
ATP-STTB 4		3030747 50
PC		3040588 50

Center groove labeling
Center and lateral groove labeling

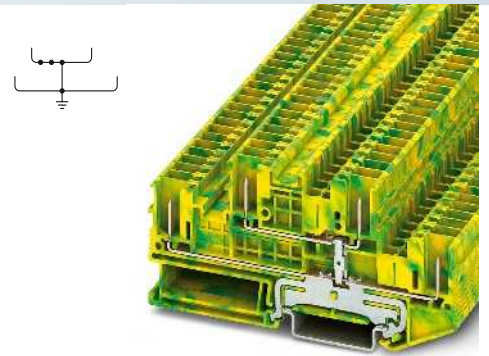
UCT-TM 3,5 or ZB 3,5 (see Catalog 5)
UCT-TMF 3,5 or ZBF 3,5 (see Catalog 5)



2.5 (4) mm², 22 A, double-level terminal block



1.5 (1.5) mm², double-level ground terminal block



2.5 (4) mm², double-level ground terminal block



Technical data				
Width	Length	Height NS 35/7,5		
5.2	98.8	47.5		
I_{max} [A]	U_{max} [V]	max. Ø [mm ²]	AWG	
22 ²	500	0.08 - 4	28 - 12	
IEC 61984				
IEC	UL/CUL	CSA	IEC/EN 60079-7	
500	600	600	-	
22 ² / 2.5	20 / -	20	-	
2.5	-	-	-	
28 - 12	-	-	-	
solid	stranded	Ferrule		
		Without / with plastic sleeve		
0.08 - 4	0.08 - 2.5	0.14 - 2.5	0.14 - 2.5	
-	-	-	-	
10	PA	V0		

Technical data				
Width	Length	Height NS 35/7,5		
3.5	93.9	42.6		
I_{max} [A]	U_{max} [V]	max. Ø [mm ²]	AWG	
12	250	0.14 - 1.5	26 - 14	
IEC 61984				
IEC	UL/CUL	CSA	IEC/EN 60079-7	
-	-	-	-	
-	- / -	-	-	
1.5	-	-	-	
26 - 14	-	-	-	
solid	stranded	Ferrule		
		Without / with plastic sleeve		
0.14 - 1.5	0.14 - 1.5	0.14 - 1.5	0.14 - 1	
0.25 - 1.5	-	0.34 - 1.5	0.34 - 1	
12	PA	V0		

Technical data				
Width	Length	Height NS 35/7,5		
5.2	98.8	47.5		
I_{max} [A]	U_{max} [V]	max. Ø [mm ²]	AWG	
22 ²	500	0.08 - 4	28 - 12	
IEC 61984				
IEC	UL/CUL	CSA	IEC/EN 60079-7	
-	-	-	-	
-	- / -	-	-	
2.5	-	-	-	
28 - 12	-	-	-	
solid	stranded	Ferrule		
		Without / with plastic sleeve		
0.08 - 4	0.08 - 2.5	0.14 - 2.5	0.14 - 2.5	
-	-	-	-	
10	PA	V0		

Ordering data			
Type	I_{max}	Order No.	Pcs. / Pkt.
STTB 2,5/4P		3061486	50
STTB 2,5/4P BU		3061512	50
STTB 2,5/4P-PV		3061509	50

Ordering data			
Type		Order No.	Pcs. / Pkt.
PTTB 1,5/S/4P-PE		3213881	50

Ordering data			
Type		Order No.	Pcs. / Pkt.
STTB 2,5/4P-PE		3061499	50

Accessories			
D-STTB 2,5/4P		3061538	50
FBS 2-5	24 A	3030161	50
FBS 3-5	24 A	3030174	50
FBS 4-5	24 A	3030187	50
FBS 5-5	24 A	3030190	50
FBS 10-5	24 A	3030213	10
FBS 20-5	24 A	3030226	10
FBS-PV		3032185	50
ATP-STTB 4		3030747	50
PAI-4-N GY		3032871	10
MPS-MT		0201744	10
MPS-IH RD		0201676	10
PS-5		3030983	10
PC		3040588	50

Accessories			
D-PTTB 1,5/S/4P		3213894	50
FBS 2-3,5		3213014	50
FBS 3-3,5		3213027	50
FBS 4-3,5		3213030	50
FBS 5-3,5		3213043	50
FBS 10-3,5		3213056	50
FBS 20-3,5		3213069	50
ATP-STTB 4		3030747	50
PC		3040588	50

Accessories			
D-STTB 2,5/4P		3061538	50
FBS 2-5		3030161	50
FBS 3-5		3030174	50
FBS 4-5		3030187	50
FBS 5-5		3030190	50
FBS 10-5		3030213	10
FBS 20-5		3030226	10
ATP-STTB 4		3030747	50
PAI-4-N GY		3032871	10
MPS-MT		0201744	10
MPS-IH RD		0201676	10
PS-5		3030983	10
PC		3040588	50

UC-TM 5, UCT-TM 5 or ZB 5
(see Catalog 5)

UCT-TM 3,5 or ZB 3,5
(see Catalog 5)
UCT-TMF 3,5 or ZBF 3,5
(see Catalog 5)

UC-TM 5, UCT-TM 5 or ZB 5
(see Catalog 5)