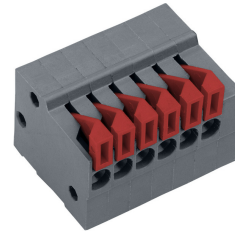


AKZ4791/..KD-2.54-H-BASALT GREY




1- to n-poles



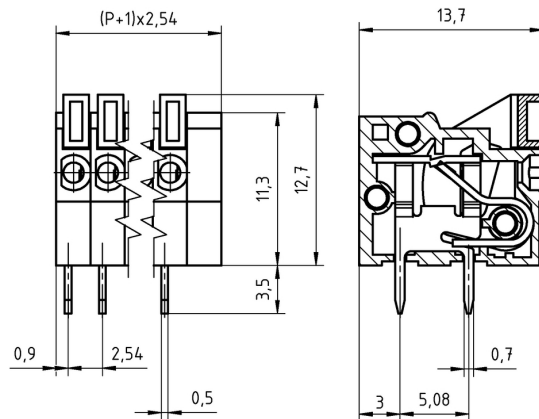
Technical Data

Wire Sizes		Insulating Material	
Solid min	0.14 mm ²	Material	PBT
solid max	0.75 mm ²	Flammability Class	UL 94 V-0
Stranded (flexible)		Temperatures	
min	0.14 mm ²	Operating Temperature	-30 °C - 105 °C
Stranded (flexible) max		Wave Soldering Process	
0.75 mm ²		Soldering Temperature, recommended	265 °C
Stranded with Ferrule min		Peak Soldering Time, recommended	3-4 s
0.14 mm ²		Reflow Process	
Stranded with Ferrule max		Soldering Temperature, recommended	-
0.14 mm ²		Peak Soldering Time, recommended	-
Dimensions			
Stripped Length	10.0 mm		
PCB Hole Diameter	1.2 mm		
Materials			
Solder Tag	Brass		
Clamp Spring	Stainless Steel		

Colours

	BASALT GREY, RAL7012
	GREEN, RAL6018
	LIGHT GREEN, similar RAL 6018

Colours according to RAL, there may be variations on colour due to production conditions.
Special colours on request.



Order Data (Spacing 2.54 mm)

Poles	Width (mm)	Article Designation	Article Number	PU
2	7.62	AKZ4791/2KD-2.54-H-BASALT GREY	54791020422F	200
3	10.16	AKZ4791/3KD-2.54-H-BASALT GREY	54791030422F	200
4	12.70	AKZ4791/4KD-2.54-H-BASALT GREY	54791040422F	200
5	15.24	AKZ4791/5KD-2.54-H-BASALT GREY	54791050422E	100
6	17.78	AKZ4791/6KD-2.54-H-BASALT GREY	54791060422E	100
7	20.32	AKZ4791/7KD-2.54-H-BASALT GREY	54791070422E	100
8	22.86	AKZ4791/8KD-2.54-H-BASALT GREY	54791080422D	50
9	25.40	AKZ4791/9KD-2.54-H-BASALT GREY	54791090422D	50
10	27.94	AKZ4791/10KD-2.54-H-BASALT GREY	54791100422D	50
11	30.48	AKZ4791/11KD-2.54-H-BASALT GREY	54791110422D	50
12	33.02	AKZ4791/12KD-2.54-H-BASALT GREY	54791120422D	50

Ratings



Usegroup	B	C	D		
Rated Voltage	150 V	-	-	130 V	
Rated Current	6 A	-	-	9 A	
Rated Wire Size	solid	AWG 26-20	-	min	max
	stranded	AWG 26-20	-	0.2 mm ²	0.75 mm ²
Test Voltage	1.3 kV	-	-	1.25 kV	

* Approval Pending