

Overview ..... 0

Cabinets ..... 1

Wall mounted cases ..... 2

Accessories for cabinets and wall mounted cases .... 3

Climate control .... 4

**Desk-top cases .... 5**

Subracks/  
19" chassis ..... 6

Front panels,  
plug-in units ..... 7

Systems ..... 8

Power supply  
units ..... 9

Backplanes ..... 10

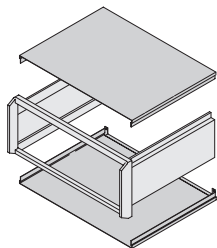
Connectors, front  
panel component  
system ..... 11

Appendix ..... 12

## Desk-top cases - *propac*PRO

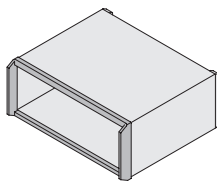


05809001



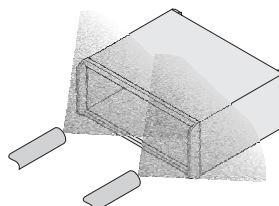
05806052

Easy access provided by removable cladding parts



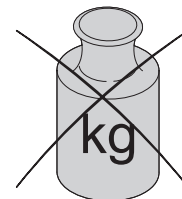
05806050

Extremely robust one-piece die-cast frame



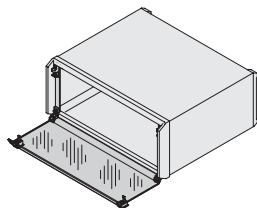
05806055

Non-sensitive, scratch-resistant finish through powder coating



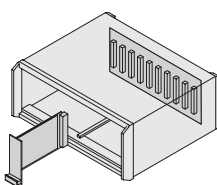
05806056

Low weight



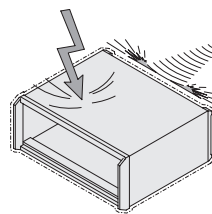
05806054

Wide accessory programme with acrylic glass front hoods, carrying handles, ...



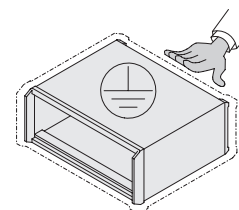
05806053

Assembly possibility for euroboards and backplanes



05806051

EMC version



noa44075

VDE-compliant GND/earthing

### Standards

- Internal dimensions conform to IEC 60297-3-101
- Ingress protection IP 20 in accordance with IEC 60529
- EMC test in accordance with VG 95373 part 15
- Protective GND/earth connections according to:
  - DIN EN 50178 / VDE 0160
  - DIN EN 60950 / VDE 0805
  - DIN EN 61010-1 / VDE 0411 part 1
  - DIN EN 61010-1A2 / VDE 0411 part 1/A1



Downloads and further important information can be found on the Internet under [www.schroff.biz](http://www.schroff.biz)



## Desk-top cases - *propacPRO*

Overview . . . . 5.40

### Aluminium case for 19" components or individual electronics assemblies

- Front and rear identical, depth-symmetrical construction
- Extensive range of accessories focussed on portable applications
- High EMC shielding starting with the basic version
- Alternative to compacPRO



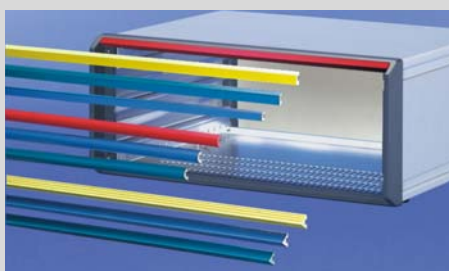
#### Desk-top enclosure

- Complete case (pre-mounted)
  - Prepared for 19" assemblies
  - Shielded or unshielded
  - 3 U, 6 U



05809003 05806003

- Case
  - EMC shielding retrofittable
  - 2 U, 3 U, 4 U, 6 U



05809002

#### Variable design options

- Individual design elements and colour schemes



30407004

#### ServicePLUS from page 5.110

e.g. modifications (special colours, special depths, cut-outs in top cover, base plate or side panels)  
e.g. assembly service from 1 piece

[www.schroff.biz/serviceplus/](http://www.schroff.biz/serviceplus/)

#### propacPRO

Complete cases	
3, 6 U, unshielded/ shielded . . . . .	5.42
Cases 2, 3 U . . . . .	5.46
Cases 4, 6 U . . . . .	5.47
Dimensions . . . . .	5.48
EMC shielding . . . . .	5.48

#### Accessories

Front panels . . . . .	5.49
Rear panels . . . . .	5.50
Design elements . . . . .	5.53
Lateral covers . . . . .	5.54
Handles . . . . .	5.55
Air filters . . . . .	5.56
Hoods . . . . .	5.57
Mounting plates . . . . .	5.59
GND/earthing kit . . . . .	5.60
Cable holder . . . . .	5.60
Mounting position horizontal/central rails . . . . .	5.61
Horizontal rails . . . . .	5.62
Threaded inserts . . . . .	5.63
Z-rails, perforated rails . . . . .	5.64
Combined mounting . . . . .	5.65
Horizontal boards assembly . . . . .	5.66
Tip-up feet . . . . .	5.67
Guide rails and ESD clips . . . . .	5.68
Divider plates . . . . .	5.70
Air flow barrier . . . . .	5.70

ServicePLUS 5.110



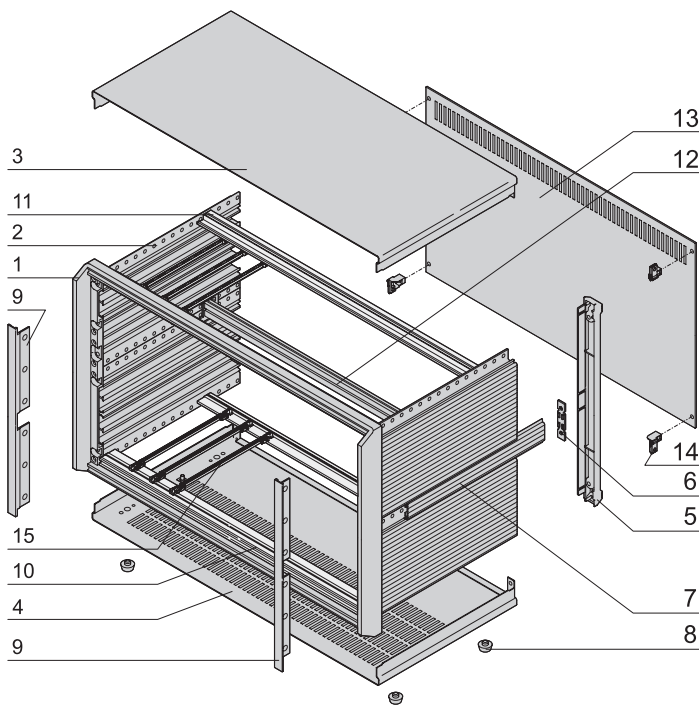
## Desk-top enclosure - *propac*PRO

### Complete case, unshielded



3 U

05806001



05806105

Maximum mounting depth = D - 45  
(Distance: Front panel - Rear panel)



ServicePLUS see page 5.110

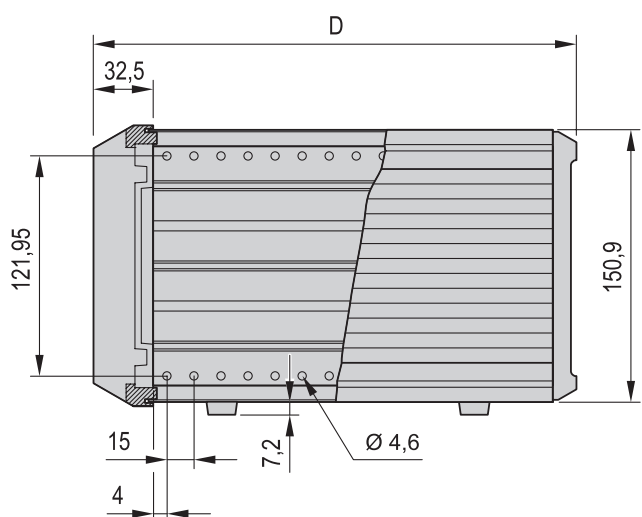
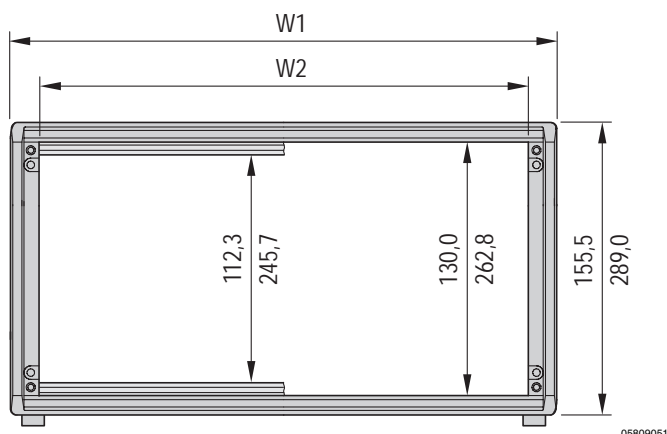
- Desk-top enclosure with pre-configured components to IEC 60297-3-101; prepared for 19" components such as plug-in units and euroboards
- Ventilation slots in base plate
- Rear panel with vent slots

### Delivery comprises (Items 1-7, 9 and 10 fitted)

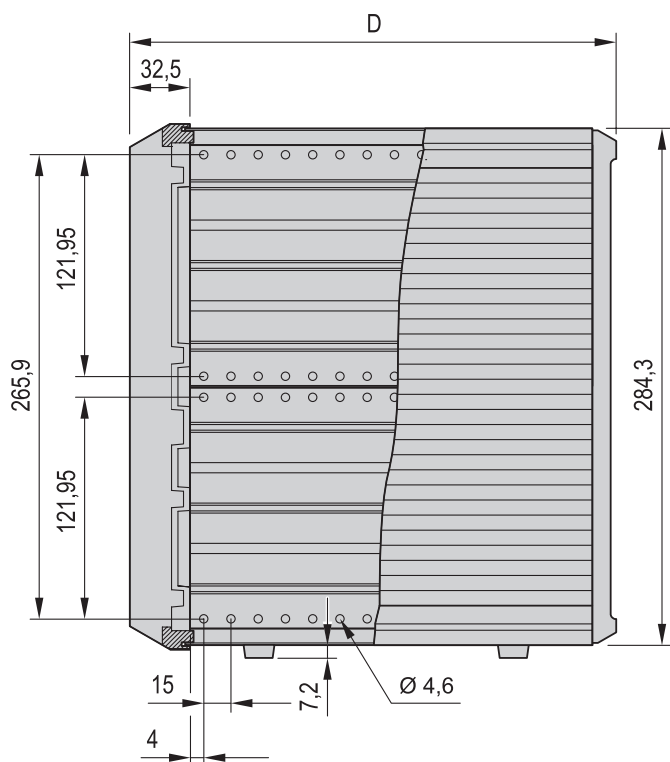
Item	Qty		Description
	3 U	6 U	
1	1	1	Frame, Al die-cast, powder-coated, RAL 7016
2	2	4	Side panel, Al extrusion, powder-coated, RAL 9006
3	1	1	Cover plate, Al, 1 mm, internal surface conductive, visible surface powder-coated, RAL 9006, with GND/earthing tag
4	1	1	Base plate, Al, 1 mm, internal surface conductive, visible surface powder-coated, RAL 9006, with GND/earthing tag, base plate with 4 rows of ventilation slots
5	2	2	Foot for rear panel, ABS, RAL 7016, UL 94 V-0
6	-	2	Adaptor bracket (only at 6 U)
7	-	2	Cover trim for side panel, Al extrusion, powder-coated, RAL 9006
8	4	4	Case foot with anti-slip protection, PC, black, UL 94 V-0
9	2	2	Lateral trim, Al extrusion, visible surface painted RAL 7016
10	2	2	Horizontal rail, Al extrusion, with threaded insert, St, M2.5
11	2	2	Rear horizontal rail, Al extrusion, with threaded insert, St, M2.5, and insulation strips, PBT, UL 94 V-0 (for indirect backplane mounting)
12	-	1	Centre horizontal rail, Al extrusion, anodised, conductive surfaces, with two threaded inserts, St, M2.5, and two insulation strips, PBT, UL 94 V-0
13	1	1	Rear panel with perforation, Al, anodised, 2 mm at 28, 42 and 63 HP, 2.5 mm at 84 HP
14	4	4	Support member for rear panel, Zn die-cast
15	10/ 20	10/ 20	Guide rail for 160 mm board length, PBT, UL 94 V-0, 28/42 HP, 10 pieces, 63/84 HP, 20 pieces
16	1	1	GND/earthing kit
17	1	1	Assembly kit

# Desk-top enclosure - *propac*PRO

## Complete cases, unshielded



3 U



6 U

### Order Information

Usable width	Width	Depth	Height	Part no.	
W2	W2	W1	D		
HP	mm	mm	mm	U	
28	147.3	185.9	266	3	<b>24576-001</b>
28	147.3	185.9	326	3	<b>24576-002</b>
42	218.4	257	266	3	<b>24576-003</b>
42	218.4	257	326	3	<b>24576-004</b>
42	218.4	257	386	3	<b>24576-005</b>
63	325.1	363.7	266	3	<b>24576-006</b>
63	325.1	363.7	326	3	<b>24576-007</b>
63	325.1	363.7	386	3	<b>24576-008</b>
84	431.8	470.3	266	3	<b>24576-009</b>
84	431.8	470.3	326	3	<b>24576-010</b>
84	431.8	470.3	386	3	<b>24576-011</b>
84	431.8	470.3	446	3	<b>24576-012</b>
84	431.8	470.3	506	3	<b>24576-013</b>
84	431.8	470.3	326	6	<b>24576-021</b>
84	431.8	470.3	446	6	<b>24576-022</b>

Maximum mounting depth = D - 45  
(Distance: Front panel - Rear panel)

### Note

- Dimension drawings of side panel see from page 5.48

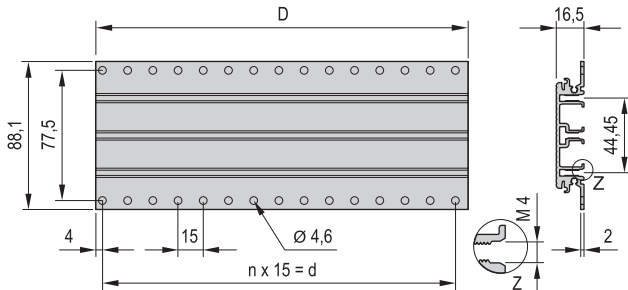


For further information [www.schroff.biz/oneclick](http://www.schroff.biz/oneclick)  
oneClick search code = Part no.

# Desk-top enclosure - *propac*PRO

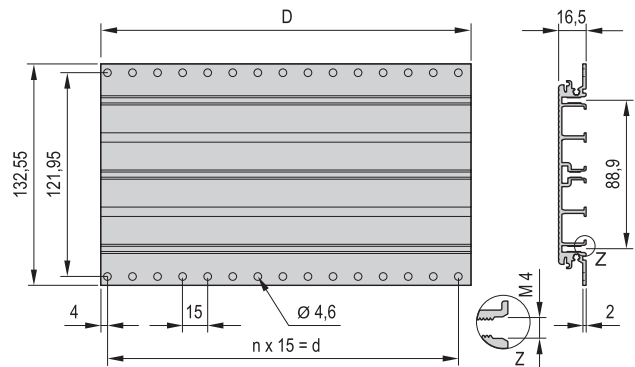
## Dimensions

Extruded side panel 2 U



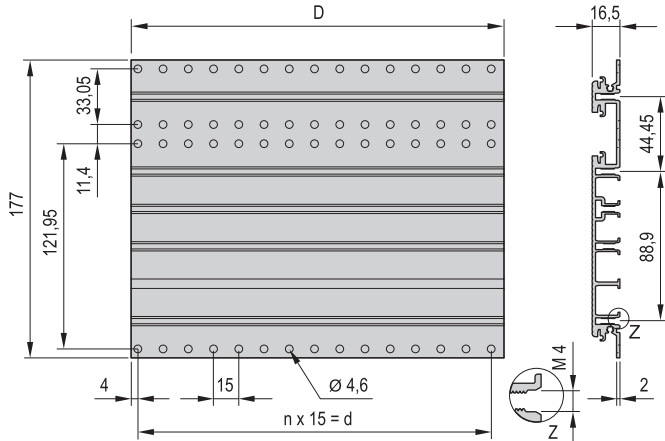
05806079

Extruded side panel 3 U



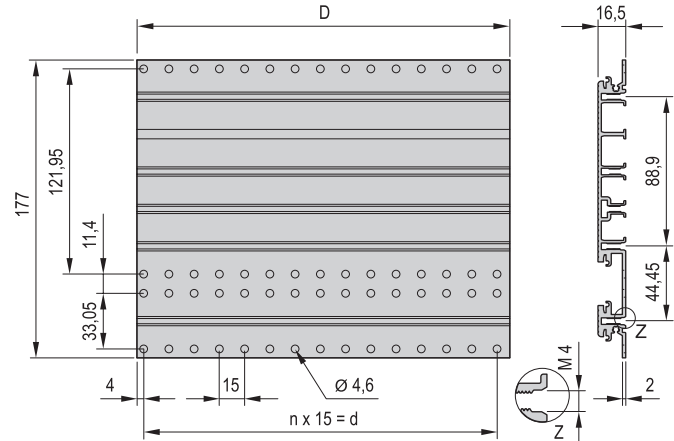
05806080

Extruded side panel 4 U, right



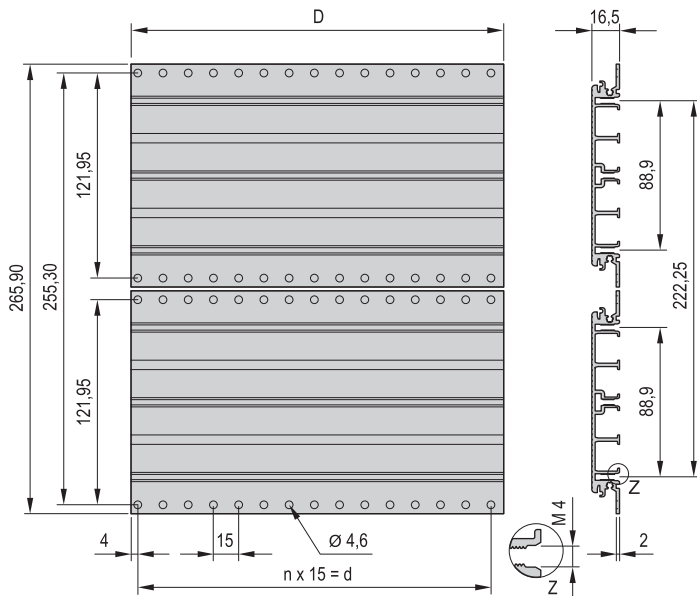
05806081

Extruded side panel 4 U, left



05806082

Extruded side panel 6 U



05806083

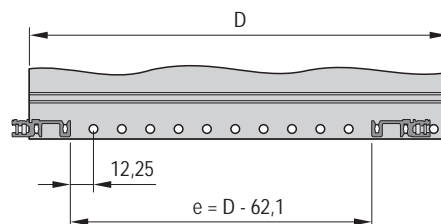
Dimensions table

For case depth	D	d	n
mm	mm	mm	
266	221.6	210	14
326	281.6	270	18
386	341.6	330	22
446	401.6	390	26
506	461.6	450	30

### Note

A side panel for case 6 U consists of 2 pieces 3 U extruded side panels

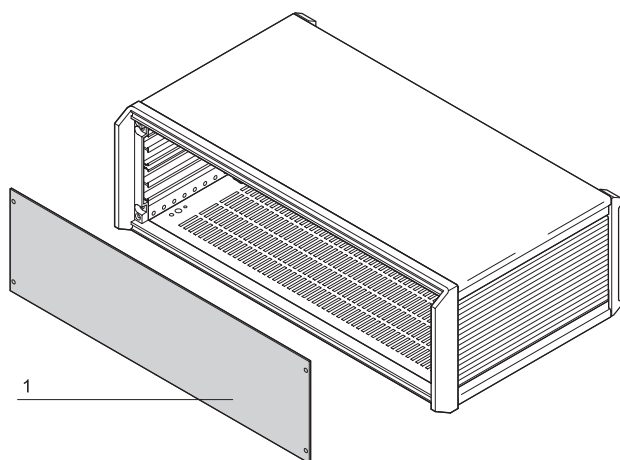
### Side panel with horizontal rail



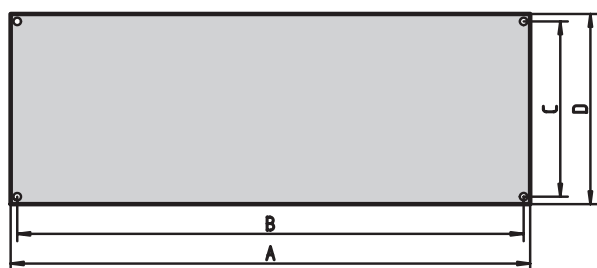
05806107

# Desk-top enclosure - *propac*PRO

## Full-width front panels, unshielded



1



05806063

PPA43756

- Assembly directly on the case frame

### Delivery comprises

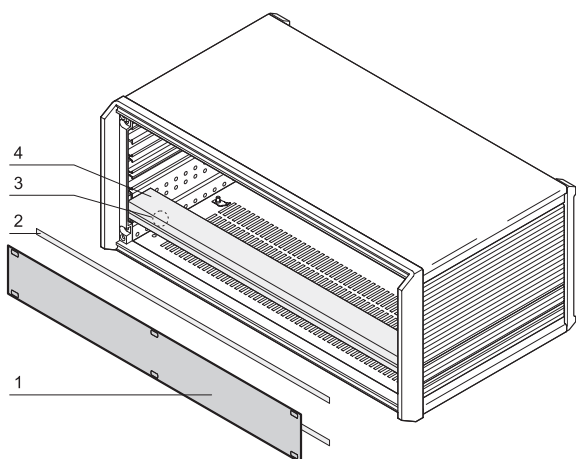
Item	Qty	Description
1	1	Full-width front panel, Al, 2 mm (on 84 HP = 2.5 mm), anodised, cut edges plain
2	1	Assembly kit

### Order Information

For case height	For case width	A	B	C	D	Part no.
U	HP	mm	mm	mm	mm	
2	42	238.7	230	74	84	<b>20850-128</b>
2	63	345.4	336.7	74	84	<b>20850-129</b>
2	84	452	443.3	74	84	<b>20850-130</b>
3	28	167.6	158.9	118.5	128.5	<b>20850-134</b>
3	42	238.7	230	118.5	128.5	<b>20850-135</b>
3	63	345.4	336.7	118.5	128.5	<b>20850-136</b>
3	84	452	443.3	118.5	128.5	<b>20850-137</b>
4	42	238.7	230	162.9	172.9	<b>20850-142</b>
4	63	345.4	336.7	162.9	172.9	<b>20850-143</b>
4	84	452	443.3	162.9	172.9	<b>20850-144</b>
6	84	452	443.3	258.8	261.8	<b>20850-158</b>

- EMC front panel see chapter Front Panel , page 7.7

## Front panels 1 U, for 4 U case, unshielded

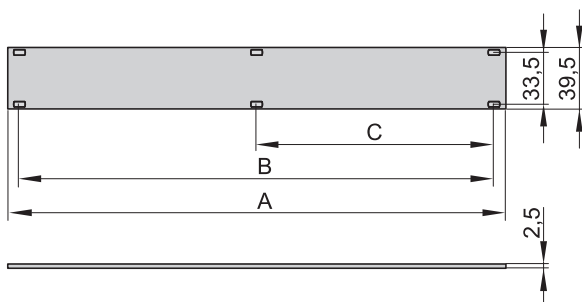


4

3

2

1



05806064

05806065

- Assembly on horizontal rails (upper, lower)

### Delivery comprises

Item	Qty	Description
1	1	Front panel, Al, 2.5 mm, front anodised, rear colourless passivated

### Order Information

Width	A	B	C	Front panel
HP	mm	mm	mm	Part no.
28	141.9	127.0	–	<b>20850-423</b>
42	213.0	196.1	101.6	<b>20850-424</b>
63	319.7	304.8	157.5	<b>20850-425</b>
84	0.0	426.4	203.2	<b>20850-426</b>

### Note

- Please order items 2, 3 and 4 separately

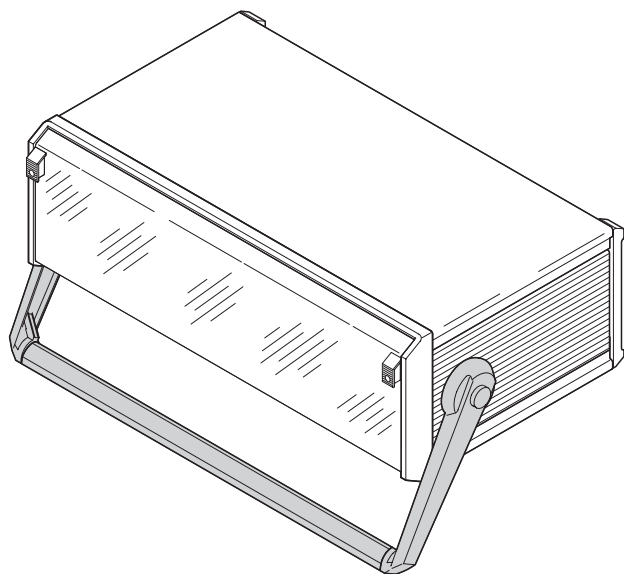
Width	Item 2 EMC sealing, front panel/ horizontal rail PU 10 pieces	Item 3 EMC gasketing kit horizontal rails, 1 piece	Item 4 Horizontal rail type H-KD, 1 piece (SPQ 10) <sup>1)</sup>
HP	Part no.	Part no.	Part no.
28	<b>24560-229</b>	<b>24562-528</b>	<b>34560-228</b>
42	<b>24560-231</b>	<b>24562-542</b>	<b>34560-242</b>
63	<b>24560-233</b>	<b>24562-563</b>	<b>34560-263</b>
84	<b>24560-235</b>	<b>24562-584</b>	<b>34560-284</b>

1) SPQ (Standard Pack Quantity): Order number includes 1 piece, but delivery is exclusively made in standard pack quantity (SPQ); please order at least the SPQ quantity or a multiple



## Desk-top enclosure - *propac*PRO

### Tip-up carrying handles



05806101

- With powder-coated carrying bar
- Can be locked in 30° increments
- Load-carrying capacity 20 kg

#### Delivery comprises (Kit)

Item	Qty	Description
1	1	Carrying bar, Al extrusion, powder-coated, RAL 7016
2	2	Handle side part, Zn, die-cast, powder-coated, length 180 mm
3	2	Safety insert, St, 1.5 mm, black
4	1	Assembly kit for side panel mounting

#### Order Information

For case width	Part no.
<b>HP</b>	
28	<b>24576-070</b>
42	<b>24576-071</b>
63	<b>24576-072</b>
84	<b>24576-073</b>

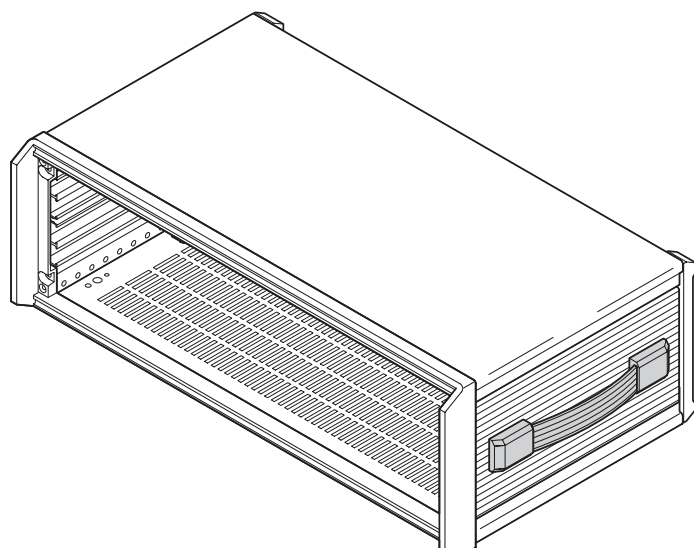
#### Note

- Cases or side panels set up for tip-up carrying handles available on request



For further information [www.schroff.biz/oneclick](http://www.schroff.biz/oneclick)  
oneClick search code = Part no.

### Strap handle



05806098

- Load-carrying capacity: 20 kg

#### Delivery comprises (Kit)

Item	Qty	Description
1	1	Band, spring steel, handle, flexible plastic, grey, RAL 7016
2	2	Cover, grey, RAL 7016
3	1	Assembly kit

#### Order Information

Description	Part no.
Strap handle with adaptor	<b>20850-249</b>

#### Note

- Usable from case depth of D = 326 mm

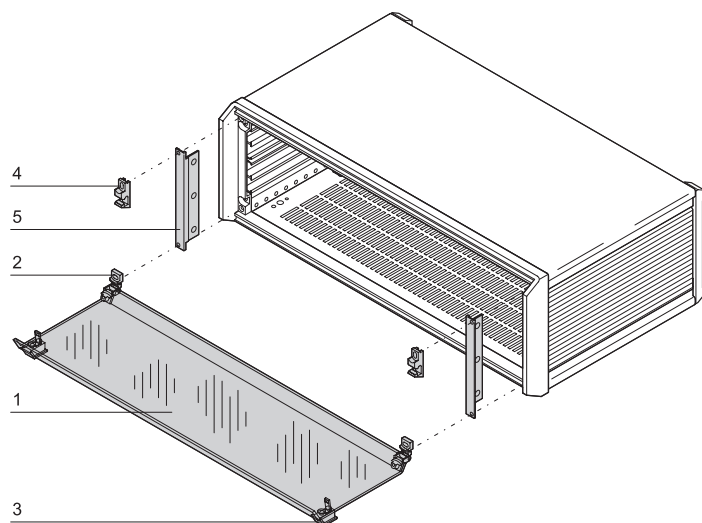


For further information [www.schroff.biz/oneclick](http://www.schroff.biz/oneclick)  
oneClick search code = Part no.

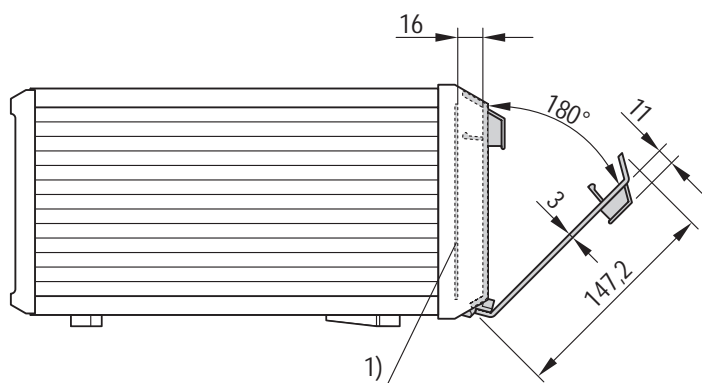


# Desk-top enclosure - *propac*PRO

## Front hoods 3 U

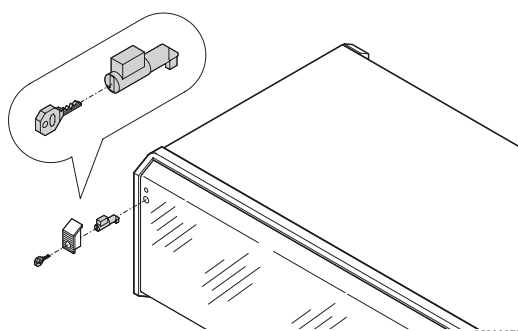


05806071



05806072

1) Front panel



05806073

Lock for front hood

- From acrylic glass, hinged, removable
- Mounting of hinges at top or bottom
- Lock (max. 2) retrofittable
- Lateral cover (item 5) also serves as vertical EMC shielding of side panels

### Delivery comprises (kit)

Item	Qty	Description
1	1	Hood, PMMA, tinted blue grey, acrylic glass, 3 mm
2	2	Hinge, PC, UL 94 V-0, RAL 7016
3	2	Handle, PC, UL 94 V-0, RAL 7016
4	2	Retainer, UL 94 V-0, PC, RAL 7016
5	2	Lateral trim, Al extrusion, visible surface painted RAL 7016
6	1	Assembly kit

### Order Information

For case width	Part no.
<b>HP</b>	
28	<b>24576-080</b>
42	<b>24576-081</b>
63	<b>24576-082</b>
84	<b>24576-083</b>
<b>Lock for front hood</b> Locking cylinder, key, assembly kit, PU 1 kit	<b>60850-171</b>
<b>Tip-up foot in plastic</b> silver, similar to RAL 9006	<b>20603-001</b>
<b>Plastic tip-up foot</b> anthracite, similar to RAL 7016	<b>20603-002</b>

### Note

- Cannot be combined with design elements
- Other heights available on request
- Before assembly of hood feet must be fixed to case; please order separately

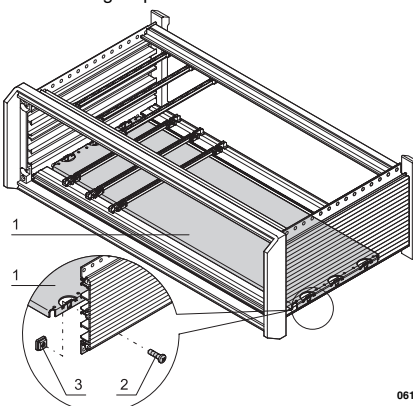
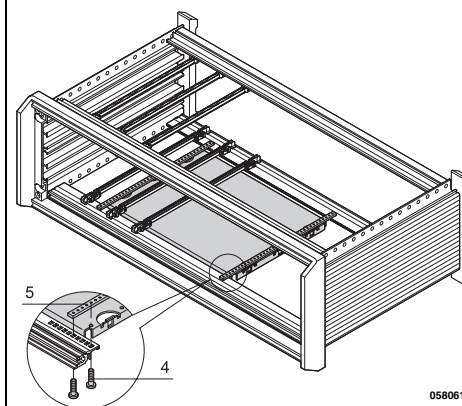


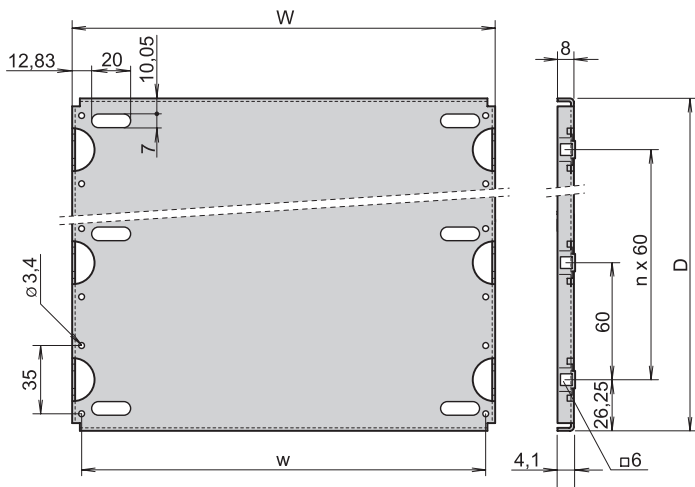
For further information [www.schroff.biz/oneclick](http://www.schroff.biz/oneclick)  
oneClick search code = Part no.

# Desk-top enclosure - *propacPRO*

## Mounting plates

### Order Information

			Mounting plate for fixing of heavy components		
			<p>Mounting plate over entire width: mounting is to the side panels; mounting plate over partial width: mounting is to one side panel and one mounting strip, or to 2 mounting strips</p>  <p style="text-align: center;">Al, 1.5 mm; for mounting over partial width, please order fixing strips separately</p>	<p style="text-align: center;">Assembly strips for partial widths</p>  <p style="text-align: center;">St, 2 mm, zinc-plated; is bolted from front to rear onto the horizontal rails; for fixing mounting plates</p>	
<b>Width W</b>	<b>W</b>	<b>Board lengths</b>	<b>1 piece</b>	<b>1 piece</b>	
HP	mm	mm			
42	217.99	160	<b>34562-746</b>	<b>30840-021</b>	
42	217.99	220	<b>34562-750</b>	<b>30840-033</b>	
63	324.67	160	<b>34562-747</b>	<b>30840-021</b>	
63	324.67	220	<b>34562-751</b>	<b>30840-033</b>	
84	431.35	160	<b>34562-748</b>	<b>30840-021</b>	
84	431.35	220	<b>34562-752</b>	<b>30840-033</b>	
84	431.35	220	<b>34562-760</b>	<b>30840-057</b>	
Assembly material for mounting plate, PU 1 kit (countersunk screw with Torx M4 x 5, St, zinc-plated, 12 pieces; M4 x 6 screw, St, zinc-plated 10 pieces; M4 square nut, St, zinc-plated, 10 pieces)			<b>24560-184</b>	-	
Assembly kit for assembly strips of mounting plate, Torx screw M2.5 x 5, St, zinc-plated, PU 100 pieces			-	<b>24560-146</b>	



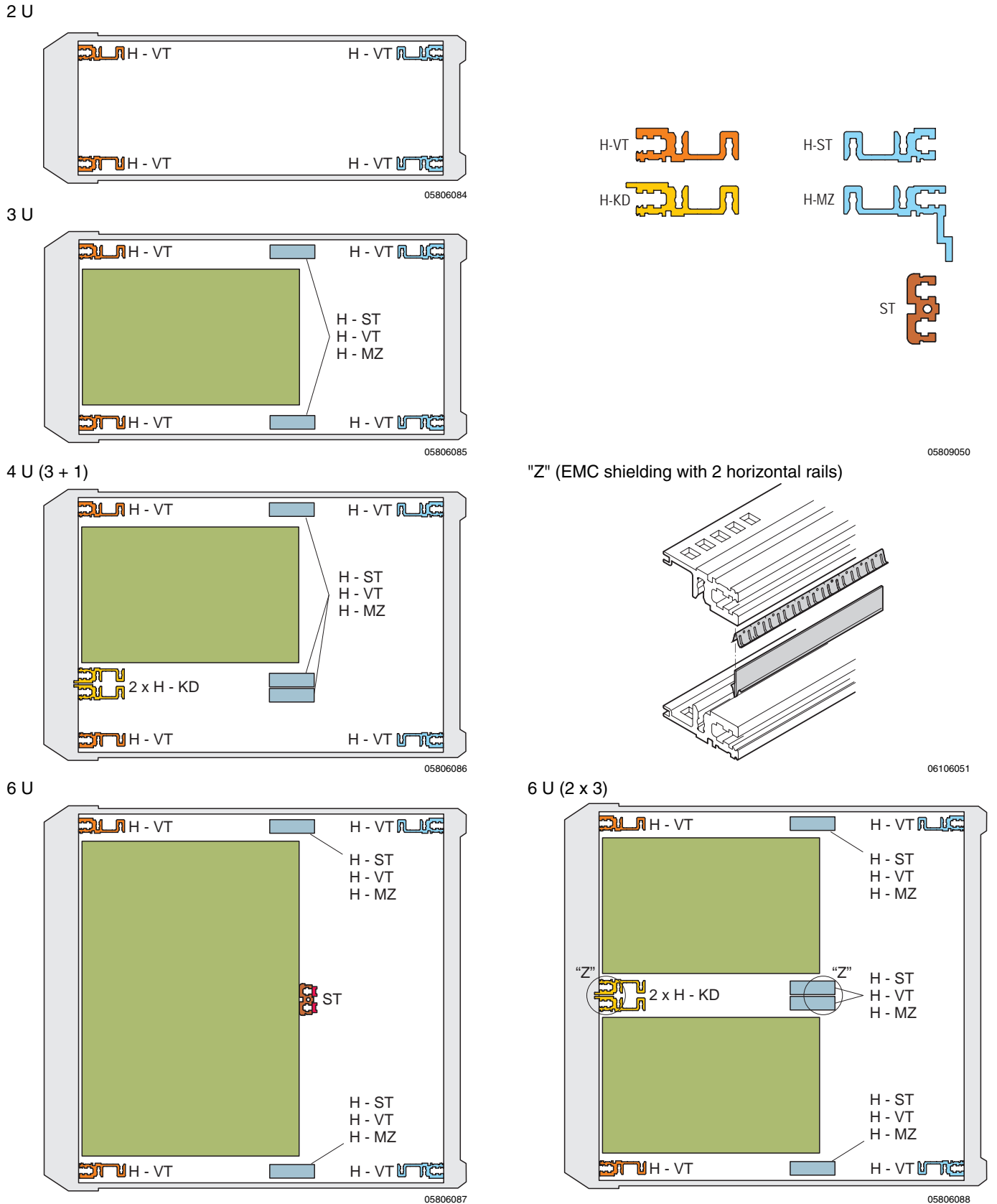
#### Note

- Square nut is needed for mounting on side panel
- 280 mm deep version available on request
- Mounting strips are necessary for partial width;  
please order separately
- Dimensions side panel with horizontal rail see page 5.48

propacPRO:  
 D = PCB length - 47.5 mm;  
 n=1 for 160 mm board length;  
 n=2 for 220 mm board length;  
 n=4 for 340 mm board length;

# Desk-top enclosure - *propacPRO*




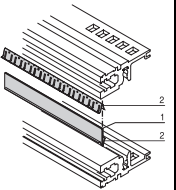
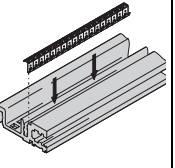




## Mounting position horizontal/central rail



# Desk-top enclosure - *propac*PRO

## Horizontal rails to front/centre/rear

### Order Information

		For indirect backplane fixing with insulation strip	For direct backplane fixing	For direct mounting of connectors to EN 60603-2 (DIN 41612)	Front horizontal rail	Stainless steel EMC gasket between horizontal rail and horizontal rail	Horizontal rail type H-VT robust, with EMC gasket
		 06197011	 06197011	 06197011		 bza45877	 06106052
		"heavy" Type H-ST standard	"heavy" Type H-VT long lip	"heavy" Type H-MZ with Z-rail	"heavy" Type H-KD short lip		
		 06197011	 06197009	 06197015	 06197008		
		Al extrusion, surface anodised, conductive contact surface	Al extrusion, surface anodised, conductive contact surface	Al extrusion, surface anodised, conductive contact surface	Al extrusion, anodised finish, contact surface conducting, with printed HP markings	Item 1: metal strip, Al, 1 mm, item 2: EMC stainless steel gasket for shielding of 2 horizontal rails positioned directly one above the other if assembly area is divided vertically	Horizontal rail: Al extrusion, surface anodised, conductive contact surface for cover plate at shielded case
<b>Usable length HP</b>	<b>Length mm</b>	<b>1 piece (SPQ 10)<sup>1)</sup></b>	<b>1 piece (SPQ 10)<sup>1)</sup></b>	<b>1 piece (SPQ 10)<sup>1)</sup></b>	<b>1 piece (SPQ 10)<sup>1)</sup></b>	<b>PU 1 kit</b>	<b>1 piece</b>
28	147.32	<b>34560-528</b>	<b>34560-728</b>	<b>34560-928</b>	<b>34560-228</b>	<b>24562-528</b>	<b>24576-028</b>
42	218.44	<b>34560-542</b>	<b>34560-742</b>	<b>34560-942</b>	<b>34560-242</b>	<b>24562-542</b>	<b>24576-042</b>
63	325.12	<b>34560-563</b>	<b>34560-763</b>	<b>34560-963</b>	<b>34560-263</b>	<b>24562-563</b>	<b>24576-063</b>
84	431.80	<b>34560-584</b>	<b>34560-784</b>	<b>34560-984</b>	<b>34560-284</b>	<b>24562-584</b>	<b>24576-084</b>
Countersunk screw with Torx, M4 × 14, St, zinc-plated, PU 100 pieces		<b>24571-371</b>	<b>24571-371</b>	<b>24571-371</b>	<b>24571-371</b>	–	<b>24571-371</b>
Countersunk screw with Torx, M4 × 10, St, zinc-plated, necessary if guide rail is screwed to slot 1, PU 100 pieces		–	–	<b>24571-372</b>	<b>24571-372</b>	–	<b>24571-372</b>
Perforated rail for connector mounting with insulation strip see page		5.64	–	–	–	–	–
Z-rail for connector mounting without insulation strip see page		5.64	–	–	–	–	–
Insulation strips see page		–	5.63	–	–	–	–
Threaded inserts see page		5.63	5.63	5.63	5.63	–	–

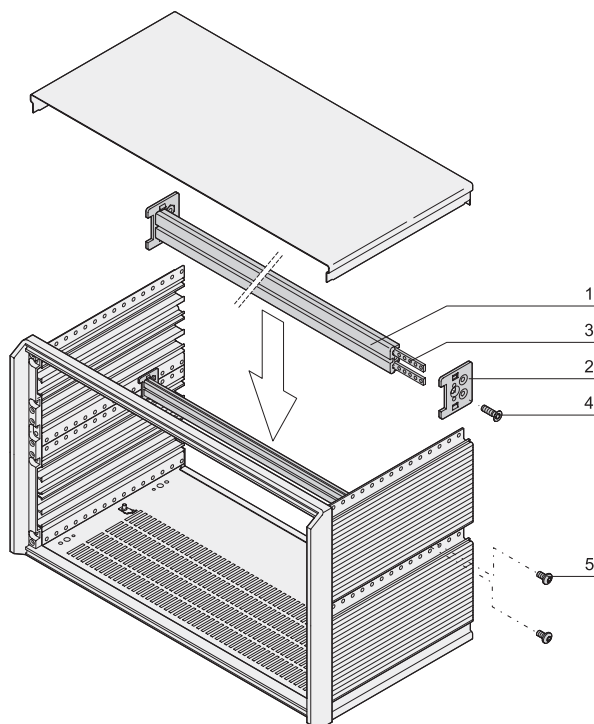
1) SPQ (Standard Pack Quantity): Order number includes 1 piece, but delivery is exclusively made in standard pack quantity (SPQ); please order at least the SPQ quantity or a multiple

### Note

- Further horizontal rails, see from page 6.26
- Fitting options, see page 5.61

# Desk-top enclosure - *propacPRO*

## Horizontal rails, centre, type ST-C



- For indirect backplane mounting (with insulation strip)
- For 6 U propacPRO case

Delivery comprises (kit, item 1 to 4 are pre-mounted)

Item	Qty	Description
1	1	Horizontal rail, Al extrusion, anodised, contact surfaces conductive
2	2	Adaptor plates, Al
3	2	Threaded inserts M 2.5 , St, zinc-plated
4	2	Countersunk screw, M4 x 14
5	4	Panhead screw M4 x 6

### Order Information

Usable width	Length	Part no.
HP	mm	
84	431.8	<b>24575-474</b>
Insulation strip 84 HP, PBT UL 94 V-0, grey, PU 10 pieces		<b>24560-884</b>



For further information [www.schroff.biz/oneclick](http://www.schroff.biz/oneclick)  
oneClick search code = Part no.

05806089

## Threaded inserts, perforated strips, insulation strips

### Order Information

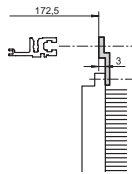
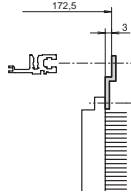
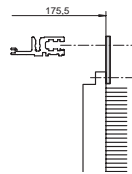
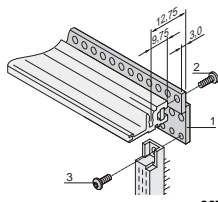
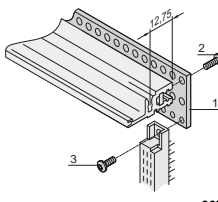
Usable length HP	Threaded insert Length mm	Threaded insert		Perforated strip Length mm	Perforated strip (item 1)	Insulation strip Length mm	Insulation strip PU 10 pieces
		M2.5	M3				
		<p>Required for assembly of front panel on horizontal rail; please use collar screw 12.3 mm, see page 7.101</p>			<p>For centring of shielded plug-in units, Al, 1 mm, please order grub screw for fixing separately</p>	<p>For insulated backplane mounting</p>	
		1 piece (SPQ 10) <sup>1)</sup>	1 piece (SPQ 10) <sup>1)</sup>		1 piece (SPQ 10) <sup>1)</sup>		
28	147.32	<b>34561-328</b>	–	147.12	<b>30845-197</b>	144.20	<b>24560-828</b>
42	218.44	<b>34561-342</b>	–	218.24	<b>30845-211</b>	210.40	<b>24560-842</b>
63	325.12	<b>34561-363</b>	–	324.92	<b>30845-232</b>	316.88	<b>24560-863</b>
84	431.80	<b>34561-384</b>	<b>34561-484</b>	431.60	<b>30845-253</b>	428.64	<b>24560-884</b>
Grub screw M2.5 x 8, PU 100 pieces		<b>21100-276</b>	–		–		–
Grub screw M2.5 x 9, PU 100 pieces		–	–		<b>21101-359</b>		–
Grub screw M3 x 8, PU 100 pieces		–	<b>21100-646</b>		–		–

1) SPQ (Standard Pack Quantity): Order number includes 1 piece, but delivery is exclusively made in standard pack quantity (SPQ); please order at least the SPQ quantity or a multiple

# Desk-top enclosure - *propac*PRO

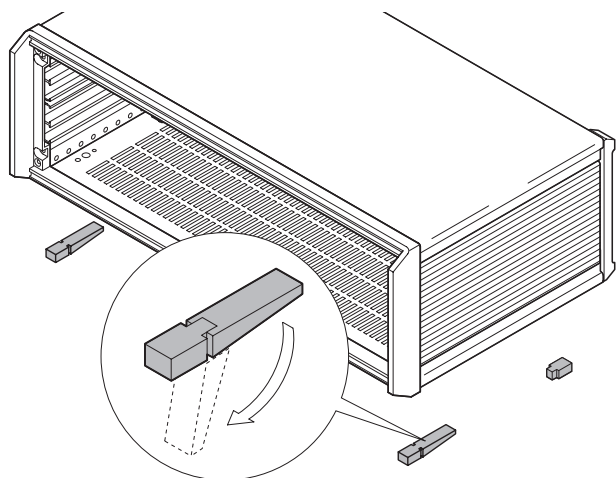
## Z-rails, perforated rails

### Order Information

		Z-rail for connectors		Perforated rail
		For connector, IEC 60603-2 DIN EN 41612 item 1	31-pin, DIN 41617	EN 60603-2, DIN 41612 item 1
		 BZA45849	 BZA45850	 BZA45848
		 06708063	 06708051	
		For connector mounting with ST horizontal rails, please order threaded insert and screw separately	For connector mounting with ST horizontal rails, please order threaded insert and screw separately	
<b>Usable length</b>	<b>Length</b>	<b>1 piece</b>	<b>1 piece</b>	<b>PU 4 pieces</b>
<b>HP</b>	<b>mm</b>			
28	142.24	<b>30822-033</b>	-	<b>20822-049</b>
42	213.36	<b>30822-047</b>	-	<b>20822-050</b>
60	304.80	<b>30822-065</b>	<b>30819-783</b>	<b>20822-047</b>
84	426.70	<b>30822-089</b>	<b>30819-808</b>	<b>20822-048</b>
Item 3, Countersunk screw with Torx for fixing connector to perforated rail, M2.5 × 7, PU 100 pieces		<b>24560-147</b>	<b>24560-147</b>	<b>24560-147</b>
Item 2, Countersunk screw with Torx, for fixing perforated rails to horizontal rail, M2.5 × 10, PU 100 pieces		<b>24560-148</b>	<b>24560-148</b>	<b>24560-148</b>

## Desk-top enclosure - *propac* PRO

### Plastic tip-up feet



- Tip-up feet can be used instead of the pre-mounted case feet
- Load-carrying capacity 25 kg per foot
- Mounting holes in bottom of case

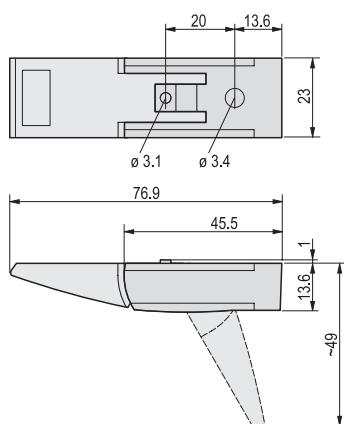
#### Delivery comprises (kit)

Item	Qty	Description
1	4	Foot, PA, UL 94 V-0
2	4	Anti-slip protection, TPE
3	2	Tip-up device, PA, UL 94 V-0
4	1	Assembly kit

#### Order Information

Description	Part no.
Plastic tip-up foot anthracite, similar to RAL 7016	<b>20603-002</b>
Tip-up foot in plastic silver, similar to RAL 9006	<b>20603-001</b>
<b>Cheesehead screw with slot</b> M4 × 12, St, zinc-plated, PU 100 pieces	<b>21101-211</b>
<b>Hexagon nut</b> M4, St, zinc-plated, PU 100 pieces	<b>21100-211</b>
<b>Spring washer</b> A4, St, zinc-plated, PU 100 pieces	<b>21100-207</b>

05806093

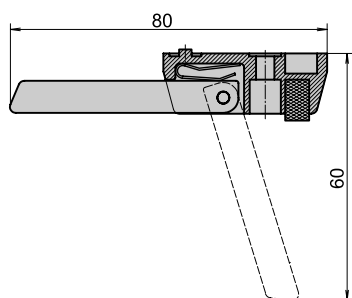


02906050



For further information [www.schroff.biz/oneclick](http://www.schroff.biz/oneclick)  
oneClick search code = Part no.

### Tip-up feet made of die-cast aluminium



- Can be used instead of the standard round feet
- Mounting holes available in bottom of case
- Secure case stance with slip-proof rubber inserts
- Load-carrying capacity 50 kg per foot, max. case weight 40 kg

#### Order Information

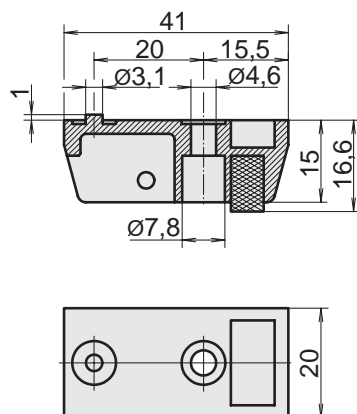
Description	Qty Piece	Part no.
Foot with tip-up, Al die-cast, silver	1 piece (SPQ 10) <sup>1)</sup>	<b>10603-002</b>
Foot without tip-up, Al die-cast, silver	1 piece (SPQ 10) <sup>1)</sup>	<b>10603-001</b>
<b>Cheesehead screw with slot</b> M4 × 12, St, zinc-plated, PU 100 pieces		<b>21101-211</b>
<b>Hexagon nut</b> M4, St, zinc-plated, PU 100 pieces		<b>21100-211</b>
<b>Spring washer</b> A4, St, zinc-plated, PU 100 pieces		<b>21100-207</b>

1) Order no. comprises 1 piece;  
delivery is in standard pack quantity (SPQ);  
please order a minimum of 10 feet or a multiple

#### Note

- Delivery is in standard pack multiples;  
pricing is per individual item

AZA43836

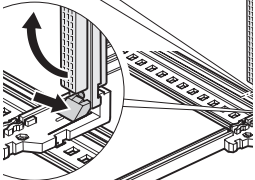


02908051

# Desk-top enclosure - *propac*PRO

## Guide rails for plug-in units and modules, one-piece, groove width 2 mm and 2.5 mm

### Order Information

Assembly - can be clipped onto Al extruded horizontal rails - can be clipped onto 1.5 mm thick plates  Storage temperature from -40 °C ... 130 °C			For plug-in units and frame-type plug-in units "Standard"		For 4.4" PCBs		
			Up to 220 mm length, PBT, UL 94 V-0; from 280 mm length, multi-piece, end piece PBT, UL 94 V-0, middle section Al extrusion	PBT, UL 94 V-0	With DIN connector fixing as standard 	One-piece, PBT, UL 94 V-0; for 4.4" PCBs or drive units	
Board lengths mm	Groove width mm	Colour mm	PU 10 pieces	1 piece (SPQ 50) <sup>1)</sup>	PU 10 pairs	PU 10 pieces	1 piece (SPQ 50) <sup>1)</sup>
70	2	red	–	<b>34579-230</b>	–	–	–
70	2	grey	–	<b>34579-231</b>	–	–	–
160	2	red	<b>24560-351</b>	<b>64560-001</b>	<b>64560-074</b>	<b>24560-361</b>	<b>64560-143</b>
220	2	red	<b>24560-353</b>	<b>64560-002</b>	<b>64560-075</b>	<b>24560-362</b>	<b>64560-144</b>
280	2	red	<b>24560-379</b>	–	–	–	–
340	2	red	<b>24560-380</b>	–	–	–	–
160	2.5	red	–	<b>64560-096</b>	–	–	<b>64560-145</b>
220	2.5	red	–	<b>64560-098</b>	–	–	<b>64560-146</b>
Dimension drawings see page			6.39	6.39	6.39	6.39	6.39

### Accessories

Retention screw, PU 100 pieces 	<b>24560-141</b>	<b>24560-158</b>
ESD clip, PU 50 pieces; description see page 6.41	<b>24560-255</b>	–

1) SPQ (Standard Pack Quantity): Order number includes 1 piece, but delivery is exclusively made in standard pack quantity (SPQ); please order at least the SPQ quantity or a multiple

2) Part no. includes one packing unit (PU); delivery is exclusively made in PU

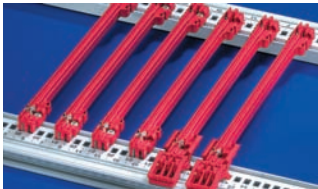
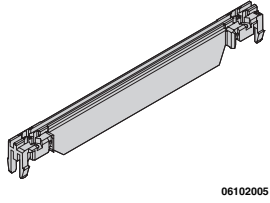
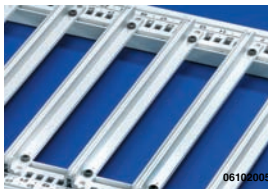
Further guide rails see page 6.34



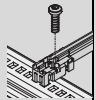
# Desk-top enclosure - *propac*PRO

## Guide rails type "accessories", one-piece, groove width 2 mm and 2.5 mm

### Order Information

Assembly - can be clipped onto Al extruded horizontal rails - can be clipped onto 1.5 mm thick plates			Guide rails type "Accessories"		Guide rails type "Accessories" strengthened	Guide rails for heavy modules, Al extrusion, silver, robust version	
			 Up to 220 mm length PBT, UL 94 V-0; from 280 mm length, multi-piece, end piece PBT, UL 94 V-0, middle section Al extrusion		 PBT, UL 94 V-0; support beam of guide rails adds to strengthening	 Al extrusion; is screwed to horizontal rail "heavy" with retention screws	
Storage temperature from -40 °C ... 130 °C	Board lengths mm	Groove width mm	Colour mm	PU 10 pieces	1 piece (SPQ 50)	1 piece (SPQ 50)	1 piece (SPQ 50)
	100	2	red	–	<b>64560-082</b>	–	–
	160	2	red	<b>24560-373</b>	<b>64560-005</b>	<b>64560-076</b>	–
	160	2	grey	–	<b>64560-055</b>	–	<b>34562-881</b>
	220	2	red	<b>24560-374</b>	<b>64560-006</b>	<b>64560-078</b>	–
	220	2	grey	–	<b>64560-166</b>	–	<b>34562-882</b>
	280	2	red/ silver	<b>24560-375</b>	–	<b>64560-080</b>	<b>34562-883</b>
	340	2	red/ silver	<b>24560-376</b>	–	–	<b>34562-884</b>
	400	2	silver	–	–	–	<b>34562-885</b>
	160	2.5	silver	–	–	–	<b>34564-881</b>
	220	2.5	silver	–	–	–	<b>34564-882</b>
	280	2.5	silver	–	–	–	<b>34564-883</b>
	340	2.5	silver	–	–	–	<b>34564-884</b>
	400	2.5	silver	–	–	–	<b>34564-885</b>
	Dimension drawings see page			6.39	6.39	6.39	6.39

### Accessories

Retention screw, PU 100 pieces 	<b>24560-141</b>	<b>24560-141</b>	<b>24560-141</b>	<b>24560-157</b>
ESD clip, PU 50 pieces description see page 6.41		<b>24560-255</b>		–
Board locking, red, PU 10 pieces description see page 6.41		<b>24560-377</b>		–
Board handle, red, PU 10 pieces description see page 6.41		<b>24560-378</b>		–
Identification strips for board handle, red, PU 1 sheet = 438 pieces, description see page 6.41		<b>60817-228</b>		–
Coding see page		6.41		–

1) SPQ (Standard Pack Quantity): Order number includes 1 piece, but delivery is exclusively made in standard pack quantity (SPQ); please order at least the SPQ quantity or a multiple

2) Part no. includes one packing unit (PU); delivery is exclusively made in PU

Further guide rails see page 6.34