

Product manual

Piezo Keypad

CONTENTS

CONTENTS	1
1 PRODUCT DESCRIPTION	2
2 TECHNICAL DATA AND DIMENSIONAL DRAWINGS	3
2.1 Technical Data	3
2.2 Layout of 12 key keypad	5
2.3 Layout of 16 key keypad	6
2.4 Circuit diagram	7
3 ORDER NUMBERS	8
4 ACCESSORIES	8
4.1 Accessory Kit	8
4.2 Dimensions Accessory Kit	9
5 PACKAGING	11
6 QUALIFICATION TEST	11
6.1 Degree of Protection	11
6.2 EMC Protection	11
7 APPROVALS	12
8 ROHS COMPLIANT	12

Changes that contribute to technical improvement are subject to alternations.							
page	Issue date:	created by:	amendment date:	released by:	amendment no.:	datasheet no.:	index
1 of 12	27.08.2008	M. Fischer	17.06.2011	HP.Friedrich	500008762	0105.9539.200	g

1 PRODUCT DESCRIPTION



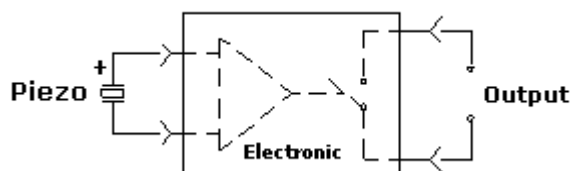
- IP 69K protection class, IK 05 impact strength
 - operating temperature from -25°C to +85°C
 - long lifetime of more than 20 million actuations
 - with mounting accessories: keypad is sealed into the housing with IP 68 protection class, mounting into the housing from the front or the rear
 - as standard: keypads are available as a number block with 12 or 16 keys and with an aluminium front
 - point illumination may be integrated into the individual key fields as optical feedback or for user navigation
 - the operating panel can be designed in several colours in both the aluminium and stainless steel versions
-
- the keypads can be adapted to customer requirements with respect to the outer geometry as well as to the number and arrangement of the keys
 - particularly suitable for use in outdoor applications due to their ability to resist extreme ambient conditions such as negative temperatures, ice and snow
 - completely sealed operating panel is easy to clean and resistant to common cleaning agents

Operation principle:

The piezo keypad is based on the principle of the piezoelectric effect. By pressing, a piezoceramic generates a voltage pulse. The power of the voltage pulse is amplified from the integrated electronic circuit to a bipolar switching output.

During the voltage pulse the electronic is switching for the specified pulse duration. The switching time of the electronic switching output depends on the actuation force and the operation speed.

Connection diagram of a single switch NO (Normally Closed):



In the unactuated condition, the piezo ceramic is in a high-impedance state and the switch has an output resistance greater than 10 MOhms. If the piezo-ceramic is actuated, the output resistance is reduced to a value smaller than 20 ohms.

This corresponds largely to the functionality of a conventional mechanical switch.

Changes that contribute to technical improvement are subject to alternations.							
page	Issue date:	created by:	amendment date:	released by:	amendment no.:	datasheet no.:	index
2 of 12	27.08.2008	M. Fischer	17.06.2011	HP.Friedrich	500008762	0105.9539.200	g

2 TECHNICAL DATA AND DIMENSIONAL DRAWINGS

2.1 Technical Data

<u>Electrical Data</u>		
Rated Voltage max.	[VDC]	50
Rated Current max.	[mA]	200
Contact Resistance ON	[Ω]	< 7.5<
Contact Resistance OFF	[MΩ]	> 5
Electrical Strength	[V]	2500
Contact Bounce Time	[ms]	< 1
Rated Breaking Capacity	[mW]	600

<u>Mechanical Data</u>		
Actuation Force	[N]	1 – 3 *
Lifetime	[mill.]	> 20
Shock Resistance (DIN EN 50102)	[IK]	Aluminum: 05 Stainless Steel: 04

* At ambient temperatures less than -10°C the actuating force may increase.

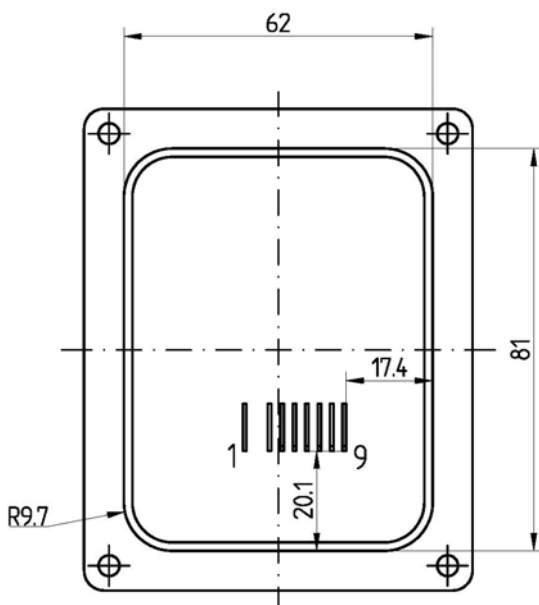
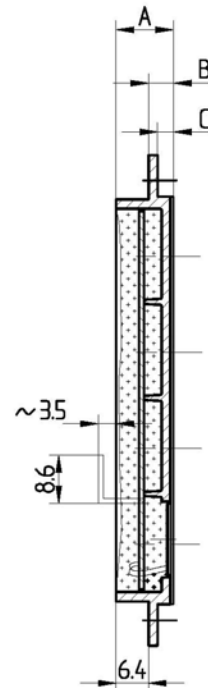
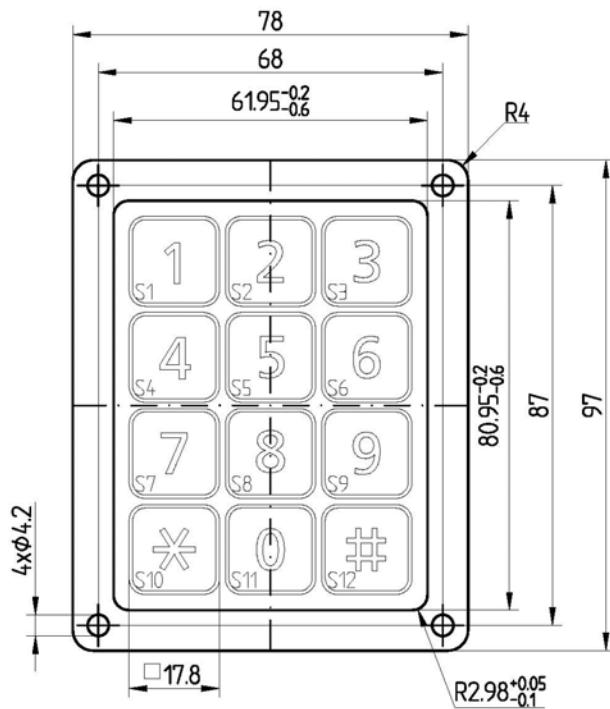
<u>Climatical Data</u>		
Operating Temperature	[°C]	-25 to +85
Storage Temperature	[°C]	-40 to +85
Degree of Protection *	[IP]	IP 69K

* Note: The degree of protection depends on the mounting.

Material		
Part	Material	UL-Listing
Assembling plate	Ultradur	UL94, V-0
Upper spacer		File: PGGU2.MH26206
Insulating disc	FR4	UL94, V-0
PCB	FR4	UL94, V-0
Adhesive		no listing
Casting compound		no listing
Piezo disc	PZT	
Front plate	Aluminium	

2.2 Layout of 12 key keypad

Front-design can be varied.

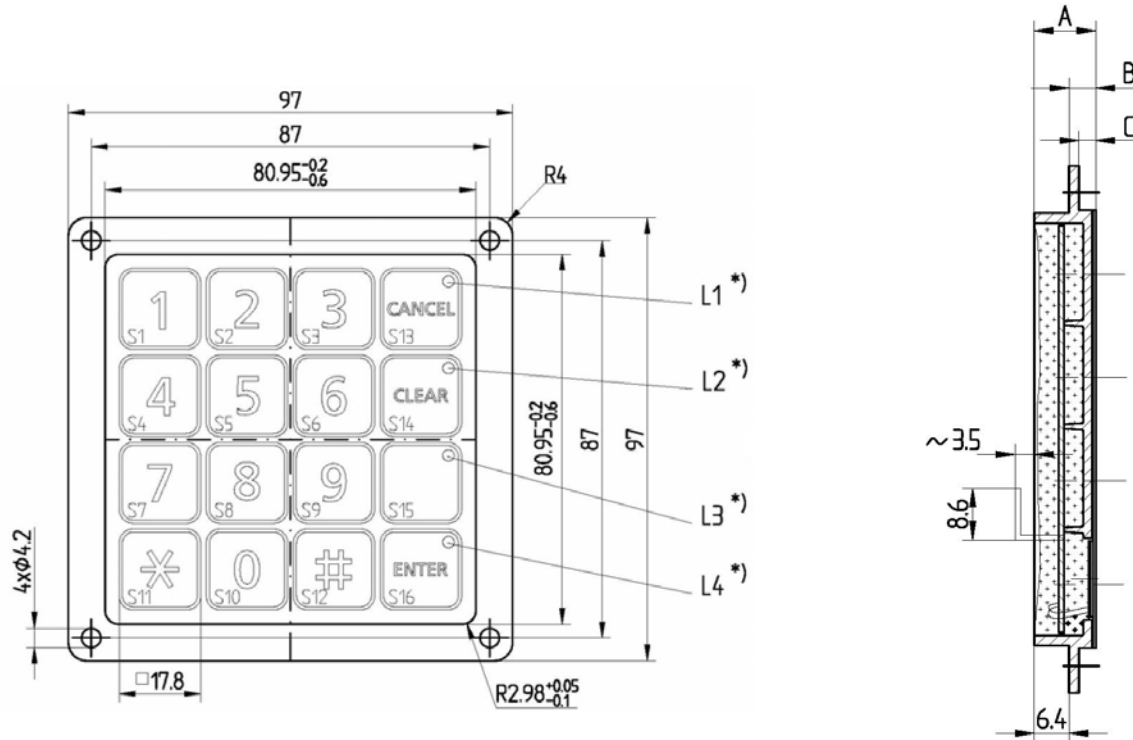


Measures	A	B	C
Piezo Keypad 1068.1012.1110001	11.33	4.93	3.13 +/-0.11
Piezo Keypad 1068.1012.2110001	11.23	4.83	3.03 +/-0.11

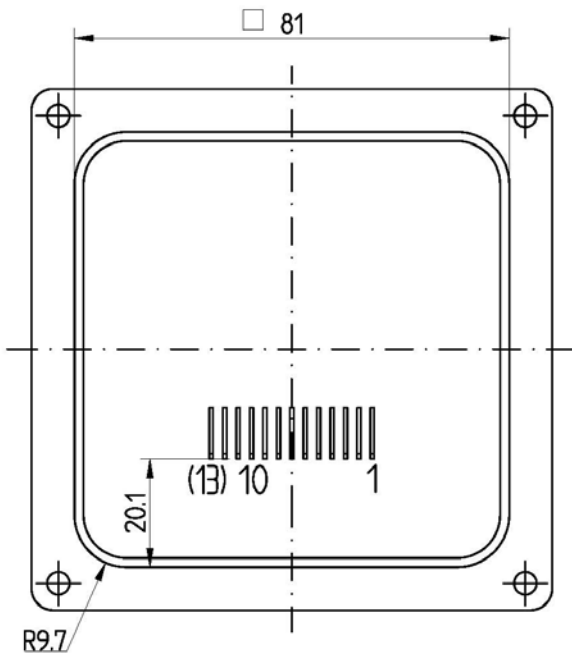
		PIN								
		1	2	3	4	5	6	7	8	9
Graphic	1	1		□		□				
	2	2		□			□			
	3	3		□				□		
	4	4		□					□	
	5	5		□						□
	6	6	□			□				
	7	7	□				□			
	8	8	□					□		
	9	9	□						□	
	10	*	□							□
	11	0		□	□					
	12	#	□							□

Layout of 16 key keypad

Front-design can be varied.



Measures	A	B	C
Piezo Keypad 1068.1016.1110001	11.33	4.93	3.13
Piezo Keypad 1068.1016.2110001	11.23	4.83	3.03



		PIN												
		1	2	3	4	5	6	7	8	9*	10	11	12	13
Graphic	1	1												
	2	2												
	3	3												
	4	4												
	5	5												
	6	6												
	7	7												
	8	8												
	9	9												
	10	0												
	11	*												
	12	#												
	LEDs	13	Can											
14		Clear												
15														
16		Ent												
		L1												
		L2												
		L3												
		L4												

PIN 11-13 for Point-Illumination

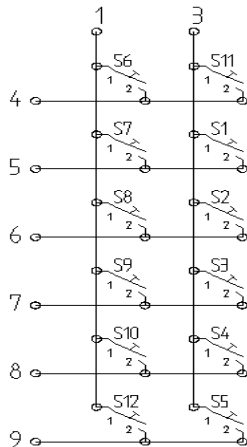
* Common Supply LED Supply GND

*) Schematic illustration of the position of point illumination.
The point illumination is customized and available on request.

Changes that contribute to technical improvement are subject to alternations.							
page	Issue date:	created by:	amendment date:	released by:	amendment no.:	datasheet no.:	index
6 of 12	27.08.2008	M. Fischer	17.06.2011	HP.Friedrich	500008762	0105.9539.200	g

2.4 Circuit diagram

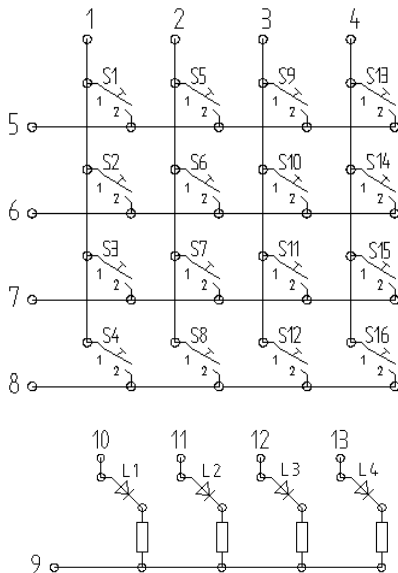
12 key keypad



Pin 2 n. c.

		PIN								
		1	2	3	4	5	6	7	8	9
Graphic	1	1			□		□			
	2	2			□			□		
	3	3			□				□	
	4	4			□					□
	5	5			□					□
	6	6	□			□				
	7	7	□				□			
	8	8	□					□		
	9	9	□						□	
	10	*	□							□
	11	0			□	□				
	12	#	□							□

16 key keypad



Pin 9 Led-Supply common GND

		PIN												
		1	2	3	4	5	6	7	8	9*	10	11	12	13
Graphic	1	1	□			□								
	2	2	□				□							
	3	3	□					□						
	4	4	□						□					
	5	5		□		□								
	6	6	□				□							
	7	7	□					□						
	8	8	□						□					
	9	9			□	□								
	10	0		□			□							
	11	*		□				□						
	12	#		□					□					
	13	Cancel			□	□								
	14	Clear			□		□							
	15				□			□						
	16	Ent			□				□					
LEDs	L1								□	□				
	L2								□		□			
	L3								□			□		
	L4								□				□	

* Common Supply LED Supply GND

3 ORDER NUMBERS

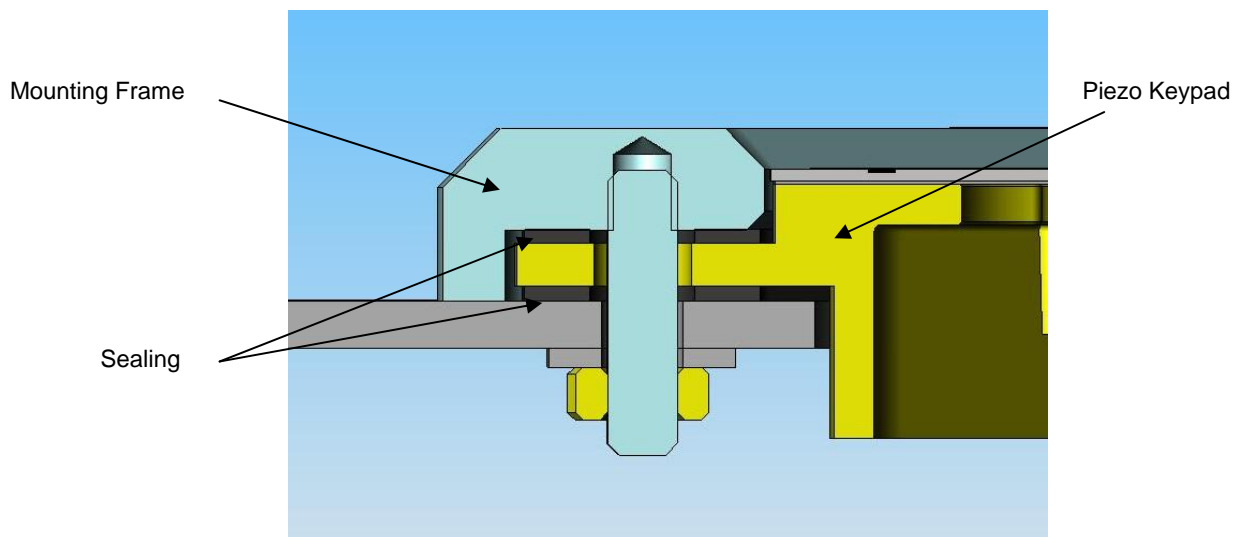
	piezo keypad 12 keys	piezo keypad 16 keys
front aluminum, multi pin connector, standard lettering*	1068.1012.1110001	1068.1016.1110001

* Note: The lettering corresponds to the standard layout as described under point 2.2 and 2.3.

4 ACCESSORIES

4.1 Accessory Kit

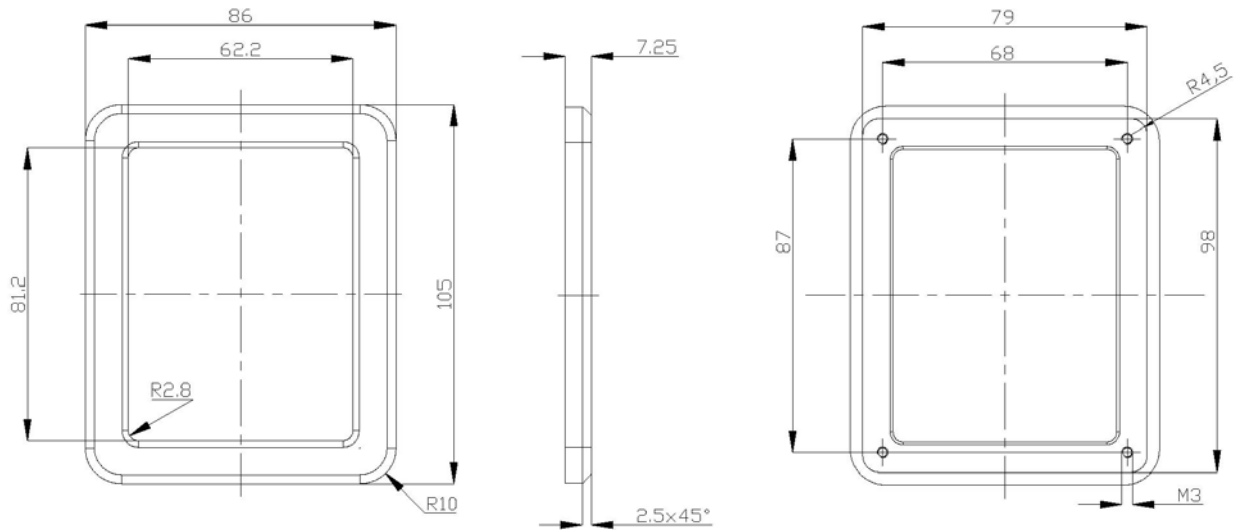
	accessory kit for piezo keypad 12 keys	accessories kit for piezo keypad 16 keys
Mounting Frame + Sealing frontside	1068.1012.340	1068.1016.340



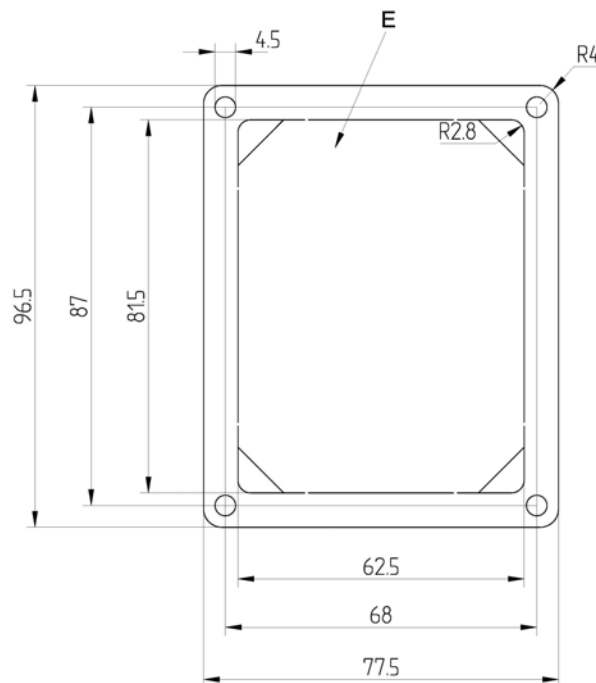
4.2 Dimensions Accessory Kit

Piezo Keypad 12 keys

Mounting Frame



Sealing



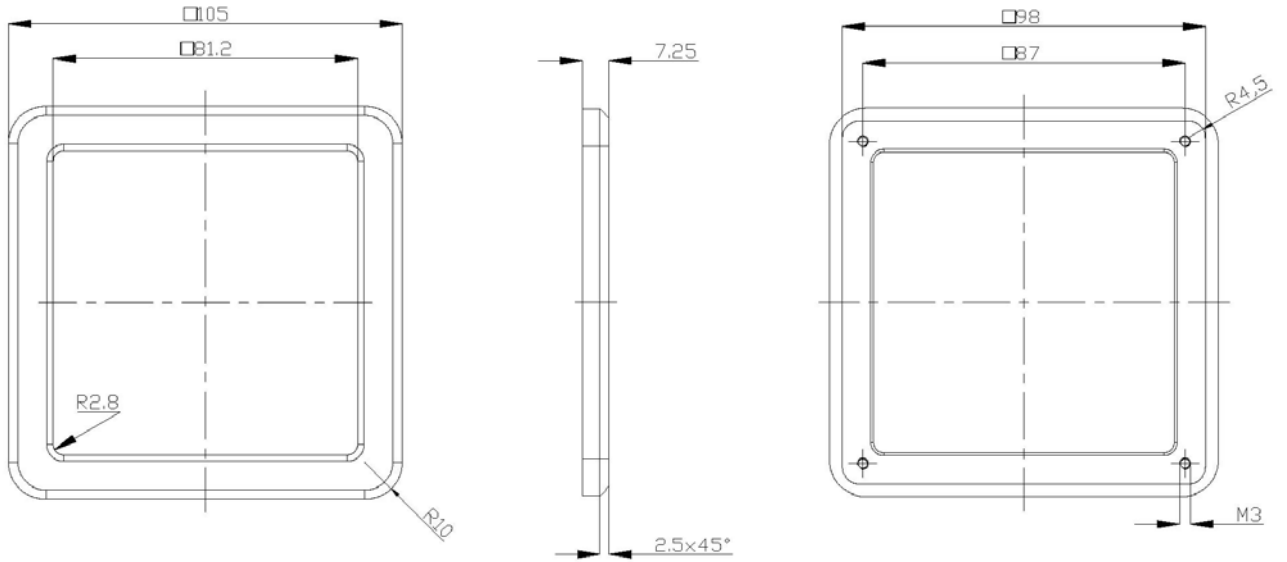
Legend

- *E = Inner part falls out after mounting*

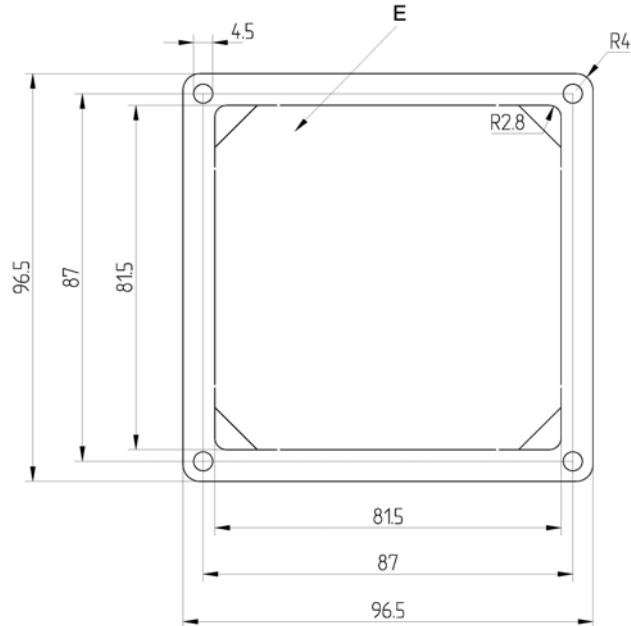
Changes that contribute to technical improvement are subject to alternations.							
page	Issue date:	created by:	amendment date:	released by:	amendment no.:	datasheet no.:	index
9 of 12	27.08.2008	M. Fischer	17.06.2011	HP.Friedrich	500008762	0105.9539.200	g

Piezo Keypad 16 keys

Mounting Frame



Sealing



Legende

- E = Inner part falls out after mounting

Changes that contribute to technical improvement are subject to alternations.							
page	Issue date:	created by:	amendment date:	released by:	amendment no.:	datasheet no.:	index
10 of 12	27.08.2008	M. Fischer	17.06.2011	HP.Friedrich	500008762	0105.9539.200	g

5 PACKAGING

	Packaging Unit	Type of Packaging
Piezo keypad 12 keys with protective foil	6	Reusable packaging
Piezo keypad 16 keys with protective foil	6	Reusable packaging

Note: Transport, storage and handling of piezo keypads should be in accordance with ESD guidelines.



6 QUALIFICATION TEST

6.1 Degree of Protection

IP Protection IEC/DIN/EN/ 60529	Piezo Keypad: IP 69K Mounting to the housing: IP 68 *
------------------------------------	--

* The accessory kit from SCHURTER enables the keypad to be sealed into the housing with the IP 68 protection class.

6.2 EMC Protection

EMC test DIN EN 61000-4-3 (2000)	4 kV contact discharge 8 kV air discharge
-------------------------------------	--

Changes that contribute to technical improvement are subject to alternations.							
page	Issue date:	created by:	amendment date:	released by:	amendment no.:	datasheet no.:	index
11 of 12	27.08.2008	M. Fischer	17.06.2011	HP.Friedrich	500008762	0105.9539.200	g

7 APPROVALS



CE compliant

8 ROHS COMPLIANT



Changes that contribute to technical improvement are subject to alternations.							
page	Issue date:	created by:	amendment date:	released by:	amendment no.:	datasheet no.:	index
12 of 12	27.08.2008	M. Fischer	17.06.2011	HP.Friedrich	500008762	0105.9539.200	g