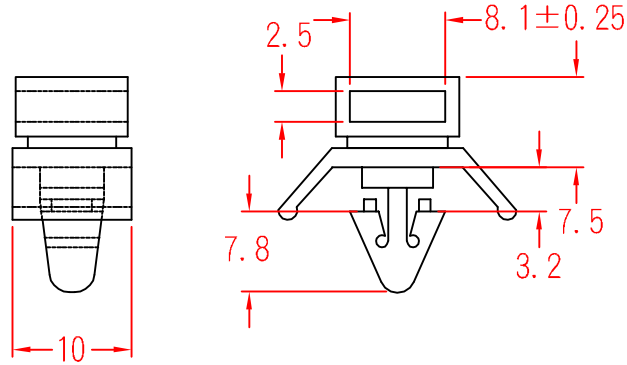


# PHC-8



To fit 6.2mm hole  
Chassis 0.5~3mm

		MATERIAL	UL 94V-2	ITEM NO.	PHC-8	
			NYLON 66			
SCALE		FINISH		NAME	PUSH TIE MOUNT	
△	( . . )	TOLERANCE ±0.5mm		△	01-15-1994	REVISIONS K001
				DATE		R.NO.

