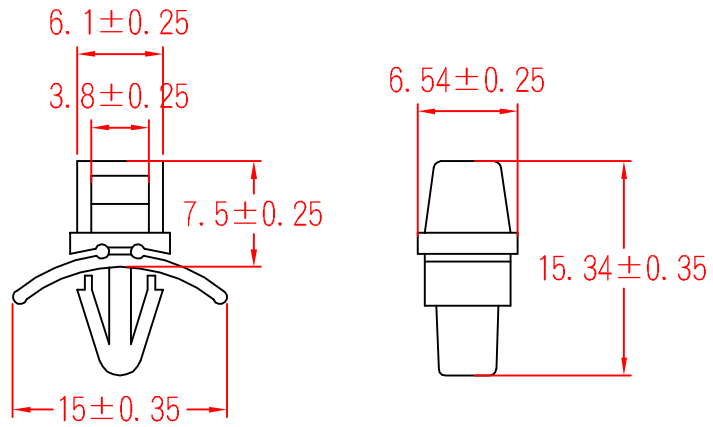


PHC-4



To fit 4.8mm hole
Chassis 0.5~1.6mm

		MATERIAL	UL 94V-2	ITEM NO.	PHC-4	
			NYLON 66			
SCALE		FINISH		NAME	PUSH TIE MOUNT	
\triangle	(. .)	TOLERANCE AS FIGURE		\triangle	08-04-2009 DATE	REVISIONS K003
						R.NO.

