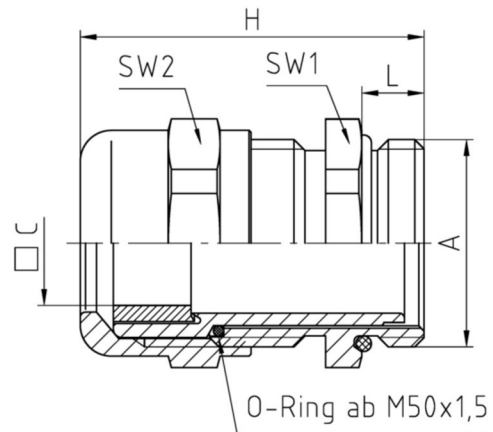


### Configuration

Dome nut	Brass CuZn39Pb3, nickel-plated
Lamellar insert	Polyamide PA6 V-2
Sealing insert	Evoprene TPE
Gland body	Brass CuZn39Pb3, nickel-plated
O-ring	Nitrile rubber
Connecting thread	metric, as per EN 60423


### Properties

Temperature range	<ul style="list-style-type: none"> <li>for chamfered flat cables</li> </ul> -20°C +100°C
Protection grade	IP66 if the outer dimensions of the cable match the slot dimensions C max. exactly (table 1), IP54 for cable dimensions between C max. and C min. (table 2)
Comment	sealing inserts - see WJ-DM xxFK1



### Features

maximal clamping range C max.

A	ØC	L	SW1	SW2	H		Part No.
	mm	mm	mm	mm	mm	Piece	
M20x1,5	2x9 - 5x12	6	22	22	33,5	100	50.620 MFK1
M25x1,5	2x11 - 6x16,3	7	27	27	36,5	50	50.625 MFK1
M32x1,5	3x13 - 9x20	8	34	34	38	25	50.632 MFK1
M40x1,5	3x17 - 10x27	8	43	43	41	10	50.640 MFK1
M50x1,5	4x24 - 13x34	9	55	55	49,5	5	50.650 MFK1
M63x1,5	5x33 - 15x45	10	65	65	52,5	5	50.663 MFK1

**Jacob**