

PERFECT cable gland

50.0xx

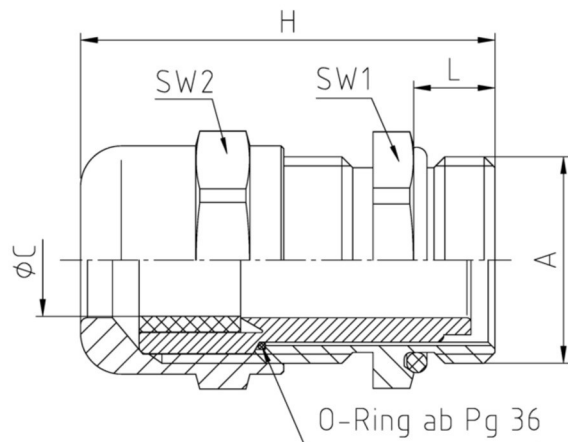
Configuration

Dome nut	Brass CuZn39Pb3, nickel-plated
Lamellar insert	Polyamide PA6 V-2
Sealing ring	Polychloroprene-Nitrile rubber CR/NBR
Gland body	Brass CuZn39Pb3, nickel-plated
O-ring	Nitrile rubber
Connecting thread	Pg as per DIN 40430




Properties

	<ul style="list-style-type: none"> integrated anchorage protection against twisting, wide sealing and clamping range easy-to-install
Temperature range	-20°C +100°C
Protection grade	IP68 5bar




Features

Connecting thread standard length

A	ØC	L	SW1	SW2	H		Part No.
	mm	mm	mm	mm	mm	Piece	
Pg 7	3 - 6,5	5	14	14	24	100	50.007
Pg 9	4 - 8	6	17	17	29	100	50.009
Pg 11	5 - 10	6	20	20	29,5	50	50.011
Pg 13,5	6 - 12	6,5	22	22	31,5	50	50.013
Pg 16	10 - 14	6,5	24	24	31,5 ¹	50	50.016
Pg 21	13 - 18	7	30	30	34	50	50.021
Pg 29	18 - 25	8	40	40	39	25	50.029
Pg 36	24 - 32	9	50	50	45	10	50.036
Pg 42	30 - 38	10	57	57	49	5	50.042
Pg 48	34 - 44	10	64	64	52	5	50.048

Connecting thread long

A	ØC	L	SW1	SW2	H		Part No.
	mm	mm	mm	mm	mm	Piece	
Pg 7	3 - 6,5	15	14	14	34	100	50.007-15MM
Pg 9	4 - 8	15	17	17	38	100	50.009-15MM
Pg 11	5 - 10	15	20	20	38,5	50	50.011-15MM
Pg 13,5	6 - 12	15	22	22	40	50	50.013-15MM
Pg 16	10 - 14	15	24	24	40	50	50.016-15MM
Pg 21	13 - 18	15	30	30	42	50	50.021-15MM
Pg 29	18 - 25	15	40	40	46	25	50.029-15MM