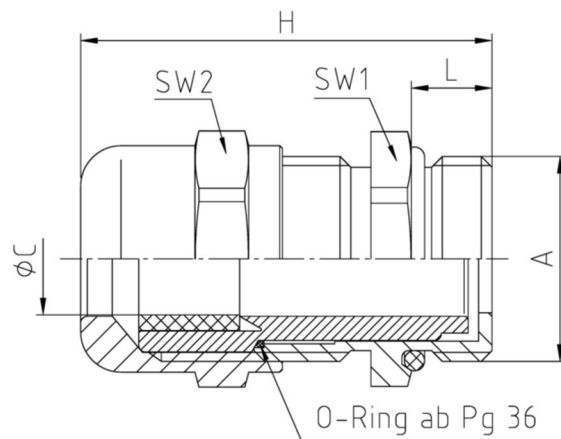


### Configuration

Dome nut	Brass CuZn39Pb3, nickel-plated
Lamellar insert	Polyamide PA6 V-2
Sealing ring	Polychloroprene-Nitrile rubber CR/NBR
Gland body	Brass CuZn39Pb3, nickel-plated
O-ring	Nitrile rubber
Connecting thread	Pg as per DIN 40430


### Properties


	<ul style="list-style-type: none"> <li>• for cables with shielding</li> <li>• integrated anchorage</li> <li>• protection against twisting,</li> <li>• wide sealing and clamping range</li> </ul>
Temperature range	-20°C +100°C
Protection grade	IP68 5bar



### Features

Connecting thread standard length

A	ØC	L	SW1	SW2	H		Part No.
	mm	mm	mm	mm	mm	Piece	
Pg 7	3 - 6,5	5	14	14	24	100	50.007/EMV
Pg 9	4 - 8	6	17	17	29	100	50.009/EMV
Pg 11	5 - 10	6	20	20	29,5	100	50.011/EMV
Pg 13,5	6 - 12	6,5	22	22	31,5	50	50.013/EMV
Pg 16	10 - 14	6,5	24	24	31,5 <sup>1</sup>	50	50.016/EMV
Pg 21	13 - 18	7	30	30	34	25	50.021/EMV
Pg 29	18 - 25	8	40	40	39	25	50.029/EMV

A	ØC	L	SW1	SW2	H		Part No.
	mm	mm	mm	mm	mm	Piece	
Pg 36	24 - 32	9	50	50	45	10	50.036/EMV
Pg 42	30 - 38	10	57	57	49	5	50.042/EMV
Pg 48	34 - 44	10	64	64	52	5	50.048/EMV