



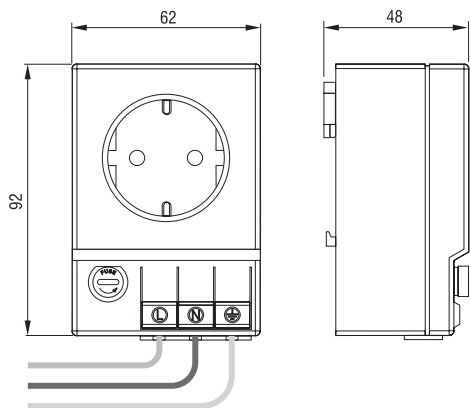
- **Quickly connected**
- **Available with or without fuse**
- **Clip fixing**

The DIN rail mounted electrical socket can be quickly fitted and connected in enclosures allowing the use of auxiliary products such as hand lamps, measuring devices, soldering irons etc. The unit is available with and without fuse and in many world socket standards.

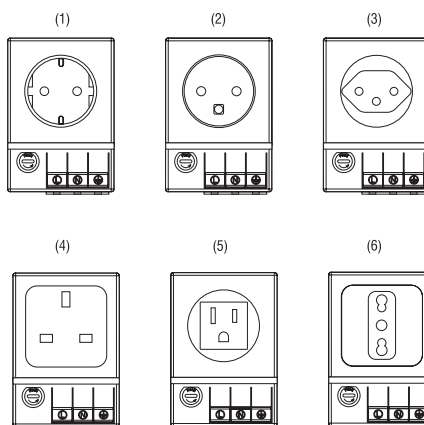


Technical Data

Connection	3 x pressure clamps for stranded and rigid wire 0.5 - 2.5mm ²
Mounting	clip for 35mm DIN rail, EN50022
Casing	plastic according to UL94 V-0, light grey
Dimensions	92 x 62 x 48mm
Weight	approx. 0.20kg
Fitting position	variable
Operating/Storage temperature	-45 to +70°C (-49 to +158°F)
Protection type/Protection class	IP20 / I (earthed)



Connections from mains



Art. No.	Operating Voltage max.	Socket	Model	Nominal Current	Approvals
03500.0-00	250VAC	Germany (1)	with fuse*	6.3A	-
03500.0-01	250VAC	Germany (1)	without fuse	16.0A	-
03501.0-00	250VAC	France/Poland (2)	with fuse*	6.3A	-
03501.0-01	250VAC	France/Poland (2)	without fuse	16.0A	-
03502.0-00	250VAC	Switzerland (3)	with fuse*	6.3A	-
03502.0-01	250VAC	Switzerland (3)	without fuse	10.0A	-
03503.0-00	250VAC	UK/Ireland (4)	with fuse*	6.3A	-
03503.0-01	250VAC	UK/Ireland (4)	without fuse	13.0A	-
03504.0-00	125VAC	USA/Canada (5)	with fuse*	6.3A	UL File No. E222026
03504.0-01	125VAC	USA/Canada (5)	without fuse	15.0A	UL File No. E222026
03505.0-00	250VAC	Italy (6)	with fuse*	6.3A	-
03505.0-01	250VAC	Italy (6)	without fuse	16.0A	-

*fuse Ø 5 x 20mm