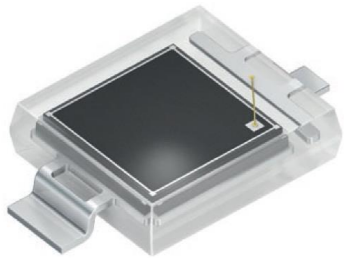


SFH 2401 – DIL SMT

Silicon PIN Photodiode with Enhanced Blue Sensitivity



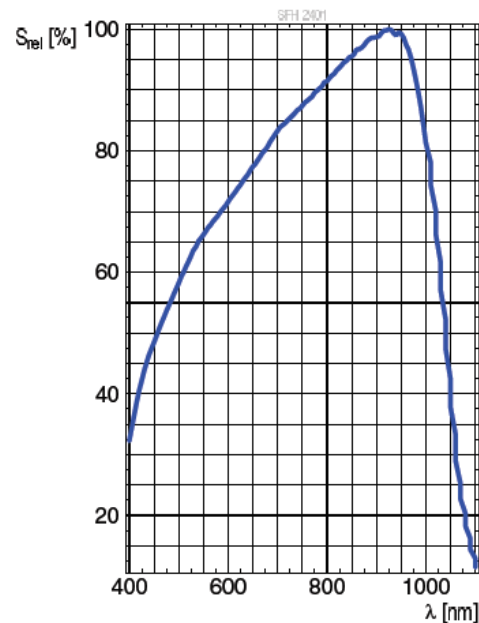
Product features

- Enhanced blue and green sensitivity
- DIL plastic package with high packing density

Target Applications

- Industrial Automation (Machine Controls, Light Barriers, Vision Controls)

Relative spectral sensitivity:



Type	Photocurrent min.	Photocurrent typ.	Ordering Code
SFH 2401	$\geq 10 \mu\text{A}$	$13 \mu\text{A}$	Q65112A6727

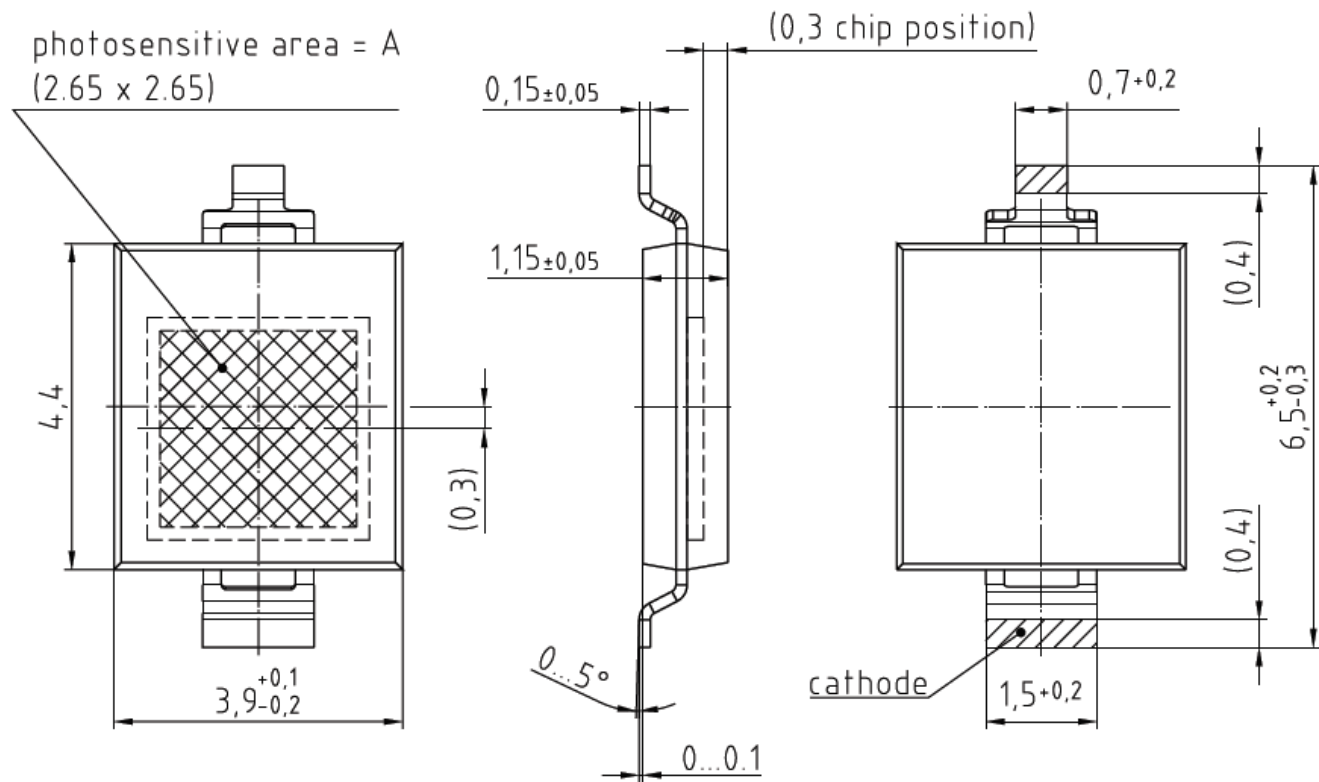
SFH 2401 – DIL SMT

Silicon PIN Photodiode with Enhanced Blue Sensitivity



IN PRODUCTION

Package drawing



general tolerance ± 0.1

lead finish Sn 

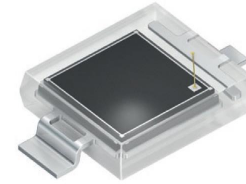
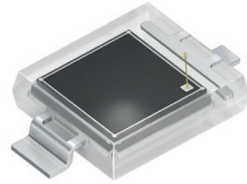
C63062-A4299-A1-05

SFH 2401 – DIL SMT

Silicon PIN Photodiode with Enhanced Blue Sensitivity



IN PRODUCTION



	SFH 2401	BPW 34BS (discontinued)
Spectral range of sensitivity	300 ... 1100nm	350 ... 1100nm
Wavelength of mas sensitivy	950nm	850nm
Radiant sensitive area	8.12mm ²	7.45mm ²
Spectral sensitivy	76nA/lx	75nA/lx
Photocurrent	13μA	14.8μA

