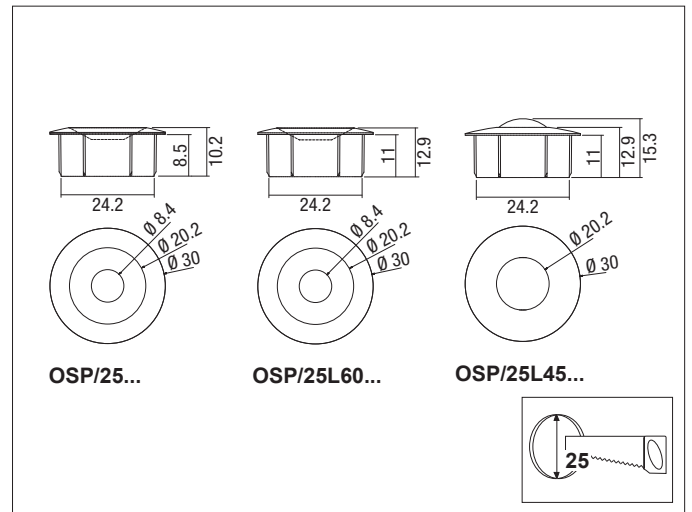
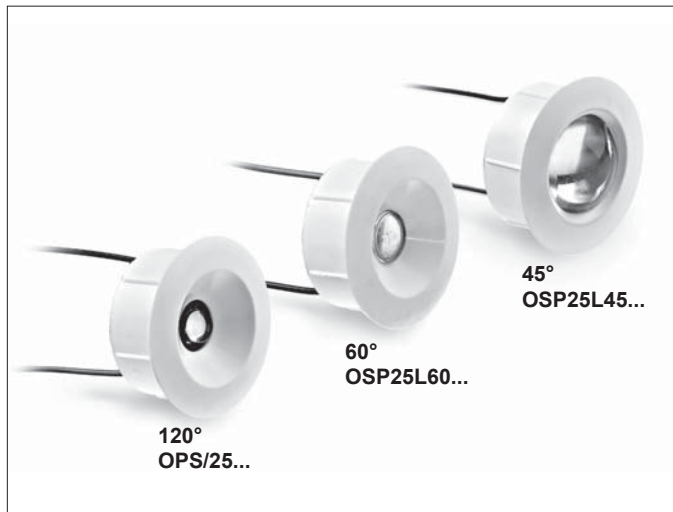


Optospot OSP1



Minispot da incasso per foro Ø 25 mm con un LED di potenza da 1W~ a 350 mA.

Corpo plastico disponibile in colore bianco (/B), trasparente (/I) e cromato (/MT).

Da utilizzarsi con alimentatori elettronici a corrente costante 350 mA.

Tre versioni: OSP/25/L1 senza lente; OSP/25L60/L1 con lente incorporata da 60° (Ø 8 mm); OSP/25L45/L1 con lente incorporata da 45° (Ø 13,7 mm).

Connessione con cavi unipolari lunghezza 25 cm.

I moduli sono caratterizzati considerando una vita media di 50.000 ore.

Attenzione: connettere esclusivamente in serie.

Minispot fitting a Ø 25 mm hole, equipped with high power 1W~ 350 mA LED.

Plastic body available in white (/B), transparent (/I) and chrome (/MT).

To be used with 350 mA constant current power supply.

Three versions: OSP/25/L1 without lens; OSP/25L60/L1 with built-in 60° lens (Ø 8 mm); OSP/25L45/L1 with built-in 45° lens (Ø 13,7 mm).

Wire connection with single pole 25 cm cables.

Modules characterization is based on average lifetime of 50.000 hours.

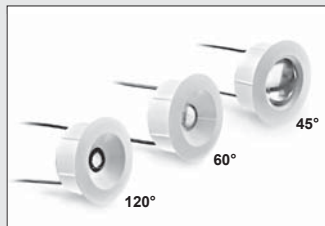
Warning: serial connection only.

		n LED	mA	V max	W max	ta	K	lm		cd	LPH mm		
OSP/25B/L1/B	<input type="checkbox"/>	1	350	3,8	1,3	45	6000	100	120	-	30x24,2x10,2	10	9,0
OSP/25B/L1/BC	<input type="checkbox"/>	1	350	3,8	1,3	45	3000	70	120	-	30x24,2x10,2	10	9,0
OSP/25I/L1/B	<input checked="" type="checkbox"/>	1	350	3,8	1,3	45	6000	100	120	-	30x24,2x10,2	10	9,0
OSP/25I/L1/BC	<input checked="" type="checkbox"/>	1	350	3,8	1,3	45	3000	70	120	-	30x24,2x10,2	10	9,0
OSP/25MT/L1/B	<input checked="" type="checkbox"/>	1	350	3,8	1,3	45	6000	100	120	-	30x24,2x10,2	10	9,0
OSP25MTL1BC	<input checked="" type="checkbox"/>	1	350	3,8	1,3	45	3000	70	120	-	30x24,2x10,2	10	9,0
OSP25L45BL1B	<input type="checkbox"/>	1	350	3,8	1,3	45	6000	100	45	72	30x24,2x15,3	10	10,0
OSP25L45BL1BC	<input type="checkbox"/>	1	350	3,8	1,3	45	3000	70	45	51	30x24,2x15,3	10	10,0
OSP25L45IL1B	<input checked="" type="checkbox"/>	1	350	3,8	1,3	45	6000	100	45	72	30x24,2x15,3	10	10,0
OSP25L45IL1BC	<input checked="" type="checkbox"/>	1	350	3,8	1,3	45	3000	70	45	51	30x24,2x15,3	10	10,0
OSP25L45MTL1B	<input checked="" type="checkbox"/>	1	350	3,8	1,3	45	6000	100	45	72	30x24,2x15,3	10	10,0
OSP25L45ML1BC	<input checked="" type="checkbox"/>	1	350	3,8	1,3	45	3000	70	45	51	30x24,2x15,3	10	10,0
OSP25L60BL1B	<input type="checkbox"/>	1	350	3,8	1,3	45	6000	100	60	54	30x24,2x12,9	10	10,0
OSP25L60BL1BC	<input type="checkbox"/>	1	350	3,8	1,3	45	3000	70	60	38	30x24,2x12,9	10	10,0
OSP25L60IL1B	<input checked="" type="checkbox"/>	1	350	3,8	1,3	45	6000	100	60	54	30x24,2x12,9	10	10,0
OSP25L60IL1BC	<input checked="" type="checkbox"/>	1	350	3,8	1,3	45	3000	70	60	38	30x24,2x12,9	10	10,0
OSP25L60MTL1B	<input checked="" type="checkbox"/>	1	350	3,8	1,3	45	6000	100	60	54	30x24,2x12,9	10	10,0
OSP25L60ML1BC	<input checked="" type="checkbox"/>	1	350	3,8	1,3	45	3000	70	60	38	30x24,2x12,9	10	10,0



Vedi dati fotometrici Pag. 654
See photometric data Page 654

Optospot OSP1



6000K - 350mA		45°		EPK
Ø 0.41 m	0,5 m			288 lux
Ø 0.83 m	1 m			72 lux
Ø 1.66 m	2 m			18 lux
Ø 2.49 m	3 m			8 lux

OSP/25L45

3000K - 350mA		45°		EPK
Ø 0.41 m	0,5 m			204 lux
Ø 0.83 m	1 m			51 lux
Ø 1.66 m	2 m			13 lux
Ø 2.49 m	3 m			6 lux

OSP/25L45

6000K - 350mA		60°		EPK
Ø 0.58 m	0,5 m			216 lux
Ø 1.16 m	1 m			54 lux
Ø 2.31 m	2 m			14 lux
Ø 3.46 m	3 m			6 lux

OSP/25L60

3000K - 350mA		60°		EPK
Ø 0.58 m	0,5 m			152 lux
Ø 1.16 m	1 m			38 lux
Ø 2.31 m	2 m			10 lux
Ø 3.46 m	3 m			5 lux

OSP/25L60

Optospot R11



6000K - 350mA		N		EPK
Ø 0.10 m	0,5 m			9720 lux
Ø 0.19 m	1 m			2430 lux
Ø 0.39 m	2 m			608 lux
Ø 0.58 m	3 m			270 lux

R11/N/B

3000K - 350mA		N		EPK
Ø 0.10 m	0,5 m			6480 lux
Ø 0.19 m	1 m			1620 lux
Ø 0.39 m	2 m			405 lux
Ø 0.58 m	3 m			180 lux

R11/N/BC

6000K - 500mA		N		EPK
Ø 0.10 m	0,5 m			12672 lux
Ø 0.19 m	1 m			3168 lux
Ø 0.39 m	2 m			792 lux
Ø 0.58 m	3 m			352 lux

R11/D2/N/B

3000K - 500mA		N		EPK
Ø 0.10 m	0,5 m			8640 lux
Ø 0.19 m	1 m			2160 lux
Ø 0.39 m	2 m			540 lux
Ø 0.58 m	3 m			240 lux

R11/D2/N/BC

6000K - 700mA		N		EPK
Ø 0.10 m	0,5 m			16920 lux
Ø 0.19 m	1 m			4230 lux
Ø 0.39 m	2 m			1058 lux
Ø 0.58 m	3 m			470 lux

R11/D3/N/B

3000K - 700mA		N		EPK
Ø 0.10 m	0,5 m			11520 lux
Ø 0.19 m	1 m			2880 lux
Ø 0.39 m	2 m			720 lux
Ø 0.58 m	3 m			320 lux

R11/D3/N/BC

6000K - 350mA		M		EPK
Ø 0.19 m	0,5 m			2160 lux
Ø 0.37 m	1 m			540 lux
Ø 0.74 m	2 m			135 lux
Ø 1.11 m	3 m			60 lux

R11/M/B

3000K - 350mA		M		EPK
Ø 0.19 m	0,5 m			1440 lux
Ø 0.37 m	1 m			360 lux
Ø 0.74 m	2 m			90 lux
Ø 1.11 m	3 m			40 lux

R11/M/BC

6000K - 500mA		M		EPK
Ø 0.19 m	0,5 m			2816 lux
Ø 0.37 m	1 m			704 lux
Ø 0.74 m	2 m			176 lux
Ø 1.11 m	3 m			78 lux

R11/D2/M/B

3000K - 500mA		M		EPK
Ø 0.19 m	0,5 m			1020 lux
Ø 0.37 m	1 m			480 lux
Ø 0.74 m	2 m			120 lux
Ø 1.11 m	3 m			53 lux

R11/D2/M/BC

6000K - 700mA		M		EPK
Ø 0.19 m	0,5 m			3760 lux
Ø 0.37 m	1 m			940 lux
Ø 0.74 m	2 m			235 lux
Ø 1.11 m	3 m			104 lux

R11/D3/M/B

3000K - 700mA		M		EPK
Ø 0.19 m	0,5 m			2560 lux
Ø 0.37 m	1 m			640 lux
Ø 0.74 m	2 m			160 lux
Ø 1.11 m	3 m			71 lux

R11/D3/M/BC