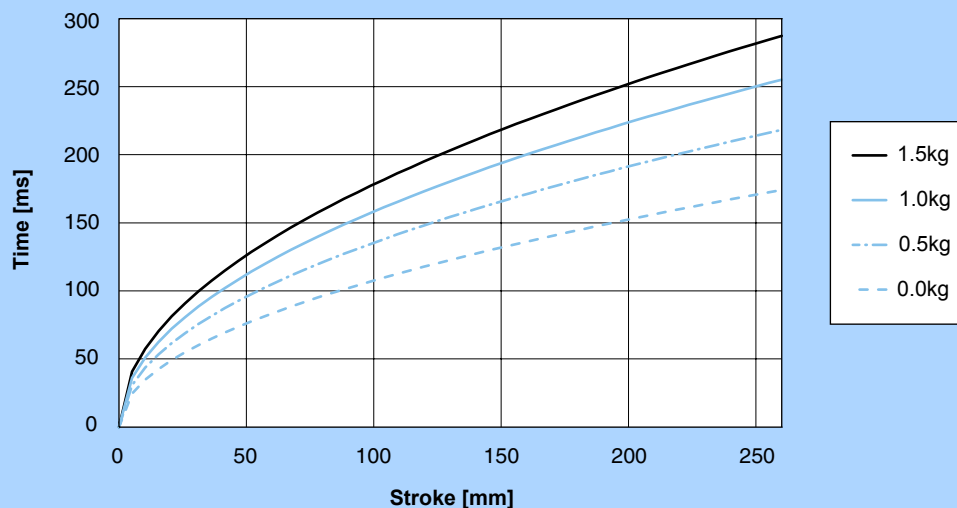


Positioning Times with LM01-23X80

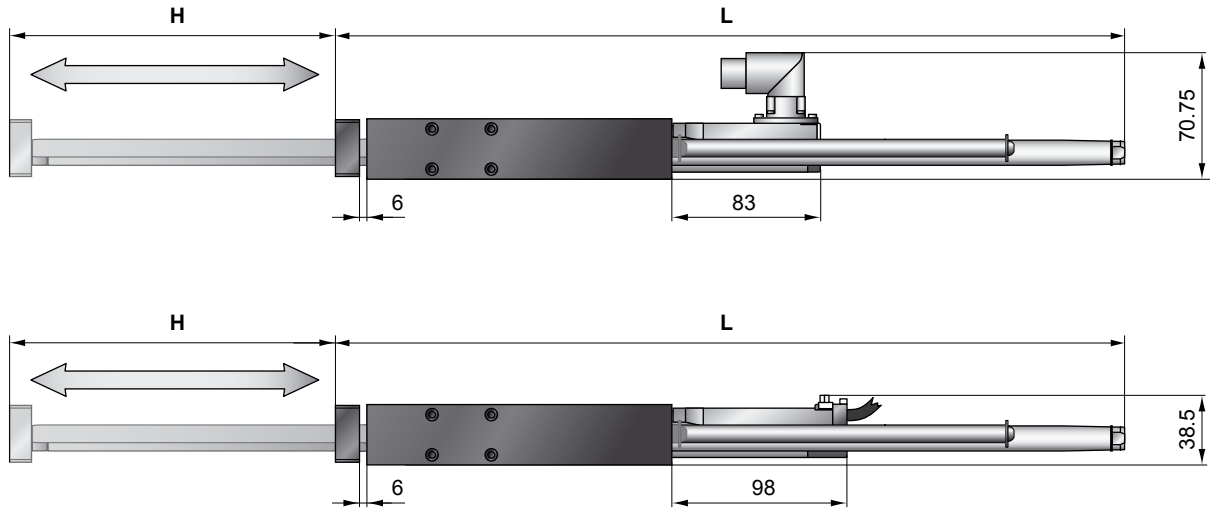


Minimum positioning times for horizontal motions with different load masses, controlled by an E1100-HC servo controller.

Ordering Information

LM01-23x80/60		Linear Module 23x80 with 60mm Stroke		
Linear Guide	H01-23x86/60	H01 for P01-23x80, 60mm Stroke, Ball Bearings	0150-5014	
	H01-23x86/60-GF	H01 for P01-23x80, 60mm Stroke, Plain Bushings	0150-5074	
Stator	PS01-23x80-R	Linear motor stator, connector R - IP67	0150-1233	
	PS01-23x80-R20	Linear motor stator, 0.2m Cable, connector R - IP67	0150-1241	
	PS01-23x80	Linear motor stator, 1.0m Cable, connector D	0150-1201	
Slider	PL01-12x190/140	Standard Slider for H01-23x86/60	0150-1302	
LM01-23x80/160		Linear Module 23x80 with 160mm Stroke		
Linear Guide	H01-23x86/160	H01 for P01-23x80, 160mm Stroke, Ball Bearings	0150-5015	
	H01-23x86/160-GF	H01 for P01-23x80, 160mm Stroke, Plain Bushings	0150-5075	
Stator	PS01-23x80-R	Linear motor stator, connector R - IP67	0150-1233	
	PS01-23x80-R20	Linear motor stator, 0.2m Cable, connector R - IP67	0150-1241	
	PS01-23x80	Linear motor stator, 1.0m Cable, connector D	0150-1201	
Slider	PL01-12x290/240	Standard Slider for H01-23x86/160	0150-1320	
LM01-23x80/260		Linear Module 23x80 with 260mm Stroke		
Linear Guide	H01-23x86/260	H01 for P01-23x80, 260mm Stroke, Ball Bearings	0150-5016	
	H01-23x86/260-GF	H01 for P01-23x80, 260mm Stroke, Plain Bushings	0150-5076	
Stator	PS01-23x80-R	Linear motor stator, connector R - IP67	0150-1233	
	PS01-23x80-R20	Linear motor stator, 0.2m Cable, connector R - IP67	0150-1241	
	PS01-23x80	Linear motor stator, 1.0m Cable, connector D	0150-1201	
Slider	PL01-12x420/370	Standard Slider for H01-23x86/260	0150-1324	
Accessories				
Fan	HV01-23	Fan for H01-23 Linear Guides	0150-5050	
MagSpring	MF01-20/H23	Mounting flange for MagSpring M01-20x...	0250-2306	
	MA01-20/H23	Mounting adapter for MagSpring M01-20x...	0250-0116	
Center Sleeve	HC01-09/04	Center Sleeve D9x4mm	0150-3251	

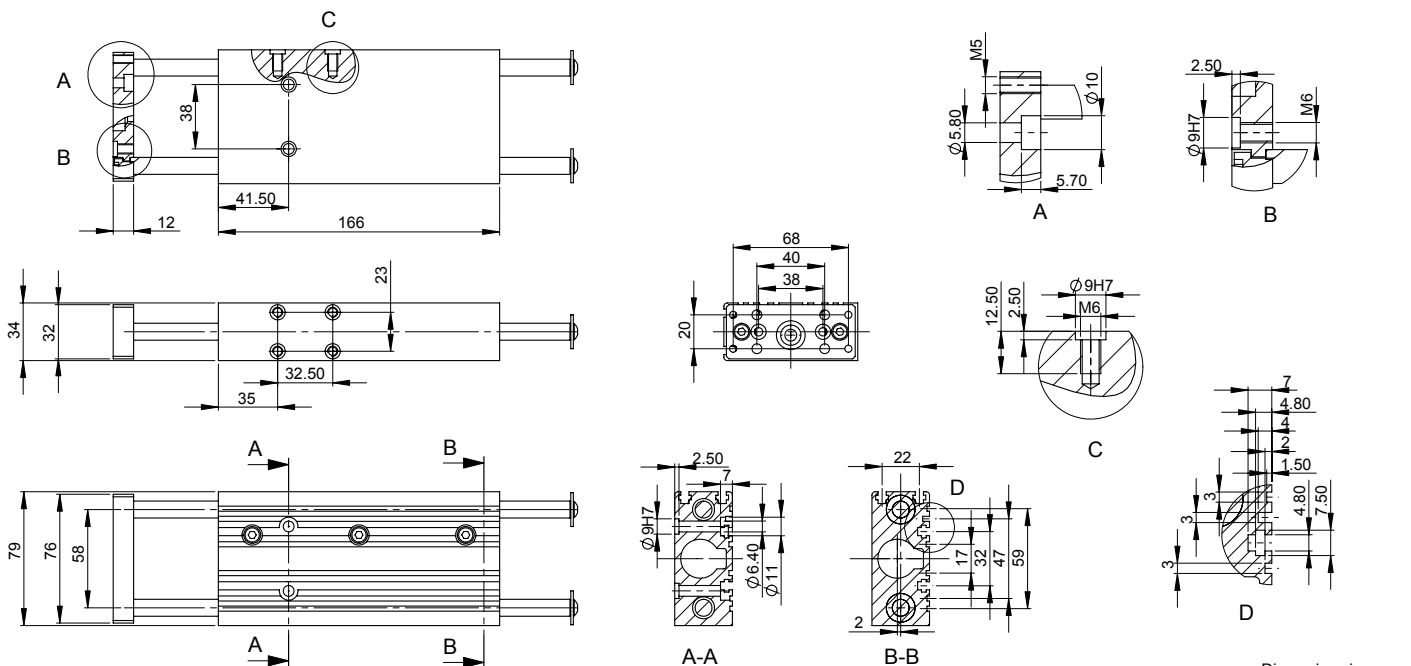
Linear module LM01-23X160



Linear Module	Bearing	Stroke H [mm (inch)]	Moving Parts L [mm (inch)]	Moving Mass ¹⁾ [g (lb)]	Total Weight ¹⁾ [g (lb)]
LM01-23X160/80	Ball Bearings	80 (3.15)	305.5 (12.03)	610 (1.34)	1890 (4.17)
LM01-23X160/180	Ball Bearings	180 (7.09)	435.5 (17.15)	860 (1.90)	2140 (4.72)
LM01-23X160/280	Ball Bearings	280 (11.02)	495.5 (19.51)	1020 (2.25)	2300 (5.07)
LM01-23X160/80-GF	Plain Bushings	80 (3.15)	305.5 (12.03)	610 (1.34)	1890 (4.17)
LM01-23X160/180-GF	Plain Bushings	180 (7.09)	435.5 (17.15)	860 (1.90)	2140 (4.72)
LM01-23X160/280-GF	Plain Bushings	280 (11.02)	495.5 (19.51)	1020 (2.25)	2300 (5.07)

¹⁾ linear guide with linear motor

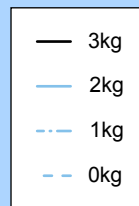
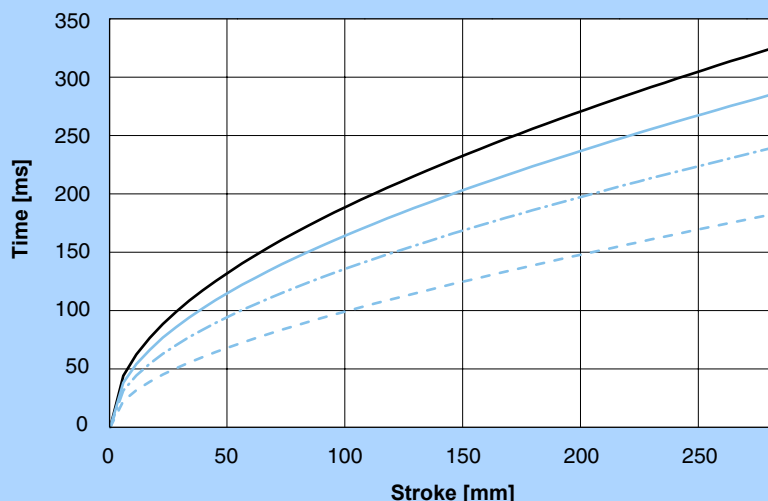
Linear Guides H01-23X166



Dimensions in mm

Materials	Guide Block & Front Plate	Guide Shaft	Bearing	Wipers	
H01-23x166/...	Ball Bearings	Anodized Aluminum	Hardened Steel	Steel	Nitrile Rubber
H01-23x166/...-GF	Plain Bushings	Anodized Aluminum	Stainless Steel 1.4104	Sintered Bronze	Nitrile Rubber

Positioning Times with LM01-23X160



Minimum positioning times for horizontal motions with different load masses, controlled by an E1100-HC servo controller.

Ordering Information

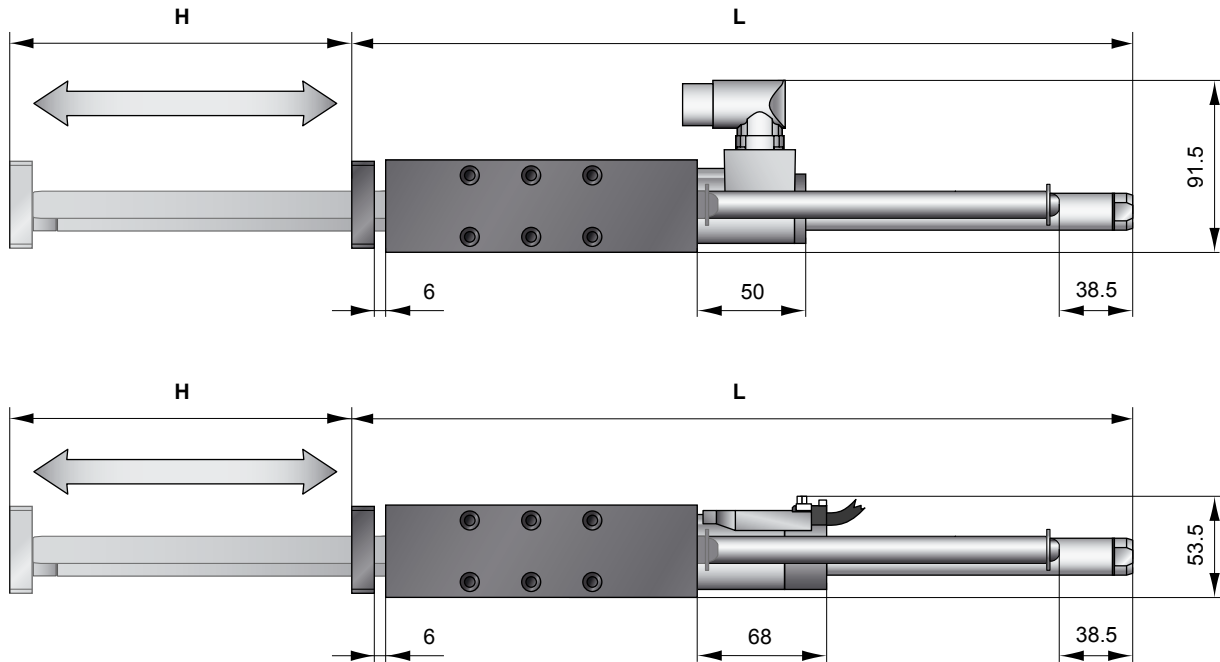
LM01-23x160/80		Linear Module 23x160 with 80mm Stroke		
Linear Guide	H01-23x166/80	H01 for P01-23x160, 80mm Stroke, Ball Bearings		0150-5017
	H01-23x166/80-GF	H01 for P01-23x160, 80mm Stroke, Plain Bushings		0150-5077
Stator	PS01-23x160-R	Linear motor stator, connector R - IP67		0150-1234
	PS01-23x160F-R	Linear motor stator, connector R - IP67	Fast Winding	0150-1235
	PS01-23x160-R20	Linear motor stator, 0.2m Cable, connector R - IP67		0150-1242
	PS01-23x160F-R20	Linear motor stator, 0.2m Cable, connector R - IP67	Fast Winding	0150-1243
	PS01-23x160	Linear motor stator, 1.0m Cable, connector D		0150-1202
Slider	PL01-12x290/240	Standard Slider for H01-23x166/80		0150-1320

LM01-23x160/180		Linear Module 23x160 with 180mm Stroke		
Linear Guide	H01-23x166/180	H01 for P01-23x160, 180mm Stroke, Ball Bearings		0150-5018
	H01-23x166/180-GF	H01 for P01-23x160, 180mm Stroke, Plain Bushings		0150-5078
Stator	PS01-23x160-R	Linear motor stator, connector R - IP67		0150-1234
	PS01-23x160F-R	Linear motor stator, connector R - IP67	Fast Winding	0150-1235
	PS01-23x160-R20	Linear motor stator, 0.2m Cable, connector R - IP67		0150-1242
	PS01-23x160F-R20	Linear motor stator, 0.2m Cable, connector R - IP67	Fast Winding	0150-1243
	PS01-23x160	Linear motor stator, 1.0m Cable, connector D		0150-1202
Slider	PL01-12x420/370	Standard Slider for H01-23x166/180		0150-1324

LM01-23x160/280		Linear Module 23x160 with 280mm Stroke		
Linear Guide	H01-23x166/280	H01 for P01-23x160, 280mm Stroke, Ball Bearings		0150-5019
	H01-23x166/280-GF	H01 for P01-23x160, 280mm Stroke, Plain Bushings		0150-5079
Stator	PS01-23x160-R	Linear motor stator, connector R - IP67		0150-1234
	PS01-23x160F-R	Linear motor stator, connector R - IP67	Fast Winding	0150-1235
	PS01-23x160-R20	Linear motor stator, 0.2m Cable, connector R - IP67		0150-1242
	PS01-23x160F-R20	Linear motor stator, 0.2m Cable, connector R - IP67	Fast Winding	0150-1243
	PS01-23x160	Linear motor stator, 1.0m Cable, connector D		0150-1202
Slider	PL01-12x480/430	Standard Slider for H01-23x166/280		0150-1372

Accessories				
Fan	HV01-23	Fan for H01-23 Linear Guides		0150-5050
MagSpring	MF01-20/H23	Mounting flange for MagSpring M01-20x...		0250-2306
	MA01-20/H23	Mounting adapter for MagSpring M01-20x...		0250-0116
Center Sleeve	HC01-09/04	Center Sleeve D9x4mm		0150-3251

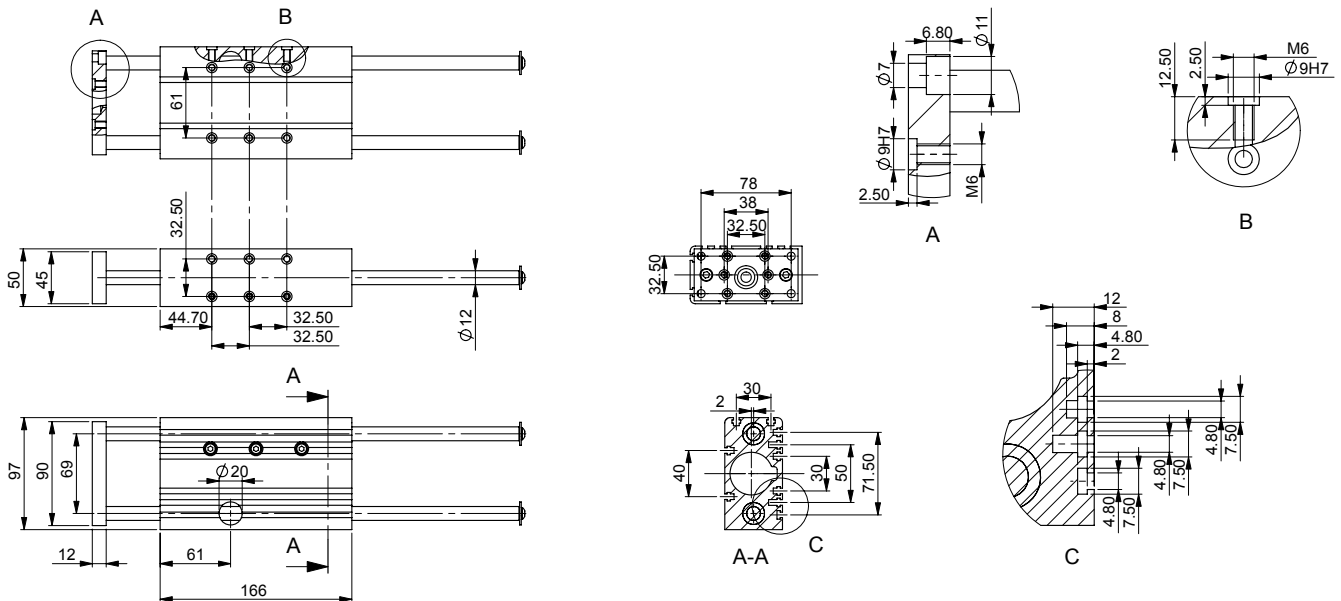
Linear module LM01-37x120



Linear Module	Bearing	Stroke H [mm (inch)]	Moving Parts L [mm (inch)]	Moving Mass ¹⁾ [g (lb)]	Total Weight ¹⁾ [g (lb)]
LM01-37x120/80	Ball Bearings	80 (3.15)	318 (12.52)	1190 (2.62)	3260 (7.18)
LM01-37x120/180	Ball Bearings	180 (7.09)	413 (16.26)	1600 (3.53)	3670 (8.09)
LM01-37x120/280	Ball Bearings	280 (11.02)	518 (20.39)	2030 (4.46)	4100 (9.03)
LM01-37x120/80-GF	Plain Bushings	80 (3.15)	318 (12.52)	1190 (2.62)	3260 (7.18)
LM01-37x120/180-GF	Plain Bushings	180 (7.09)	413 (16.26)	1600 (3.53)	3670 (8.09)
LM01-37x120/280-GF	Plain Bushings	280 (11.02)	518 (20.39)	2030 (4.46)	4100 (9.03)

¹⁾ linear guide with linear motor

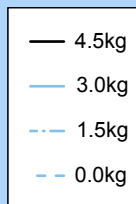
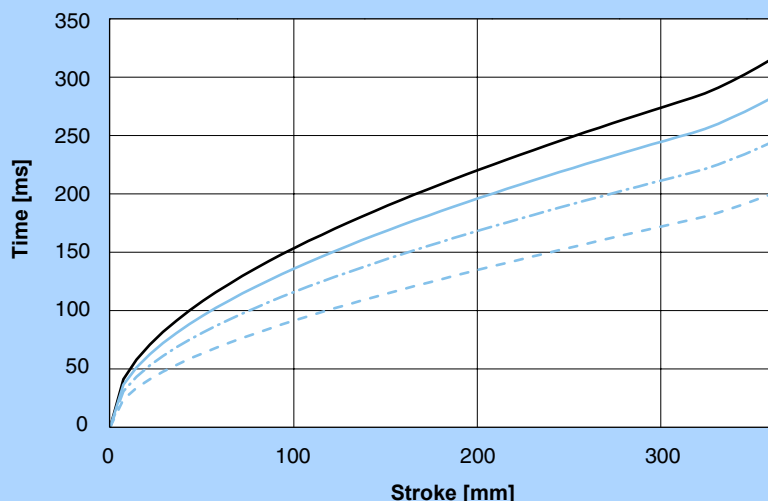
Linear Guides H01-37X166



Dimensions in mm

Materials	Guide Block & Front Plate	Guide Shaft	Bearing	Wipers	
H01-37x166/...	Ball Bearings	Anodized Aluminum	Hardened Steel	Steel	Nitrile Rubber
H01-37x166/...-GF	Plain Bushings	Anodized Aluminum	Stainless Steel 1.4104	Sintered Bronze	Nitrile Rubber

Positioning Times with LM01-37x120



Minimum positioning times for horizontal motions with different load masses, controlled by an E1100-HC servo controller.

Ordering Information

LM01-37x120/80		Linear Module 37x120 with 80mm Stroke		
Linear Guide	H01-37x166/80	H01 for P01-37x120, 80mm Stroke, Ball Bearings		0150-5020
	H01-37x166/80-GF	H01 for P01-37x120, 80mm Stroke, Plain Bushings		0150-5080
Stator	PS01-37x120-C	Linear motor stator, connector C - IP67		0150-1223
	PS01-37x120-C20	Linear motor stator, 0.2m Cable, connector C - IP67		0150-1237
	PS01-37x120	Linear motor stator, 1.5m Cable, connector P		0150-1204
Slider	PL01-20x300/220	Standard Slider for H01-37x166/80		0150-1348

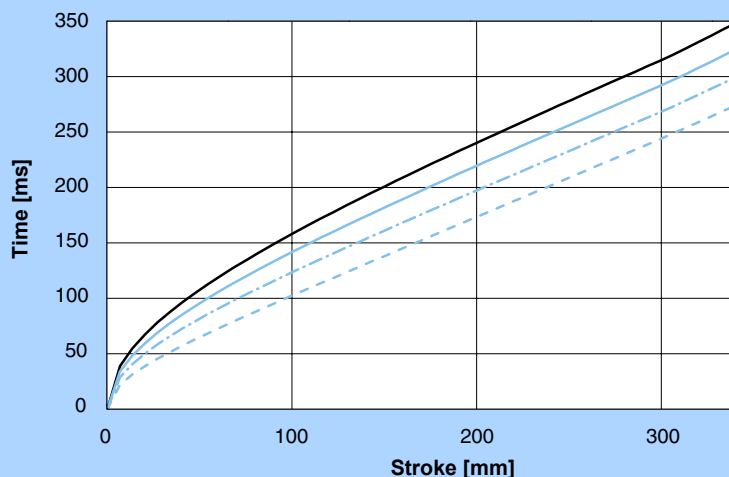
LM01-37x120/180		Linear Module 37x120 with 180mm Stroke		
Linear Guide	H01-37x166/180	H01 for P01-37x120, 180mm Stroke, Ball Bearings		0150-5021
	H01-37x166/180-GF	H01 for P01-37x120, 180mm Stroke, Plain Bushings		0150-5081
Stator	PS01-37x120-C	Linear motor stator, connector C - IP67		0150-1223
	PS01-37x120-C20	Linear motor stator, 0.2m Cable, connector C - IP67		0150-1237
	PS01-37x120	Linear motor stator, 1.5m Cable, connector P		0150-1204
Slider	PL01-20x395/320	Standard Slider for H01-37x166/180		0150-1318

LM01-37x120/280		Linear Module 37x120 with 280mm Stroke		
Linear Guide	H01-37x166/280	H01 for P01-37x120, 280mm Stroke, Ball Bearings		0150-5022
	H01-37x166/280-GF	H01 for P01-37x120, 280mm Stroke, Plain Bushings		0150-5082
Stator	PS01-37x120-C	Linear motor stator, connector C - IP67		0150-1223
	PS01-37x120-C20	Linear motor stator, 0.2m Cable, connector C - IP67		0150-1237
	PS01-37x120	Linear motor stator, 1.5m Cable, connector P		0150-1204
Slider	PL01-20x500/420	Standard Slider for H01-37x166/280		0150-1328

Accessories

Brake	HB01-37	Pneumatic Brake for H01-37/600N (4-6Bar)	0150-5052
Fan	HV01-37/48	Fan for H01-37 und -48 Linear Guides	0150-5051
MagSpring	MF01-37/H37	Mounting flange for MagSpring M01-37x...	0250-2307
	MA01-37/H37	Mounting adapter for MagSpring M01-37x...	0250-0117
Center Sleeve	HC01-09/04	Center Sleeve D9x4mm	0150-3251

Positioning Times with LM01-37x240

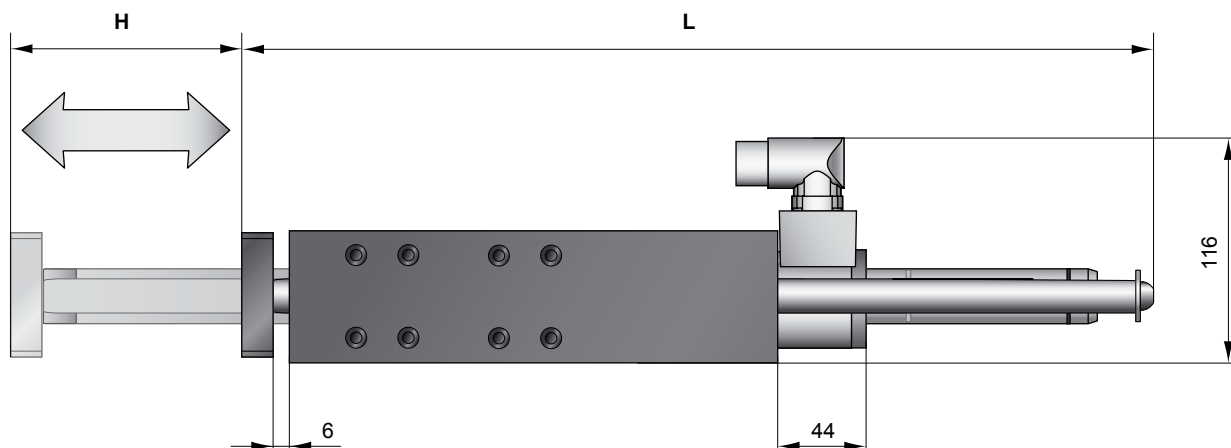


Minimum positioning times for horizontal motions with different load masses, controlled by an E1100-HC servo controller.

Ordering Information

LM01-37x240/60		Linear Module 37x240 with 60mm Stroke			
Linear Guide	H01-37x286/60	H01 for P01-37x240, 60mm Stroke, Ball Bearings		0150-5023	
	H01-37x286/60-GF	H01 for P01-37x240, 60mm Stroke, Plain Bushings		0150-5083	
Stator	PS01-37x240-C	Linear motor stator, connector C - IP67		0150-1224	
	PS01-37x240F-C	Linear motor stator, connector C - IP67	Fast Winding	0150-1225	
	PS01-37x240-C20	Linear motor stator, 0.2m Cable, connector C - IP67		0150-1238	
	PS01-37x240F-C20	Linear motor stator, 0.2m Cable, connector C - IP67	Fast Winding	0150-1239	
	PS01-37x240	Linear motor stator, 1.5m Cable, connector P		0150-1203	
Slider	PL01-20x395/320	Standard Slider for H01-37x286/60		0150-1318	
LM01-37x240/160		Linear Module 37x240 with 160mm Stroke			
Linear Guide	H01-37x286/160	H01 for P01-37x240, 160mm Stroke, Ball Bearings		0150-5024	
	H01-37x286/160-GF	H01 for P01-37x240, 160mm Stroke, Plain Bushings		0150-5084	
Stator	PS01-37x240-C	Linear motor stator, connector C - IP67		0150-1224	
	PS01-37x240F-C	Linear motor stator, connector C - IP67	Fast Winding	0150-1225	
	PS01-37x240-C20	Linear motor stator, 0.2m Cable, connector C - IP67		0150-1238	
	PS01-37x240F-C20	Linear motor stator, 0.2m Cable, connector C - IP67	Fast Winding	0150-1239	
	PS01-37x240	Linear motor stator, 1.5m Cable, connector P		0150-1203	
Slider	PL01-20x500/420	Standard Slider for H01-37x286/160		0150-1328	
LM01-37x240/260		Linear Module 37x240 with 260mm Stroke			
Linear Guide	H01-37x286/260	H01 for P01-37x240, 260mm Stroke, Ball Bearings		0150-5025	
	H01-37x286/260-GF	H01 for P01-37x240, 260mm Stroke, Plain Bushings		0150-5085	
Stator	PS01-37x240-C	Linear motor stator, connector C - IP67		0150-1224	
	PS01-37x240F-C	Linear motor stator, connector C - IP67	Fast Winding	0150-1225	
	PS01-37x240-C20	Linear motor stator, 0.2m Cable, connector C - IP67		0150-1238	
	PS01-37x240F-C20	Linear motor stator, 0.2m Cable, connector C - IP67	Fast Winding	0150-1239	
	PS01-37x240	Linear motor stator, 1.5m Cable, connector P		0150-1203	
Slider	PL01-20x600/520	Standard Slider for H01-37x286/260		0150-1330	
Accessories					
Brake	HB01-37	Pneumatic Brake for H01-37/600N (4-6Bar)		0150-5052	
Fan	HV01-37/48	Fan for H01-37 und -48 Linear Guides		0150-5051	
MagSpring	MF01-37/H37	Mounting flange for MagSpring M01-37x...		0250-2307	
	MA01-37/H37	Mounting adapter for MagSpring M01-37x...		0250-0117	
Center Sleeve	HC01-09/04	Center Sleeve D9x4mm		0150-3251	

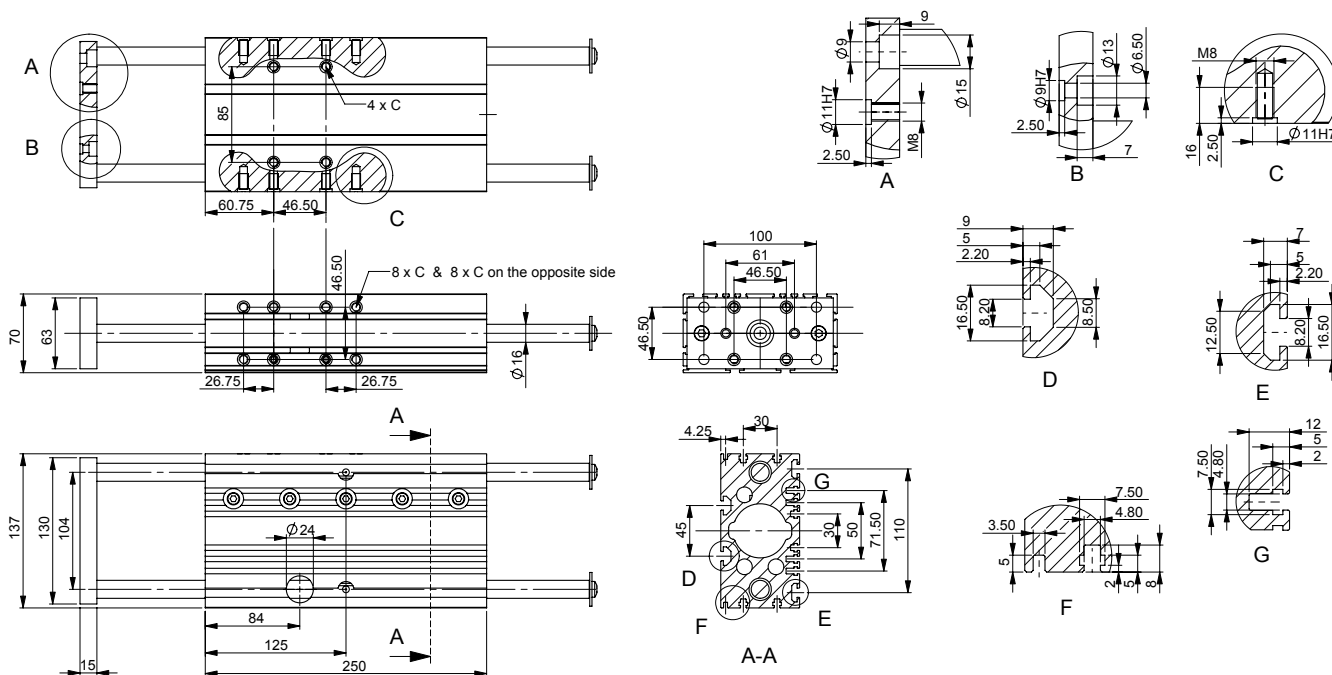
Linear module LM01-48x240



Linear Module	Bearing	Stroke H [mm (inch)]	Moving Parts L [mm (inch)]	Moving Mass ¹⁾ [g (lb)]	Total Weight ¹⁾ [g (lb)]
LM01-48X240/120	Ball Bearings	120 (4.72)	460 (18.11)	3400 (7.47)	8950 (19.66)
LM01-48X240/210	Ball Bearings	210 (8.27)	550 (21.65)	4100 (9.02)	9650 (21.21)
LM01-48X240/330	Ball Bearings	330 (12.99)	670 (26.38)	5050 (11.07)	10600 (23.26)
LM01-48X240/420	Ball Bearings	420 (16.54)	760 (29.92)	5750 (12.61)	11300 (24.80)
LM01-48X240/120-GF	Plain Bushings	120 (4.72)	460 (18.11)	3400 (7.47)	8950 (19.66)
LM01-48X240/210-GF	Plain Bushings	210 (8.27)	550 (21.65)	4100 (9.02)	9650 (21.21)
LM01-48X240/330-GF	Plain Bushings	330 (12.99)	670 (26.38)	5050 (11.07)	10600 (23.26)
LM01-48X240/420-GF	Plain Bushings	420 (16.54)	760 (29.92)	5750 (12.61)	11300 (24.80)

¹⁾ linear guide with linear motor

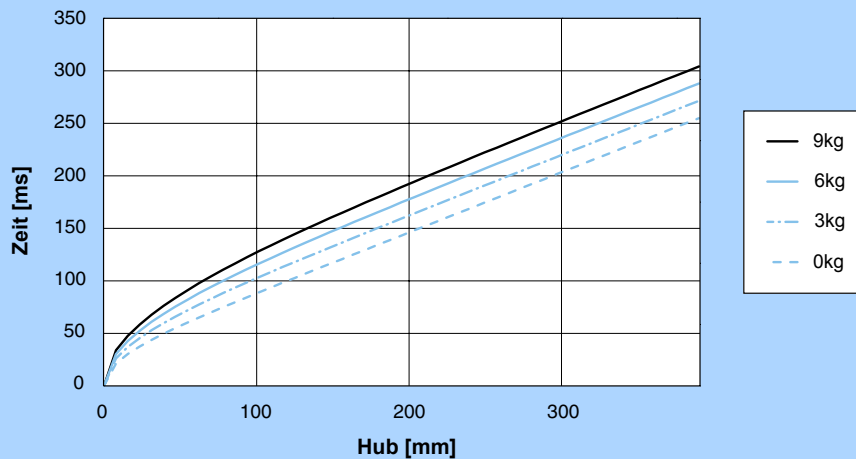
Linear Guides H01-48x250



Dimensions in mm

Materials	Guide Block & Front Plate	Guide Shaft	Bearing	Wipers	
H01-48x250/...	Ball Bearings	Anodized Aluminum	Hardened Steel	Steel	Nitrile Rubber
H01-48x250/...-GF	Plain Bushings	Anodized Aluminum	Stainless Steel 1.4104	Sintered Bronze	Nitrile Rubber

Positioning Times with LM01-48x240

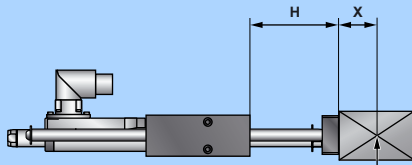


Minimum positioning times for horizontal motions with different load masses, controlled by an E1100-HC servo controller.

Ordering Information

LM01-48x240/120		Linear Module 48x240 with 120mm Stroke		
Linear Guide	H01-48x250/120	H01 for P01-48x240, 120mm Stroke, Ball Bearings		0150-5100
	H01-48x250/120-GF	H01 for P01-48x240, 120mm Stroke, Plain Bushings		0150-5104
Stator	PS01-48x240-C	Linear motor stator, connector C - IP67		0150-1219
	PS01-48x240F-C	Linear motor stator, connector C - IP67	Fast Winding	0150-1220
Slider	PL01-28x410/330	Standard Slider for H01-48x250/120		0150-1381
LM01-48x240/210		Linear Module 48x240 with 210mm Stroke		
Linear Guide	H01-48x250/210	H01 for P01-48x240, 210mm Stroke, Ball Bearings		0150-5101
	H01-48x250/210-GF	H01 for P01-48x240, 210mm Stroke, Plain Bushings		0150-5105
Stator	PS01-48x240-C	Linear motor stator, connector C - IP67		0150-1219
	PS01-48x240F-C	Linear motor stator, connector C - IP67	Fast Winding	0150-1220
Slider	PL01-28x500/420	Standard Slider for H01-48x250/210		0150-1382
LM01-48x240/330		Linear Module 48x240 with 330mm Stroke		
Linear Guide	H01-48x250/330	H01 for P01-48x240, 330mm Stroke, Ball Bearings		0150-5102
	H01-48x250/330-GF	H01 for P01-48x240, 330mm Stroke, Plain Bushings		0150-5106
Stator	PS01-48x240-C	Linear motor stator, connector C - IP67		0150-1219
	PS01-48x240F-C	Linear motor stator, connector C - IP67	Fast Winding	0150-1220
Slider	PL01-28x620/540	Standard Slider for H01-48x250/330		0150-1383
LM01-48x240/420		Linear Module 48x240 with 420mm Stroke		
Linear Guide	H01-48x250/420	H01 for P01-48x240, 420mm Stroke, Ball Bearings		0150-5103
	H01-48x250/420-GF	H01 for P01-48x240, 420mm Stroke, Plain Bushings		0150-5107
Stator	PS01-48x240-C	Linear motor stator, connector C - IP67		0150-1219
	PS01-48x240F-C	Linear motor stator, connector C - IP67	Fast Winding	0150-1220
Slider	PL01-28x710/630	Standard Slider for H01-48x250/420		0150-1384
Accessories				
Brake	HB01-48	Pneumatic Brake for H01-48/1000N (4-6Bar)		0150-5098
Fan	HV01-37/48	Fan for H01-37 und -48 Linear Guides		0150-5051
MagSpring	MF01-37/H37	Mounting flange for MagSpring M01-37x...		0250-2307
	MA01-37/H48	Mounting adapter for MagSpring M01-37x...		0250-0118
Sliding Block	PFN01-8/M6	Sliding Block 8mm with M6 Thread		0150-3245
Center Sleeve	HC01-11/05	Center Sleeve D11x5mm		0150-3252

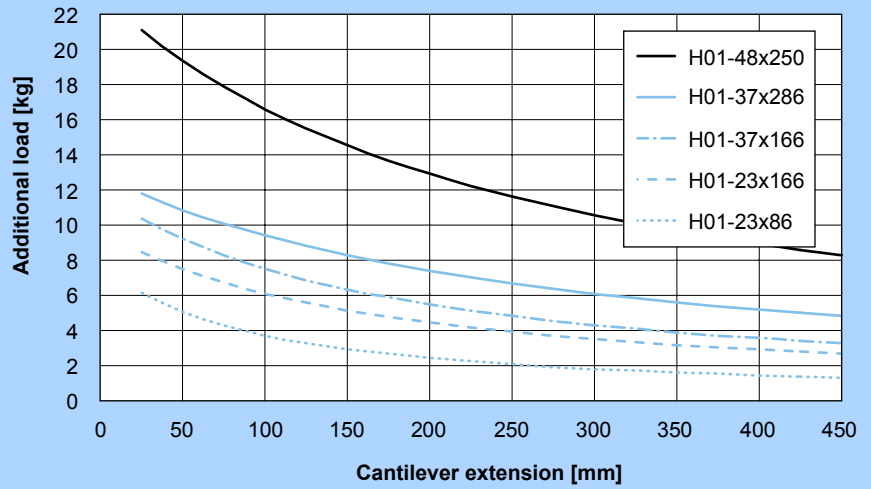
Maximum Load



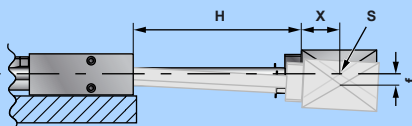
H = Stroke
 X = Distance to center of gravity
 S = Center of gravity

Cantilever extension = H + X

The maximum load depends on the cantilever extension (maximum stroke A plus distance between the center of gravity of the working load and the mounting surface).



Vertical Deflection

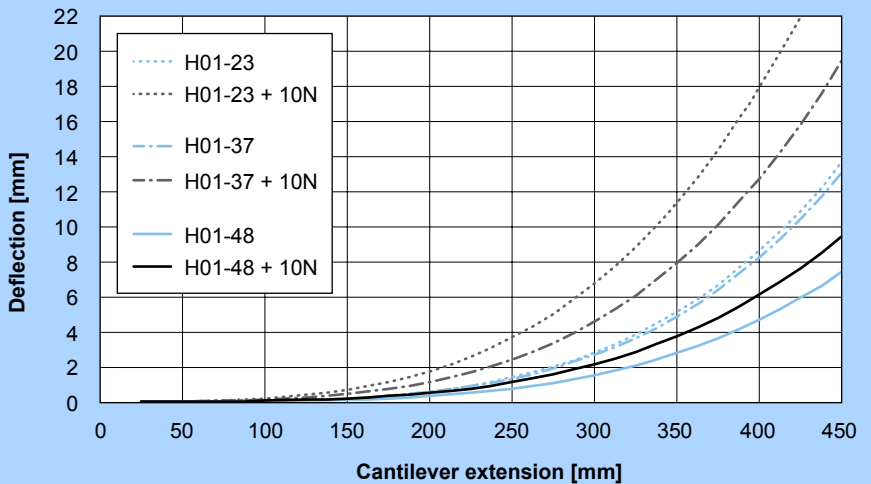


H = Stroke
 X = Distance to center of gravity
 f = Deflection of theoretical axis
 S = Center of gravity

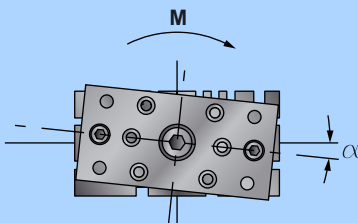
Total deflection = static deflection + deflection under load

Deflection measured at standstill, with 10 N / 2.25 lbf load.

Deflection for smaller or larger load masses can be linearly extrapolated using the data for 10 N / 2.25 lbf.

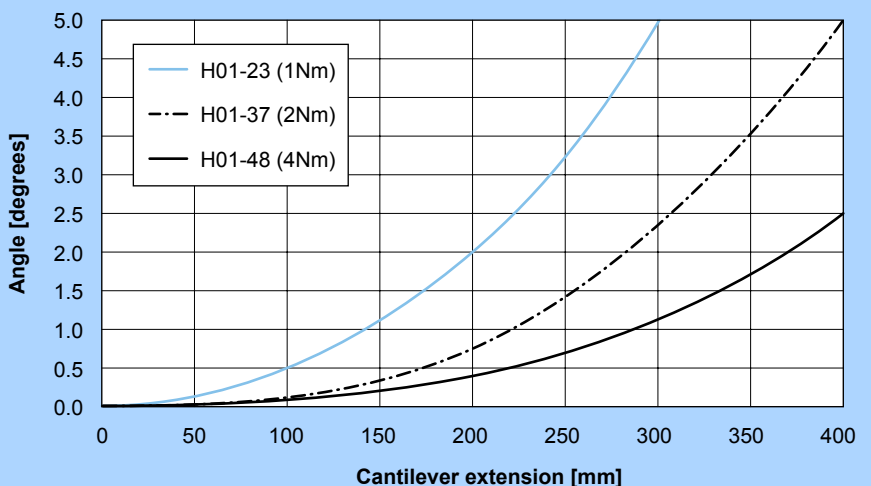


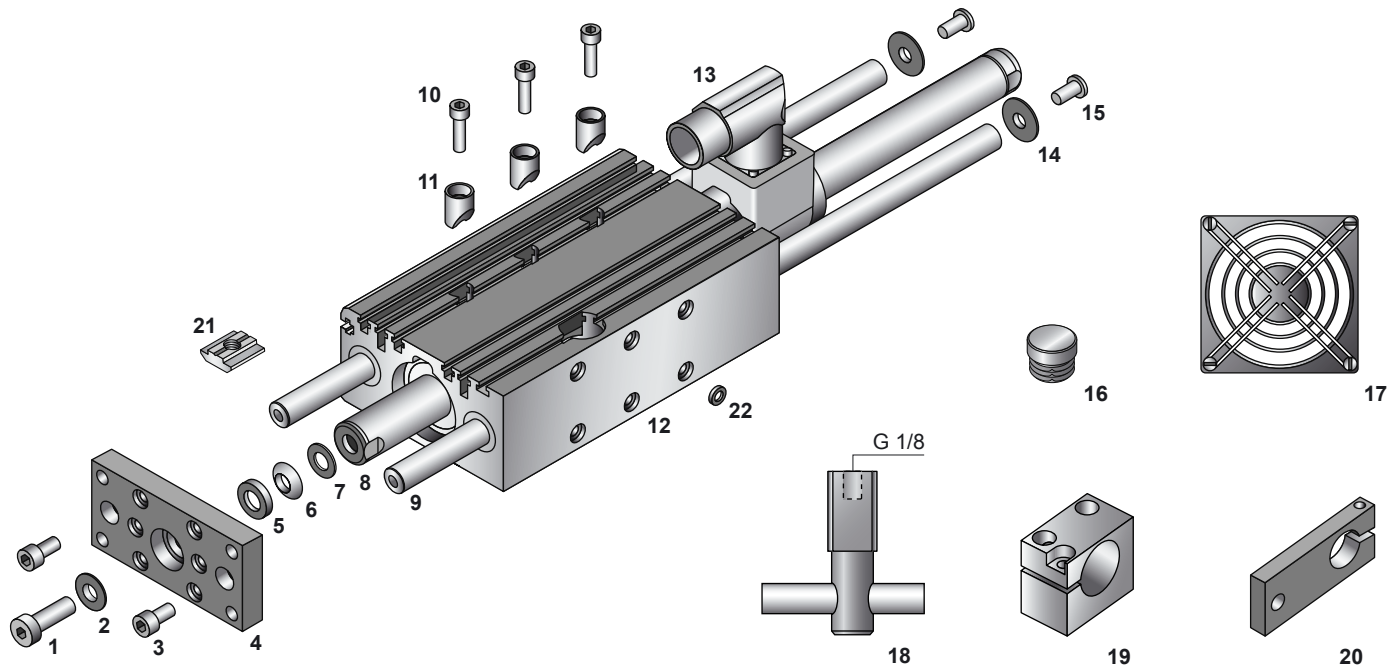
Angular Deflection



Angular deflection (twist) of the mounting plate depends on the torque load to be absorbed and the cantilever extension.

The angular deflection for smaller or larger torques can be linearly extrapolated from the deflection in the diagram.





Parts List						
	Linear Guide	H01-23x86	H01-23x166	H01-37x166	H01-37x286	H01-48x250
1	Slider screw	ISO 4762 M5x18	ISO 4762 M5x18	DIN7984 M8x25	DIN7984 M8x25	DIN7984 M10x35
2	Socket washer (f)	DIN 6319 c / M6	DIN 6319 c / M6	DIN 6319 c / M8	DIN 6319 c / M8	DIN 6319 c / M10
3	Shaft screw	ISO 4762 M5x12	ISO 4762 M5x12	ISO 4762 M6x12	ISO 4762 M6x12	ISO 4762 M8x20
4	Front plate	HF01-23 0150-5004	HF01-23 0150-5004	HF01-37 0150-5005	HF01-37 0150-5005	HF01-48 0150-5087
5	Ball washer (r)	DIN 6319 d / M5	DIN 6319 d / M5	DIN 6319 d / M8	DIN 6319 d / M8	DIN 6319 d / M10
6	Socket washer (r)	DIN 6319 c / M5	DIN 6319 c / M5	DIN 6319 c / M8	DIN 6319 c / M8	DIN 6319 c / M10
7	Dished washer	DIN 2093A 10/5,2/0,5	DIN 2093A 10/5,2/0,5	DIN 2093A 16/8,2/0,9	DIN 2093A 16/8,2/0,9	DIN 2093A 20/10,2/1,1
8	Slider	PL01-12x...	PL01-12x...	PL01-20x...	PL01-20x...	PL01-28x...
9	Hardened steel shafts for ball bearings	HL01-10x160 HL01-10x260 HL01-10x360	HL01-10x260 HL01-10x360 HL01-10x460	HL01-12x260 HL01-12x360 HL01-12x460	HL01-12x360 HL01-12x460 HL01-12x560	HL01-16x440 HL01-16x530 HL01-16x650 HL01-16x740
	Stainless steel shafts for plain bushings GF	HL01-10x160-GF HL01-10x260-GF HL01-10x360-GF	HL01-10x260-GF HL01-10x360-GF HL01-10x460-GF	HL01-12x260-GF HL01-12x360-GF HL01-12x460-GF	HL01-12x360-GF HL01-12x460-GF HL01-12x560-GF	HL01-16x440-GF HL01-16x530-GF HL01-16x650-GF HL01-16x740-GF
10	Clamping screw	ISO 4762 M5x18	ISO 4762 M5x18	ISO 4762 M5x18	ISO 4762 M5x18	ISO 4762 M6x25
11	Clamping cylinder	HZ01-23/37 0150-5053	HZ01-23/37 0150-5053	HZ01-23/37 0150-5053	HZ01-23/37 0150-5053	HZ01-48 0150-5086
12	Guide block with ball bearings	HS01-23x86 0150-5000	HS01-23x166 0150-5001	HS01-37x166 0150-5002	HS01-37x286 0150-5003	HS01-48x250 0150-5088
	Guide block with plain bushing GF	HS01-23x86-GF 0150-5060	HS01-23x166-GF 0150-5061	HS01-37x166-GF 0150-5062	HS01-37x286-GF 0150-5063	HS01-48x250-GF 0150-5089
13	Stator	PS01-23x80...	PS01-23x160...	PS01-37x120...	PS01-37x240...	PS01-48x240...
14	Washer	5x20/1,5	5x20/1,5	6x20/1,5	6x20/1,5	8x30/2,0
15	Shaft screw	ISO 7380 M5x12	ISO 7380 M5x12	ISO 7380 M6x12	ISO 7380 M6x12	ISO 7380 M8x16
16	Brake hole cap	-	-	HDPE 20mm	HDPE 20mm	HDPE 24mm
	Ball bearing	SKF LBBR10-LS	SKF LBBR10-LS	SKF LBBR12-LS	SKF LBBR12-LS	SKF LBBR16-LS
	Plain bushing GF	HGF01-23	HGF01-23	HGF01-37	HGF01-37	HGF01-48
Fan						
17	Set	HV01-23 0150-5050	HV01-23 0150-5050	HV01-37/48 0150-5051	HV01-37/48 0150-5051	HV01-37/48 0150-5051
Brake						
18	Pneumatic Brake	-	-	HB01-37 0150-5052	HB01-37 0150-5052	HB01-48 0150-5098
Magspring						
19	Flange	MF01-20/H23 0250-2306	MF01-20/H23 0250-2306	MF01-37/H37 0250-2307	MF01-37/H37 0250-2307	MF01-37/H37 0250-2307
20	Adapter	MA01-20/H23 0250-0116	MA01-20/H23 0250-0116	MA01-37/H37 0250-0117	MA01-37/H37 0250-0117	MA01-37/H48 0250-0118
Accessories						
21	Sliding Block	-	-	-	-	PFN01-8/M6 0150-3245
22	Center Sleeve	HC01-09/04 0150-3251	HC01-09/04 0150-3251	HC01-09/04 0150-3251	HC01-09/04 0150-3251	HC01-11/05 0150-3252