

Ultra compact and efficient 1-stage filter in ECO design for 3-phase systems

new



Description

- High attenuation value
- Cost optimized filter design with excellent price / performance ratio
- Very light due to partial potting

Standards

- UL 1283
- EN 133 200

Approvals

- VDE License Number: pending
- UL License Number: pending

Applications

- Voltage rating 480 VAC for world wide acceptance
- Especially designed for industrial applications such as: Frequency Converters, Stepper Motor Drives, UPS-Systems, Inverters
- Qualified for use in equipment according IEC/EN 60950

References

[General Product Information](#)

Weblinks

[Approvals](#), [RoHS](#), [CHINA-RoHS](#), [e-Store](#), [SCHURTER-Stock-Check](#), [Distributor-Stock-Check](#)

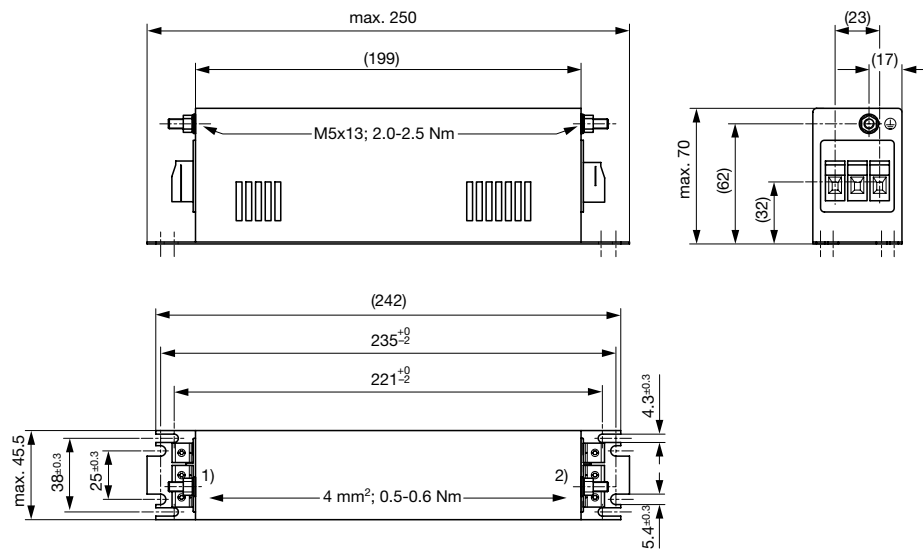
Technical Data

Rated Current	16 - 150A @ Ta 40°C
Rated Voltage	480VAC, 50/60 Hz
Approval for	16 - 150A @ Ta 40 °C / 480VAC; 50/60Hz
Leakage Current	< 33mA (440V / 50Hz)
Dielectric Strength for 480 VAC	> 2.25 kVDC between L-L > 3 kVDC between L-PE Test voltage 2 sec
Number of Filter Stages	1
Weight	1 - 7 kg
Sealing Compound	UL 94V-0

Mounting	Screw-on mounting on chassis, upright or lengthwise
Terminal	Screw terminals
Operating Temperature [°C]	-25°C to 100°C
Climatic Category	25/100/21 acc. to IEC 60068-1
Degree of Protection	IP 20 acc. to IEC 60529
Protection Class	Suitable for appliances with protection class I acc. to IEC 61140
MTBF	> 200'000h acc. to MIL-HB-217 F

Dimensions

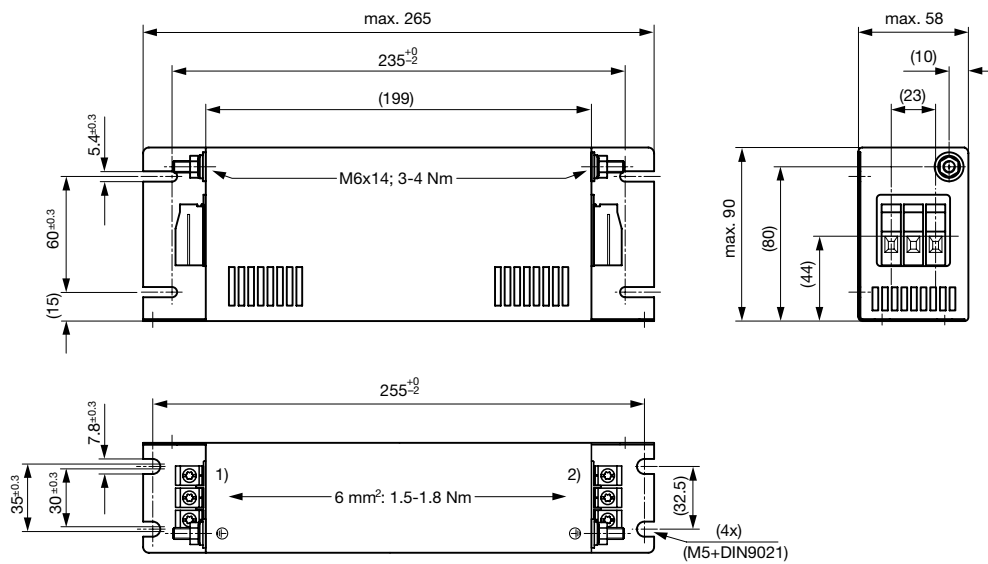
Case 1C



1) Line

2) Load

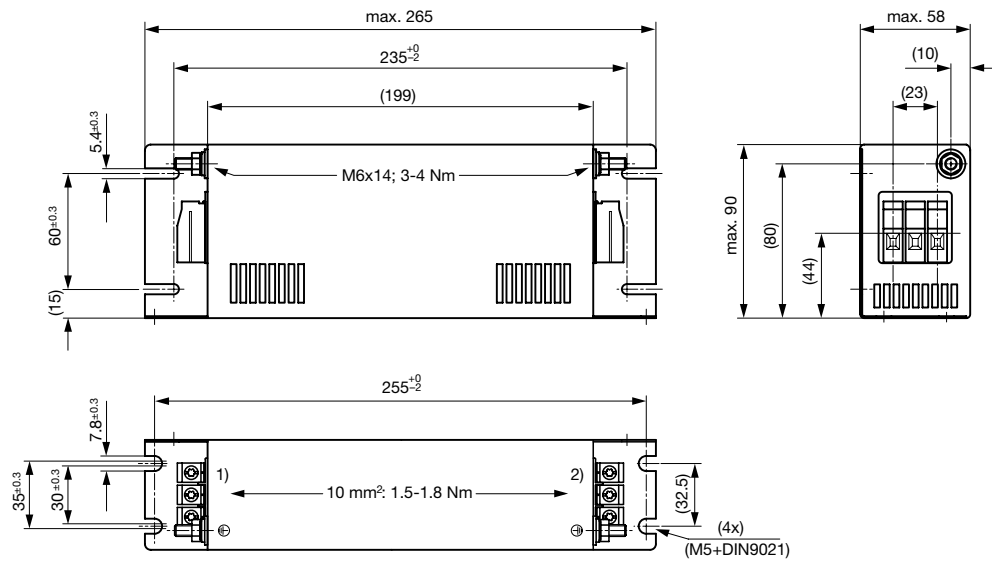
Case 1D-6



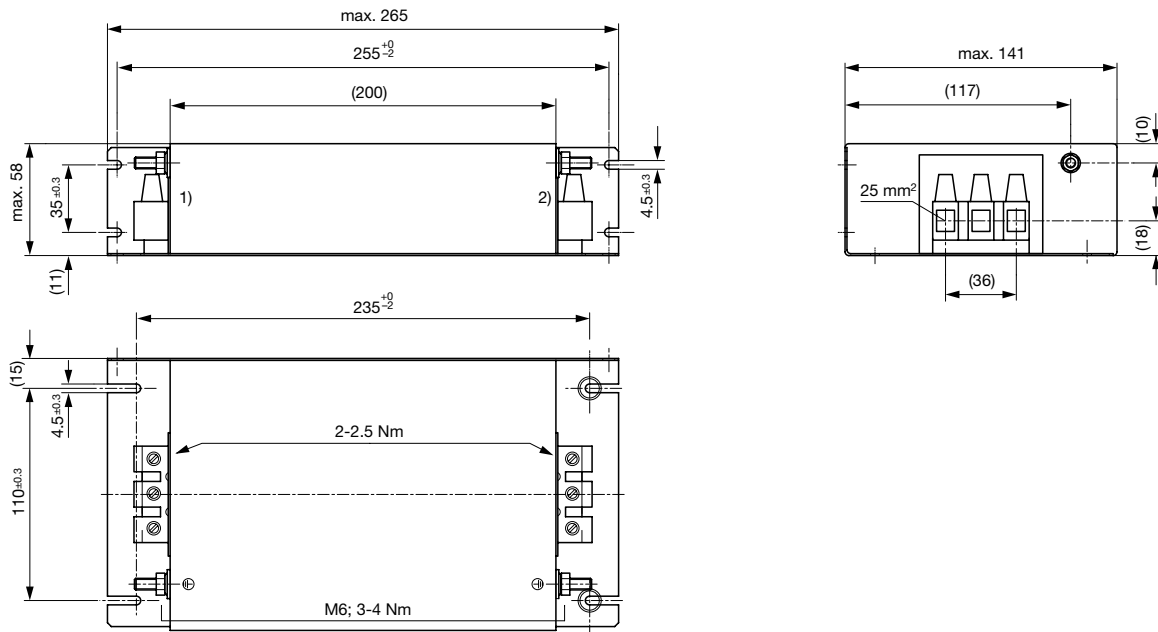
1) Line

2) Load

Case 1D-10

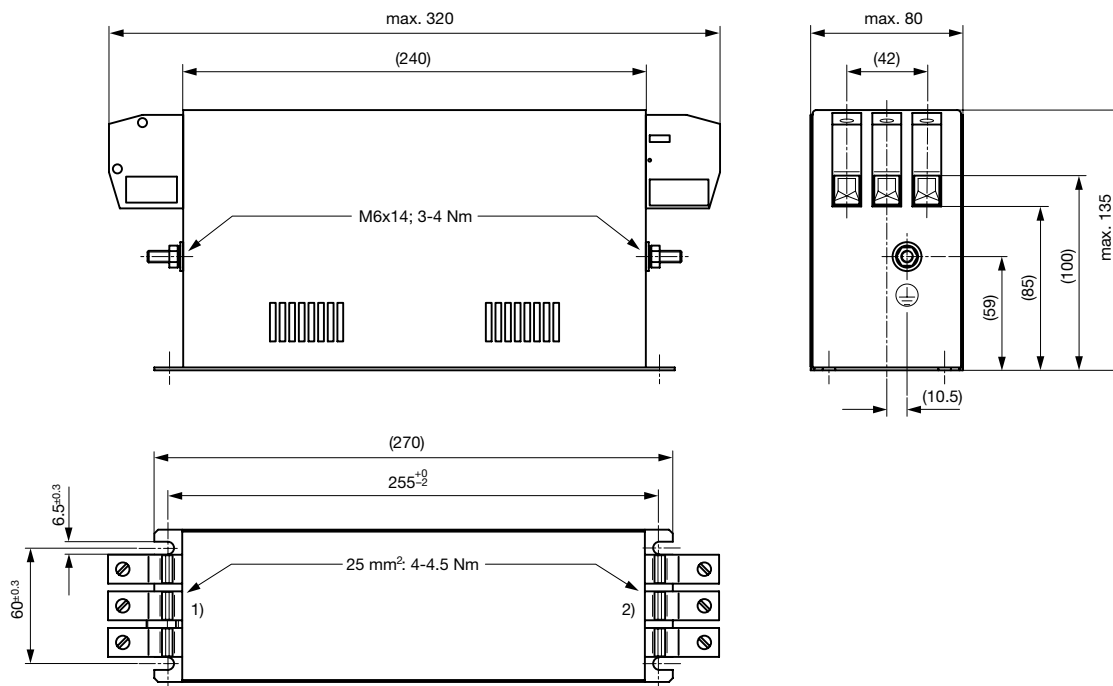


- 1) Line
 - 2) Load
- Case 1E



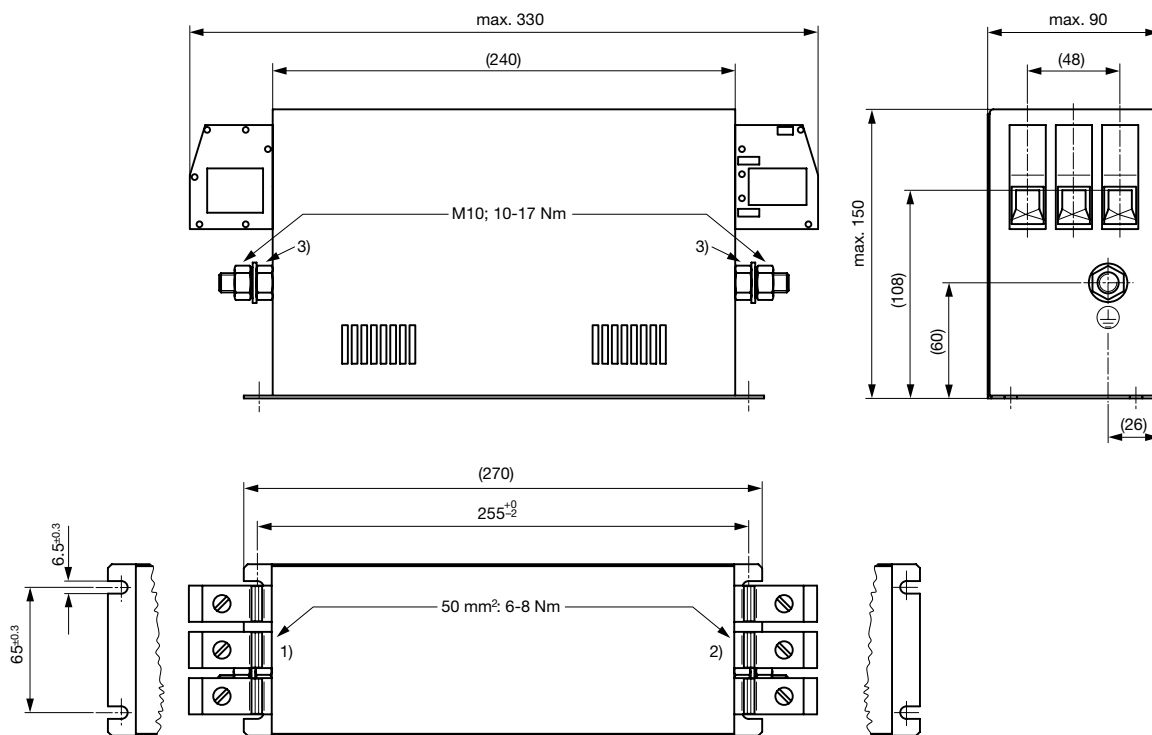
- 1) Line
- 2) Load

Case 1T



- 1) Line
- 2) Load

Case 1G

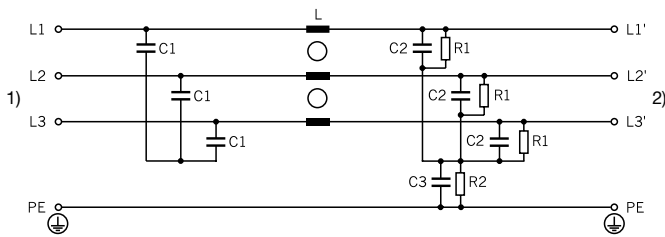


- 1) Line
- 2) Load
- 3) Do not unscrew lock-nut, keep lock-nut fastened while tightening

Technical data to the filter components

Rated Current [A]	L [mH]	C1 [µF]	C2 [µF]	C3 [µF]	R1 [MΩ]	R2 [MΩ]	Filter-Type
110	0.55	6.6	6.6	3.3	1	1	Industrial Version
150	0.48	6.6	6.6	3.3	1	1	Industrial Version
16	0.55	2.2	2.2	3.3	1	1	Industrial Version
25	0.45	2.2	2.2	3.3	1	1	Industrial Version
36	0.57	2.2	2.2	3.3	1	1	Industrial Version
50	0.65	4.7	3.3	3.3	1	1	Industrial Version
55	0.75	4.7	3.3	3.3	1	1	Industrial Version
64	0.55	4.7	4.7	3.3	1	1	Industrial Version
80	0.55	4.7	4.7	3.3	1	1	Industrial Version

Diagrams



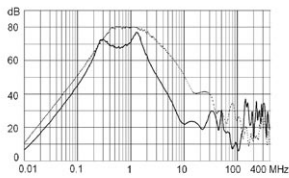
- 1) Line
- 2) Load

Attenuation Loss

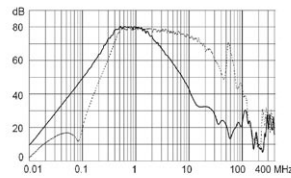
--- differential mode ____ common mode

Industrial Version

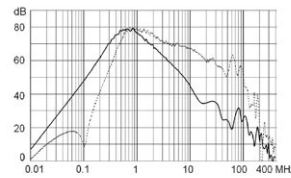
16A (FMAC-091C-1610)



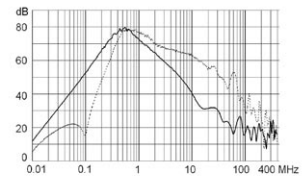
25A (FMAC-091C-2510)



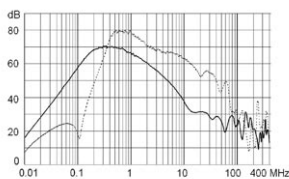
36A (FMAC-091D-3610)



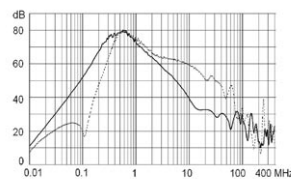
50A (FMAC-091D-5010)



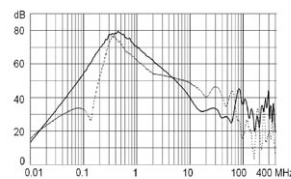
55A (FMAC-091D-5510)



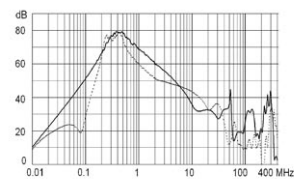
64A (FMAC-091E-6410)



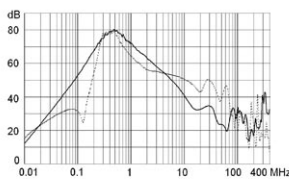
80A (FMAC-091T-8010)



110A (FMAC-091G-H110)



150A (FMAC-091G-H210)



Distributor-Stock-Check | SCHURTER-Stock-Check | e-Store

Variants

[Distributor-Stock-Check](#) | [SCHURTER-Stock-Check](#) | [e-Store](#)

Rated Current [A]	Characteristic	Rated Voltage [VAC]	P _{loss} [W]	Leakage Current [mA] ¹⁾	Contact Resistance [mΩ]	Weight [kg]	Screw clamps [mm ²] ²⁾	Case	Order Number
110	High attenuation	480	28	110	0.8	5.8	50	1G	FMAC-091G-H110
150	High attenuation	480	40	110	0.6	7	50	1G	FMAC-091G-H210
16	High attenuation	480	6	96	7.6	1	4	1C	FMAC-091C-1610
25	High attenuation	480	8	96	4.1	1	4	1C	FMAC-091C-2510
36	High attenuation	480	10	96	2.5	1.3	6	1D-6	FMAC-091D-3610
50	High attenuation	480	13	103	1.7	1.7	10	1D-10	FMAC-091D-5010
55	High attenuation	480	14	103	1.5	1.7	10	1D-10	FMAC-091D-5510
64	High attenuation	480	17	103	1.4	2	25	1E	FMAC-091E-6410
80	High attenuation	480	22	110	1.1	5.1	25	1T	FMAC-091T-8010

2) Maximum conductor cross section (wire gauge) to be used; a comparative table for AWG and mm² values can be found in the general product information www.schurter.com/emc_info

1) Worst case leakage current acc. to IEC60950 - Annex G4 (situation with two interrupted lines). Nominal leakage current acc. to IEC60950 - 5.2.5. can be found in section technical data.

Packaging unit 1 Pcs