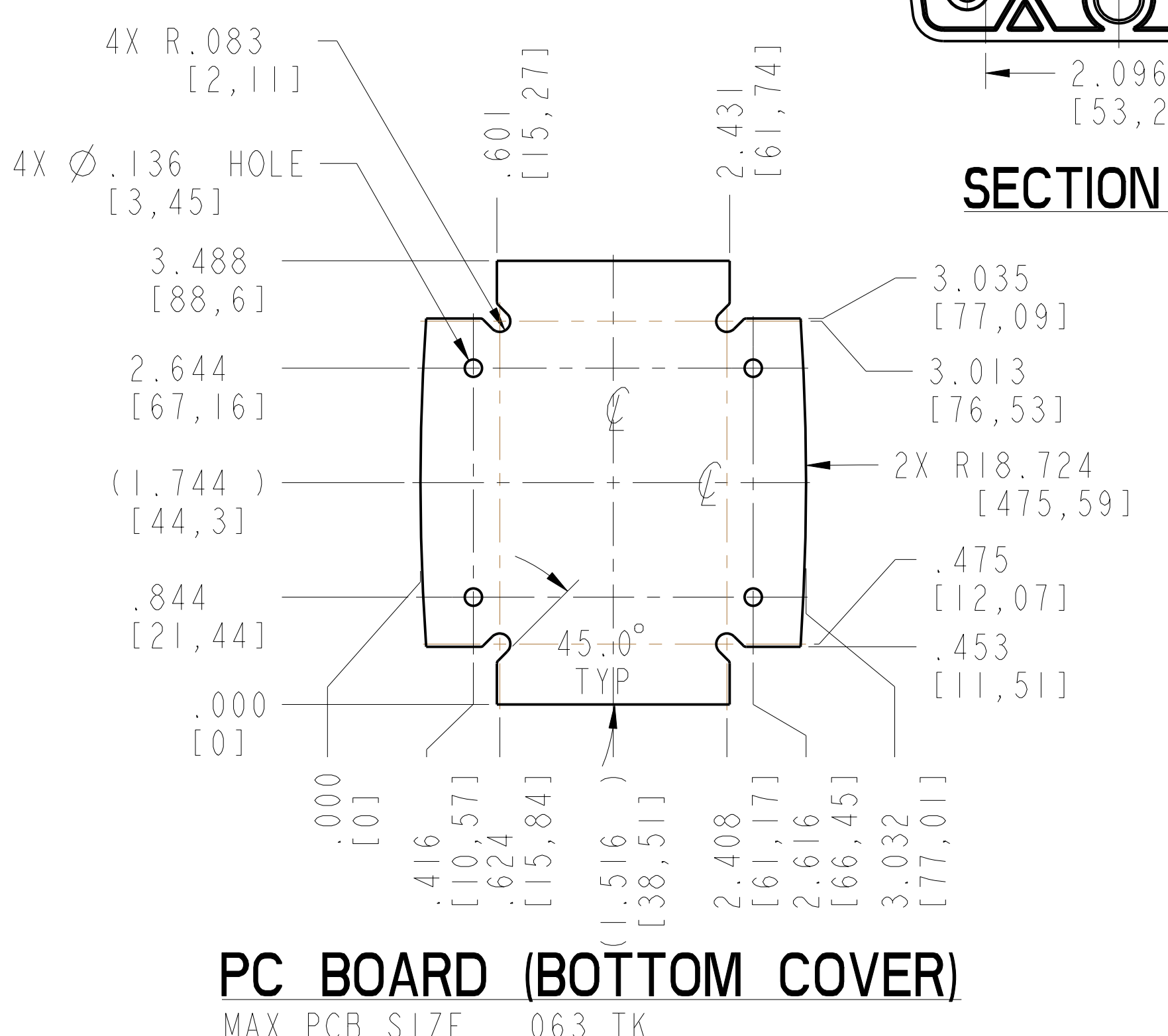
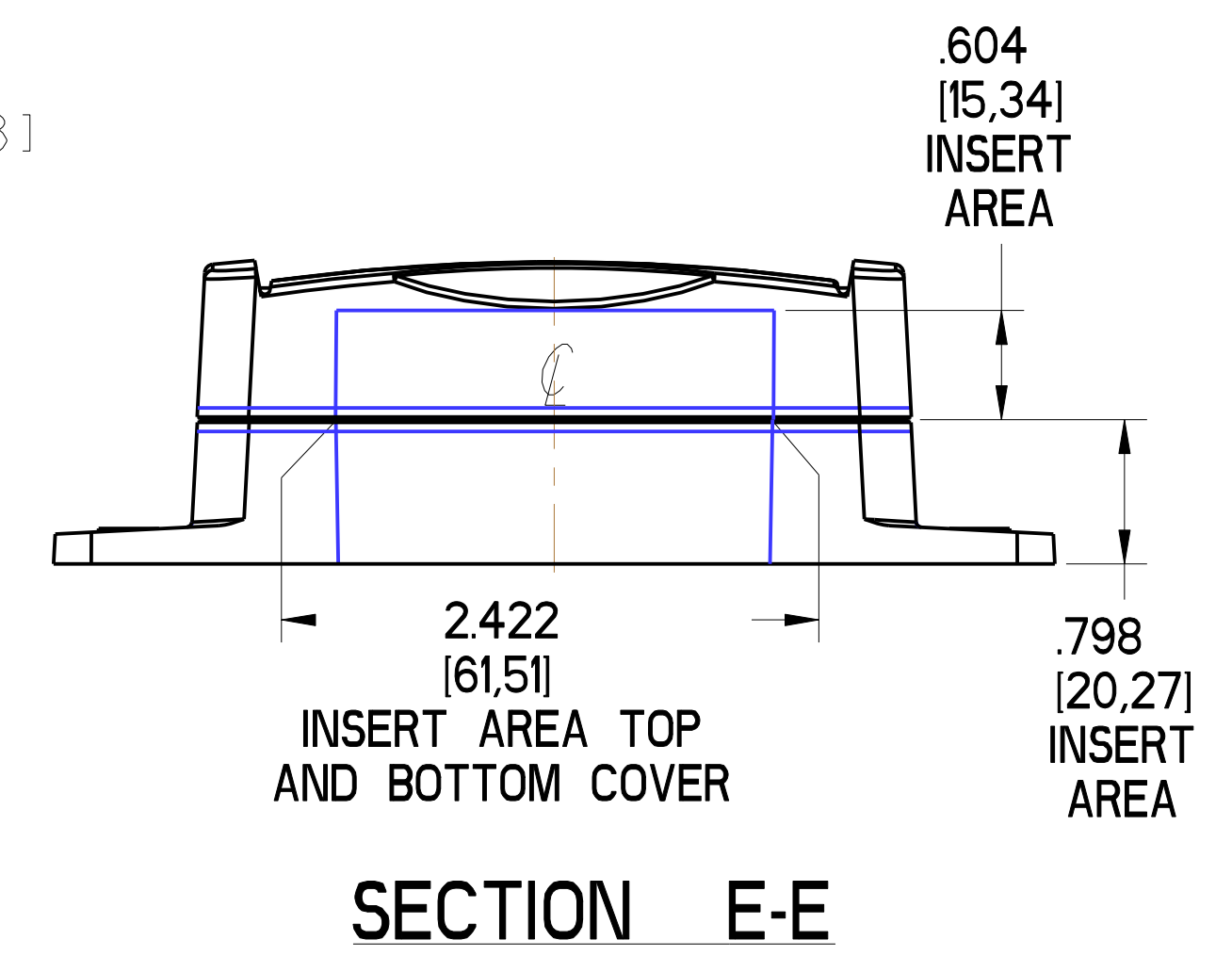
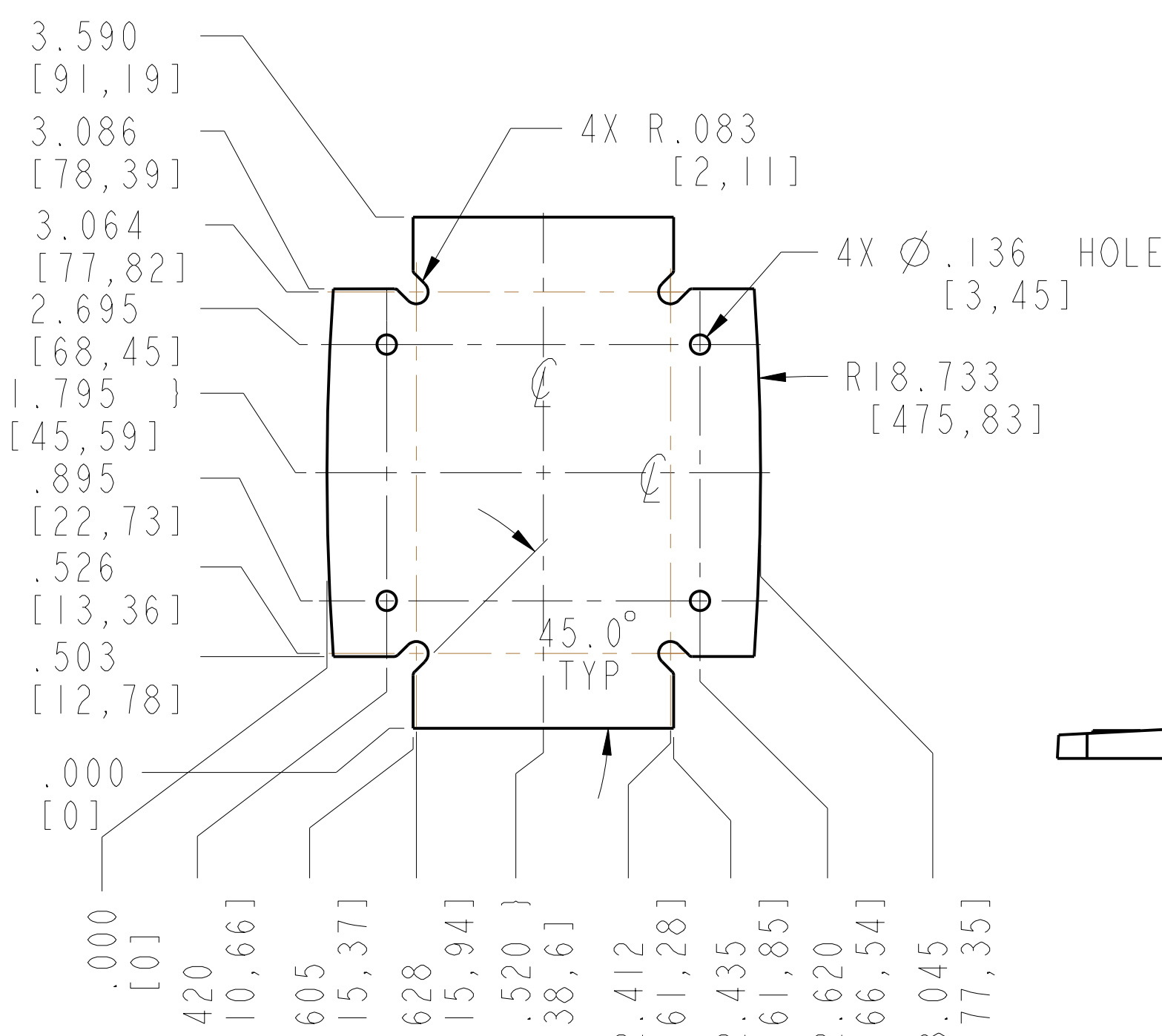


- NOTES:
1. USE #4 TYPE "B" THREAD FORMING SCREWS X .25 [6.3] LONG TO MOUNT CIRCUIT CARD ASSEMBLY.
  2. RECOMMENED ASSEMBLY SCREW TORQUE SETTING IS 5 INCH-POUNDS.
  3. TO MAINTAIN IP67 RATING USE THE GASKET ONCE; IF OPENING UNIT TO SERVICE MUST REPLACE GASKET.



**PACINTEC**<sup>®</sup>  
1-610-361-4231

**OD43**

VISIT **PACINTEC**<sup>®</sup>  
ON THE WORLD WIDE WEB  
[www.pactecenclosures.com](http://www.pactecenclosures.com)

SCALE: 1/1

MATERIAL:  
POLYCARBONATE (HB)  
WITH UV STABILIZER

COLOR:  
LIGHT GRAY #332

INSERT AREAS ARE SECTIONS IN OUR TOOLS THAT CAN BE REMOVED AND REPLACED WITH CUSTOMER SPECIFIC DETAILS

DRAWING NUMBER	REV
86170	D