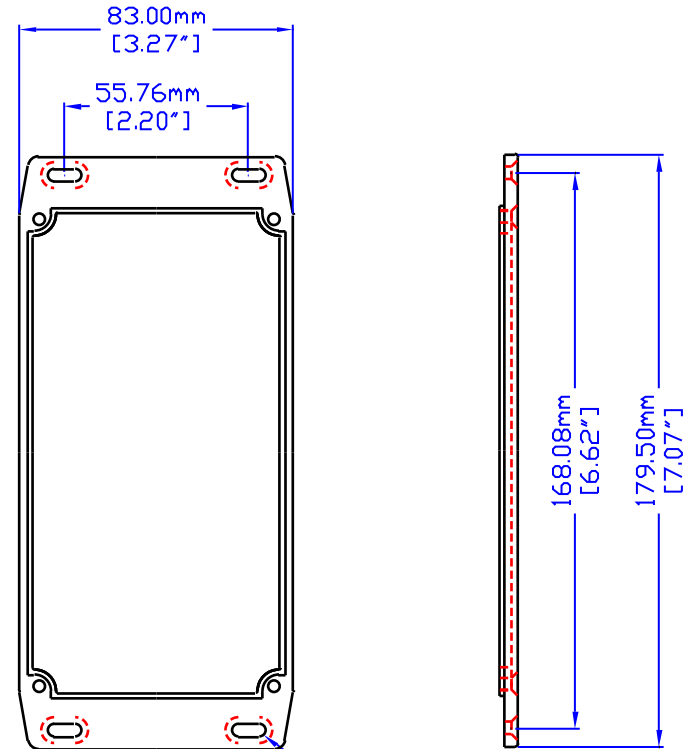
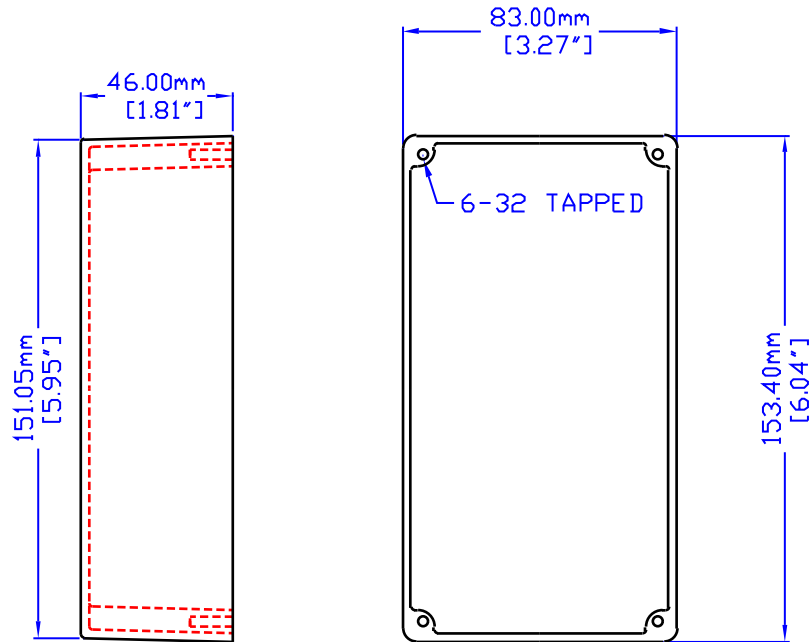


NOTES

MATERIAL: -DIECAST ALUMINUM ALLOY
-FOUR 6-32 Phillips SCREWS

VIEW INSIDE LID

VIEW OF BOX (LID REMOVED)



NOTE:
FOR DETAIL DIMENSIONING
REFER TO DRAWING
1590F

3.8 X 10mm
(.15 X .40")
SLOTS

1590P1FL

WATERPROOFING KIT IS AVAILABLE
PART # 1590PG,
THE GASKET KIT WILL AFFORD PROTECTION
AGAINST LIQUID TO NEMA 4 AND IP65 LEVELS.

THIS ENCLOSURE IS ALSO AVIALABLE IN BLACK
AND GRAY TEXTURE FINISH.

1590P1FL

15901P WITH SPECIAL FLANGED LID.
AVAILABLE FROM STOCK.



HAMMOND MANUFACTURING

1590P1FL

CANADA - PH (519) 886 7170 - FAX (519) 886 8311
U.S.A. - PH (716) 631 5700 - FAX (716) 631 1156