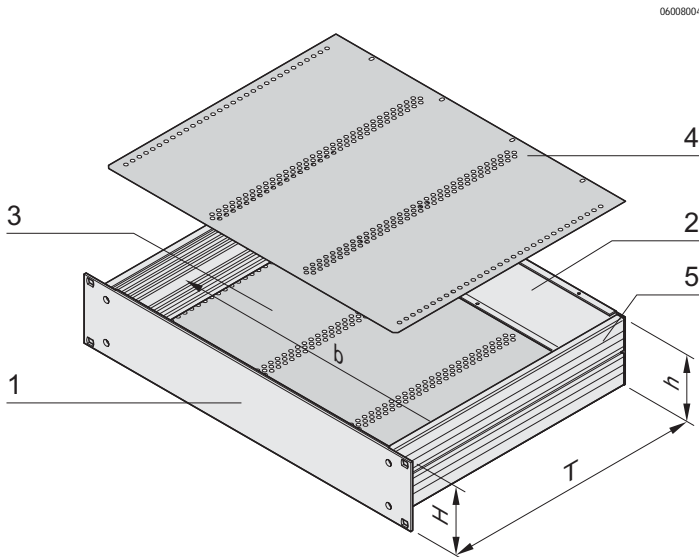


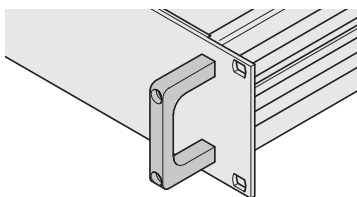
# 19" chassis – MultipacPRO

19" COMPLETE CHASSIS FROM ALUMINIUM, FOR ASSEMBLY OF EUROBOARDS



h = clear height (overall) (H - 8.1 mm)  
width = 403 mm

b = clear installation



Front handle

- Complete chassis from aluminium
- Detachable rear panel for easy machining
- EMC shielding of approx. 30 dB(A) at 1 GHz (without additional shielding material)
- In accordance with standard IEC 60297-3-100, -101, -105
- In the 1 U version 19" and ATX power supplies can be assembled up to a clearance of 35 mm

### DELIVERY COMPRISES (Kit)

| Item | Qty | Description   |
|------|-----|---|
| 1    | 1   | Front panel Al extrusion, 3 mm;<br>in 1 U: front anodised, rear etched;<br>from 2 U: front and rear side of front panels clear passivated |
| 2    | 1   | Rear panel, Al, 2 mm, etched  |
| 3    | 1   | Base plate, Al, 1 mm; with drilled holes for horizontal mounting of euroboards  |
| 4    | 1   | Cover plate, Al, 1 mm; with drilled holes for horizontal mounting of euroboards   |
| 5    | 2   | Side panel, Al extrusion, raw; with grooves for threaded insert (2 × 7)   |
| 6    | 1   | Assembly kit  |

### ORDER INFORMATION

| Height U   | Height H mm | Depth T mm | Part no.         |
|--|-------------|------------|------------------|
| 1  | 43.7        | 220        | 20860-641        |
| 1  | 43.7        | 280        | 20860-642        |
| 2  | 88.1        | 280        | 20860-645        |
| EMC gasketing kit PU 1 kit   |             |            | <b>20860-130</b> |
| Front handles for 1 U PU 2 pieces  |             |            | <b>20860-256</b> |
| Front handles for 2 U PU 2 pieces  |             |            | <b>20860-257</b> |
| Euroboard mounting kit for EN 60603 connector for 1 U PU 1 kit           |             |            | <b>20860-115</b> |
| Euroboard mounting kit for EN 60603 connector for 2 U PU 1 kit           |             |            | <b>20860-117</b> |
| Euroboard mounting kit for insulated backplane mounting for 1 U PU 1 kit |             |            | <b>20860-116</b> |
| Euroboard mounting kit for insulated backplane mounting for 2 U PU 1 kit |             |            | <b>20860-118</b> |

### NOTE

- Threaded inserts to push into the side panel see page 6.121
- Guide rails see page 6.124
- Telescopic slides to mount into cabinet see page 6.125