

Reduction

Configuration

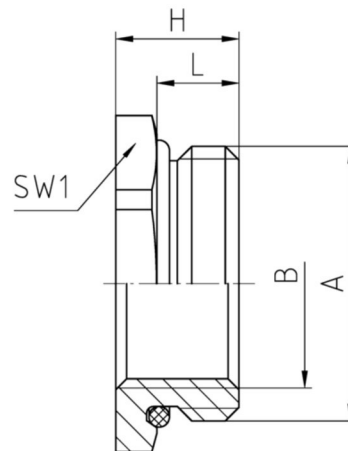
Reduction	Brass CuZn39Pb3, nickel-plated
O-ring	Nitrile rubber
External thread	metric, as per EN 60423
Internal thread	Pg as per DIN 40430




Properties


Temperature range	-30°C +100°C
Protection grade	IP68 max. dependent on the combination with other components

- adapter for reduction of metric to Pg-threaded holes



Features

A	B	L	SW1	H		Part No.
		mm	mm	mm	Piece	
M16x1,5	Pg 7	5	17	8	100	M16PG7/OM
M20x1,5	Pg 9	6	22	9	100	M20PG9/OM
M25x1,5	Pg 9	7	27	10	100	M25PG9/OM
M25x1,5	Pg 11	7	27	10	100	M25PG11/OM
M25x1,5	Pg 13,5	7	27	10	100	M25PG13/OM
M32x1,5	Pg 13,5	8	34	11	50	M32PG13/OM
M32x1,5	Pg 16	8	34	11	50	M32PG16/OM
M32x1,5	Pg 21	8	34	11	50	M32PG21/OM
M40x1,5	Pg 16	8	43	12	25	M40PG16/OM
M40x1,5	Pg 21	8	43	12	25	M40PG21/OM
M40x1,5	Pg 29	8	43	12	25	M40PG29/OM
M50x1,5	Pg 21	9	55	13	25	M50PG21/OM
M50x1,5	Pg 29	9	55	13	10	M50PG29/OM
M50x1,5	Pg 36	9	55	13	10	M50PG36/OM
M63x1,5	Pg 29	10	65	14	10	M63PG29/OM

A	B	L	SW1	H		Part No.
		mm	mm	mm	Piece	
M63x1,5	Pg 36	10	65	14	10	M63PG36/OM
M63x1,5	Pg 42	10	65	14	10	M63PG42/OM