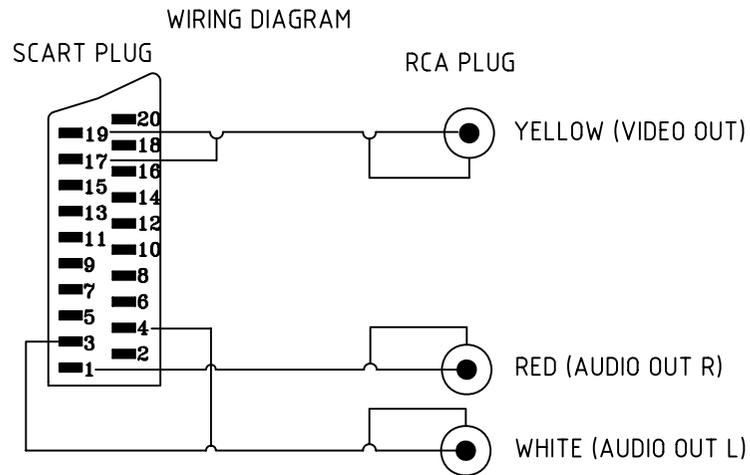
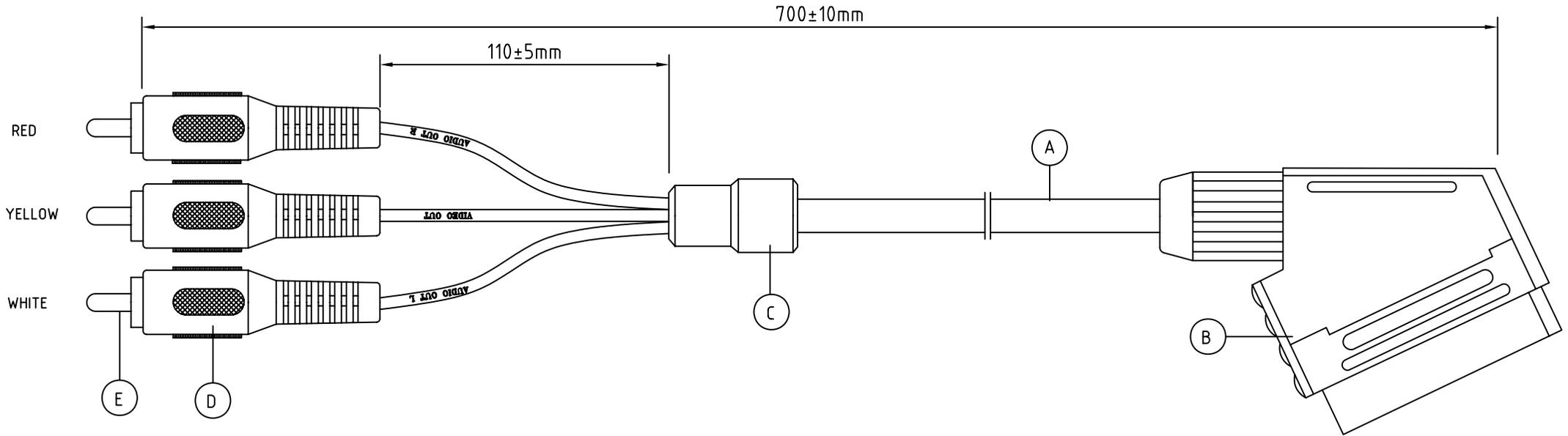


REV.	DATE	FILE No.
1.0	2011-5-3	SC52D-0.7M



SPECIFICATION:

ITEM	PART NAME	MATERIAL	COLOR	QTY.
A	CABLE VS3C3-E O.D.6MM [0.12/7+0.12/16]X3C+AL]X1C	PVC	BLACK	0.7M
B	21P.SCART PLUG	ABS	BLACK	1SET
C	STOPPER TY-153 TYPE	PVC	BLACK	1
D	MODEL TY-122 TYPE	PVC	RD/WT/YW	3
E	Y/A023 RCA PLUG	P.B.	NICKEL	3

NOTE:ALL MATERIALS ARE COMPLIANT TO "RoHS".

CUSTOMER: JESS LINK		Maxxtro®	
CUST. P/N: 105060			
S/O:	S/N:	PART No.: SC52D-0.7M/BK	
DRAWING No.	SC-052-20	PART NAME: 21P.SCART PLUG TO+3XRCA PLUG	
DRAWN BY	Lingqi Meng	UNLESS OTHERWISE SPECIFIED, ALL DIMENSIONS ARE IN MM. TOLERANCE:DECIMAL .X ±0.1 .XX ±0.05 ANGLE ±1/2°	
CHECKED BY	Zhongjiao/Baifa		
APPROVED BY	Chenhan		
		SHEET 1 OF 1	
		SCALE NO	