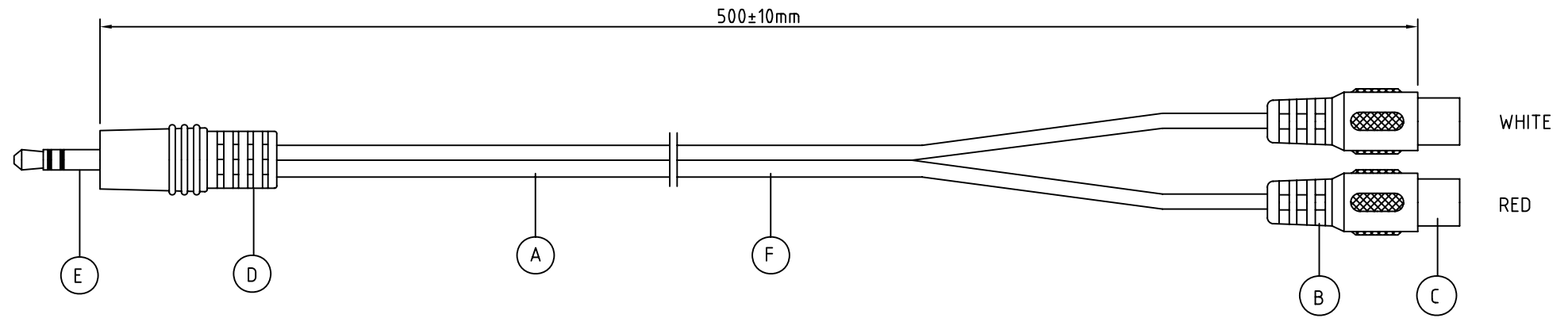


REV.	DATE	FILE No.
1.0	2011-5-10	AC82-0.5M

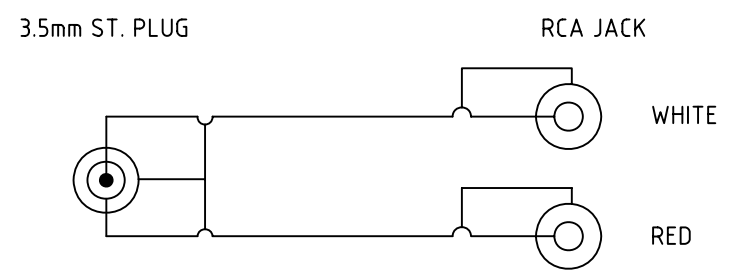


SPECIFICATION:

ITEM	PART NAME	MATERIAL	COLOR	QTY.
A	CABLE(0.12/10+0.12/12)X2F #2.6X5.2MM	PVC	BLACK	0.5M
B	MODEL TY-128 TYPE	PVC	RD/WT	2
C	Y/A002 RCA JACK	BRASS	NICKEL	2
D	MODEL TY-076 TYPE	PVC	BLACK	1
E	Y/E327 3.5MM STEREO PLUG	BRASS	NICKEL	1
F	STOPPER MODEL TY-046 TYPE	PVC	BLACK	1

NOTE:ALL MATERIALS ARE COMPLIANCE TO "RoHS".

WIRING DIAGRAM



CUSTOMER: JESS LINK		<b>Maxxtro®</b>	
CUST. P/N: 105108			
S/O:	S/N:	PART No.: AC82-0.5M/BK	
DRAWING No.	AC-082-10	PART NAME: 3.5MM STEREO PLUG TO 2XRCA JACK	
DRAWN BY	Lingqi MENG	UNLESS OTHERWISE SPECIFIED, ALL DIMENSIONS ARE IN MM. TOLERANCE:DECIMAL .X ±0.1 .XX ±0.05 ANGLE ±1/2°	
CHECKED BY	Zhongjiao/Baifa		
APPROVED BY	Chenhan		
		SHEET 1 OF 1	
		SCALE NO	