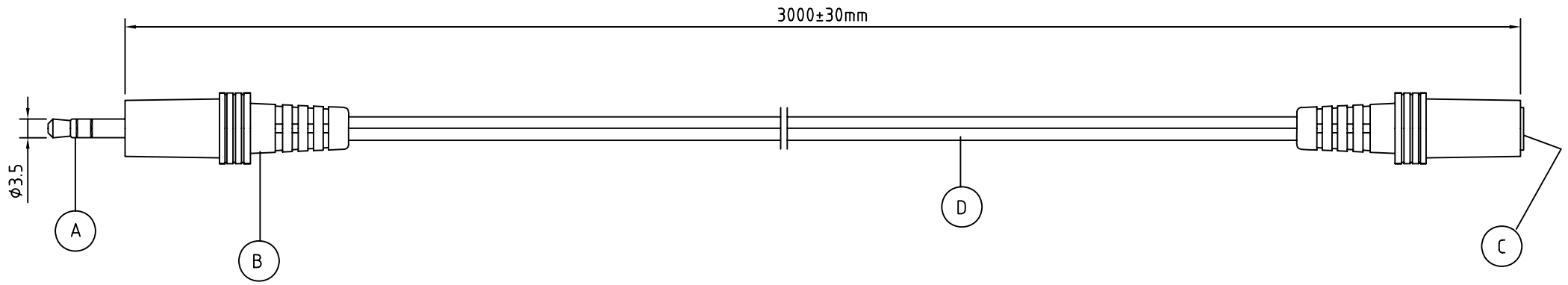


REV.	DATE	FILE No.
1.0	2011-5-10	AC56B-3M



WIRING DIAGRAM

3.5MM STEREO PLUG

3.5MM STEREO JACK



SPECIFICATION:

ITEM	PART NAME	MATERIAL	COLOR	QTY.
A	Y/E327 3.5MM STEREO PLUG	P.B.	NICKEL	1
B	MODEL TY-080 TYPE	PVC	BLACK	2
C	Y/E327J 3.5MM STEREO JACK	P.B.	NICKEL	1
D	CABLE(0.12/10X+0.12/24)X2F #2.6X5.2MM	PVC	BLACK	3M

NOTE:ALL MATERIALS ARE COMPLIANT TO "ROHS".

CUSTOMER: JESS LINK		<b>Maxxtro®</b>
CUST. P/N: 105106		
S/O:	S/N:	PART No.: AC56B-3M/BK
DRAWING No.	AC-056-08	PART NAME: 3.5MM STEREO PLUG TO 3.5MM STEREO JACK
DRAWN BY	Lingqi MENG	UNLESS OTHERWISE SPECIFIED, ALL DIMENSIONS ARE IN MM. TOLERANCE:DECIMAL .X ±0.1 .XX ±0.05 ANGLE ±1/2°
CHECKED BY	Zhongjiao/Baifa	
APPROVED BY	Chenhan	
		SHEET 1 OF 1
		SCALE NO