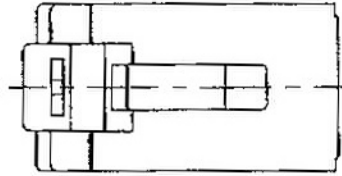
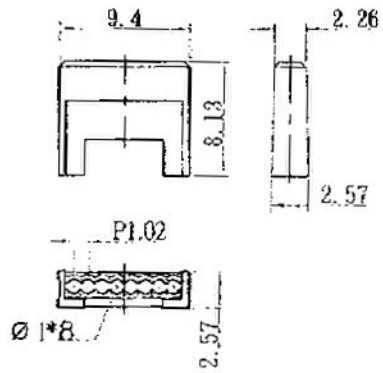


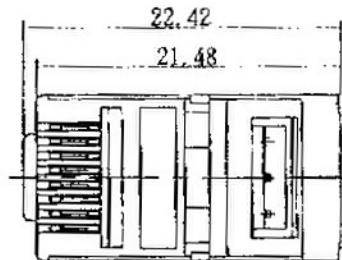
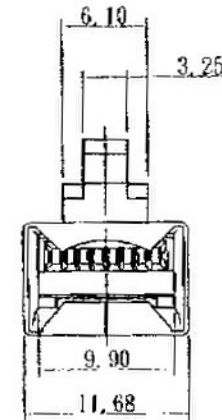
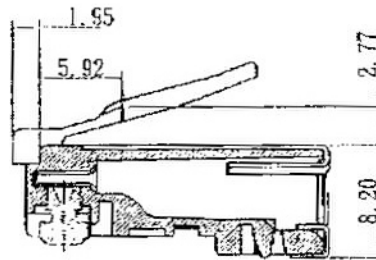
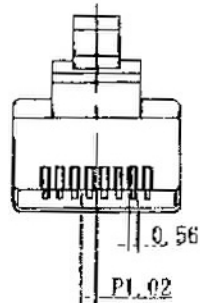
Maxxtro®



SPECIFICATION

- MECHANICAL:

1. Housing Material: Polycarbonate, UL 94V-2 NO Poison.
2. Material Contact: 6U" Below Brass, 15U" Above Phosphor Bronze.
3. Contact area Plated gold over 3u"/6u"/15u"/30u" and 50u", the other area plated gold over P10".
4. Contact area plated Nickel over 60u", the other area plated Nickel over 30u".
5. Housing Color: Transparence.
6. Operation Temperature: -40°C to 80°C.



NOTE TOL: ±0.1