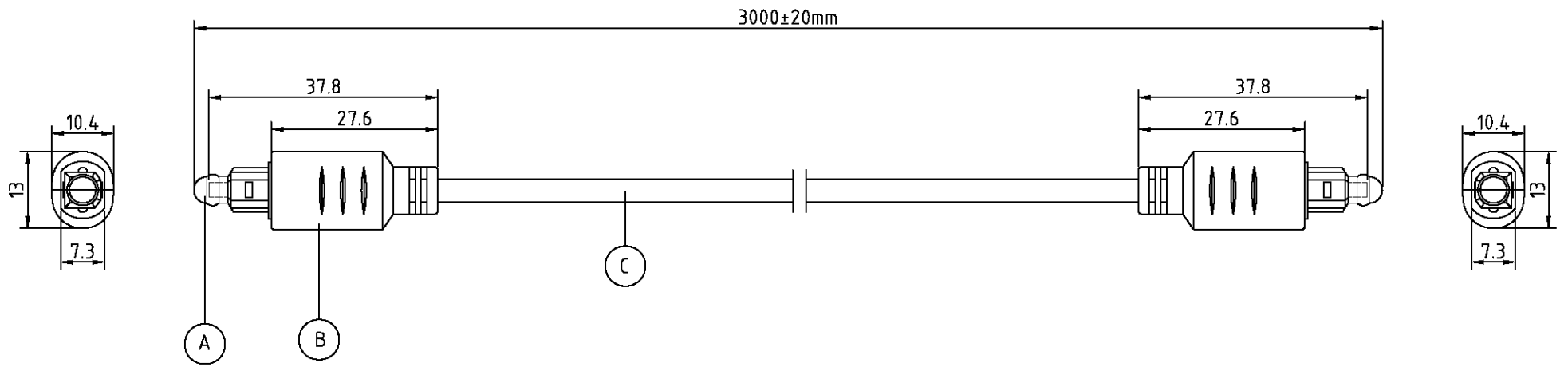



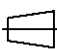
REV.	DATE	FILE No.
1.0	2010-8-4	POF7-3M



APESIFICATION:

ITEM	PART NAME	MATERIAL	COLOR	QTY.
A	POF7-PVC/TR STOPPER	P.V.C	TR.	2
B	MODEL TY-497 TYPE	P.V.C	BLACK	2
C	POF1-1-4.0/SG POF2.2MM O.D.4.0MM OPTICAL FIBER	P.V.C	BLACK	3M

NOTE:ALL MATERIALS ARE COMPLIANCE TO "RoHS"

CUSTOMER: JESS LINK		Maxxtro®
CUST. P/N: 103801		
S/O:	S/N:	PART No.: POF7-3M/BK
DRAWING No.		PART NAME: P.O.F ϕ 4.0MM TOSLINK PLUG TO TOSLINK PLUG
DRAWING BY	Lingqi MENG	UNLESS OTHERWISE SPECIFIED, ALL DIMENSIONS ARE IN MM. TOLERANCE:DECIMAL .X \pm 0.1 .XX \pm 0.05 ANGLE \pm 1/2°
CHECKED BY	Zhongjiao/Baifa	
APPROVER BY	Chenhan	
		 
		SHEET 1 OF 1
		SCALE NO