

The information contained in this documentation is the property of MAZeT. Photocopying or otherwise reproducing any part of the catalog, whether electronically or mechanically is prohibited, except where the express permission of MAZeT GmbH has been obtained. In general, all company and brand names, as well as the names of individual products, are protected by brand, patent or product law.

VERSION		
NO.	ISSUE	DATE
1	V 6.0	2014-01-22

Data Sheet

MTCSiCT

Integral True Color Sensor – T039

1	FUNCTION	2
2	APPLICATION	2
3	FEATURES	2
4	SPECTRAL CHARACTERISTICS	3
5	MAXIMUM RATINGS / CHARACTERISTICS	4
6	PACKAGE OVERVIEW	5
7	SOLDERING PROFILE	5
8	PIN-Configuration	6
9	HANDLING AND STORAGE	6
10	PACKING INFORMATION	6
11	APPLICATION NOTES	6
11.1	Circuit	6
11.2	Limitations	7
11.3	Angle of incidence.....	7
12	ORDERING INFORMATION	7

MAZeT GmbH Sales Göschwitzer Straße 32 07745 Jena / GERMANY Phone +49 3641 2809-0 Fax +49 3641 2809-12 sales@mazet.de www.mazet.de	Approvals	Date	MAZeT GmbH	
	Compiled:	2014-01-24	Status: certified	
	Checked:	2014-01-27		
	Released:	2014-01-28	Doc. No.: 04-138e	Page 1 of 7

VERSION		
NO.	ISSUE	DATE
1	V 6.0	2014-01-08

1 FUNCTION

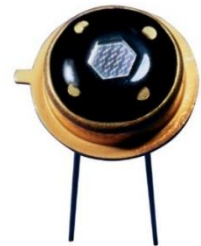
The True Color Sensors are made of 19 x 3 photo diodes (special PIN silicon technology with extended sensibility) integrated on chip. The diodes are carried out as segments of a multiple-element hexagonal matrix structure with the diameter of 2,0 mm.

The design as Si-PIN photo diodes allows signal frequencies up to MHz-range. In order to achieve a small cross talk between the photodiodes the individual sectors were separated from each other by additional structures.

Each of these photodiodes is sensitized with new dielectric spectral filter (named True Color Filter¹) for its color range, preferably for the primary **color standard CIE (Commission Internationale de l'Eclairage or International Commission on Illumination) color space**.

2 APPLICATION

- General Color measurements, checks and regulations
- Portable color reader for consumer and industrial applications
- Closed loop for RGB lighting (SSL) – regulation of temperature shifts
- Sensor for display color adjustment and backlight/contrast control
- Color sensitive sensor for "True Color" reproduction and system calibration
- Detector for various light sources, mood lighting, regulated color temperature



3 FEATURES

Dielectric filters guaranties the good optical properties of the color sensors, such as:

- high transmission
- no ageing of the filter
- high temperature stability
- high signal frequency
- reduced cross talk
- small size (diameter of the optical sensitive surface ca. 2 mm)
- alike tri-stimulus interference filter for color measurement to DIN 5033 (CIE 1931)
- EU RoHS-conform²



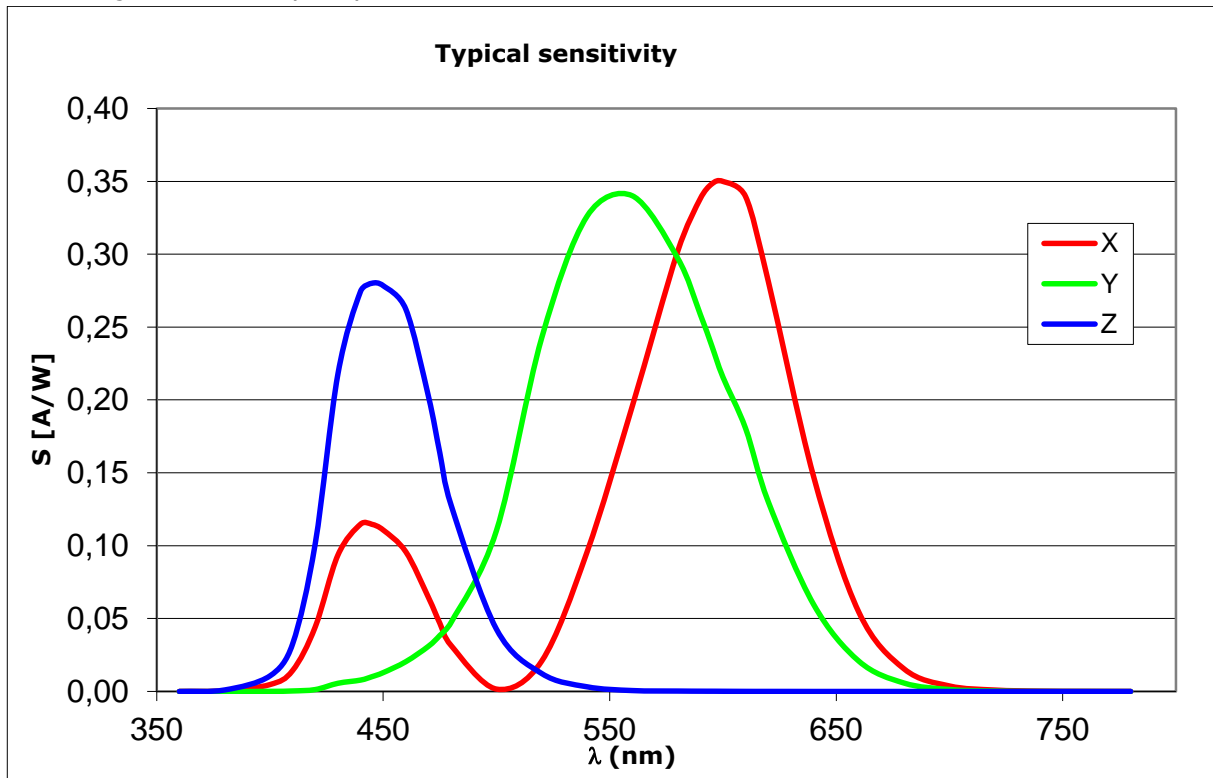
¹ The new generation of JENCOLOR sensors is committed to implementing (see relative sensitivity) the standard distribution functions as defined under DIN 5033 Part 2 – Color Measurement; CIE 1931 Standard Colorimetric Systems. This implementation method allows colors to be determined according to the three-range procedure that is defined in part 6 of DIN 5033.

² EU RoHS: Directive 2002/95/EC of the European Parliament and of the Council of 27 January 2003 on the restriction of the use of certain hazardous substances in electrical and electronic equipment.

VERSION		
NO.	ISSUE	DATE
1	V 6.0	2014-01-08

4 SPECTRAL CHARACTERISTICS

Figure 1: Typical (relative) sensitivity (XYZ) of the color sensor (MTCSiCT) scanned by width broadband light and limited angle of incidence ($<10^\circ$)^{3,4}



The filter function of MTCSiCT corresponds to a technical implementation of the CIE's - color matching function XYZ. For more information regarding the color matching function details please read for example: http://en.wikipedia.org/wiki/CIE_1931_color_space.

³ Please note, there are some technical differences between the national or international standards for color measurement based on the tri-stimulus function. Furthermore each sensor has small production based tolerances of nearly 1% variation referred to the wavelengths. So we recommend calibrating the sensor based on the application usage to achieve best results with the least error margin possible within the color space. The calibration depends on the sensor, light source, color target, algorithm for calibration and all interferences hit the sensor. In most of cases it is possible to achieve better results than human eye. Please ask our technical support team for assistance if you want to calibrate your sensor system.

⁴ See chapter 11.3 "Angle of incidence"

NO.	ISSUE	DATE
1	V 6.0	2014-01-08

5 MAXIMUM RATINGS / CHARACTERISTICS

(TA = 25°C; per single diode)

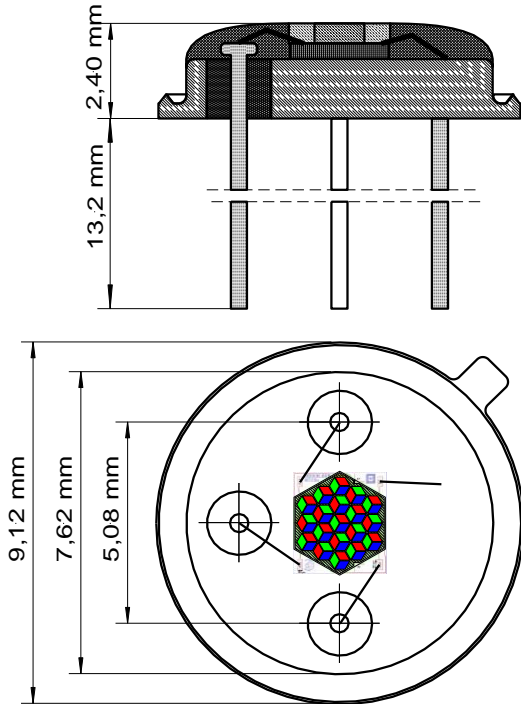
Description	Symbol	Condition	min.	typ.	max.	Unit
Diameter of light sensitivity area	D			2,0		mm
Light sensitivity area per single color array (19 diodes)	A			0,76		mm ²
Typical photo sensitivity of color ranges	S _{max}	λ _Z = 445 nm λ _Y = 555 nm λ _{XK} = 445 nm λ _{XI} = 600 nm	0,21 0,30 0,11 0,31	0,23 0,33 0,12 0,35	0,25 0,36 0,13 0,38	A/W
Temperature coefficient of photo sensitivity	TK	λ _Z = 445 nm λ _Y = 550 nm λ _{XK} = 600 nm λ _{XI} = 670 nm		0 250 500 1000		ppm/ K
Spectral tolerance of filter curve	Δλ(λ)				<1%* λ	nm
Reverse voltage	V _R		0	0	2,5	V
Dark current	I _R	V _R = 2,5V			10	pA
Terminal capacitance	C	V _R = 2V			70	pF
Rise and fall time of photo-current	t _r , t _f				2	μs
Noise equivalent power	NEP	f _R = 100 Hz			<10 ⁻¹³	W/√Hz
Cross-talk					<1	%
Angle of incidence (see also chapter 11.3)	φ	Δλ _(Filter) < 1%*λ			10	°
Standard Operating temperatures ⁵	T _{op}		-20		+100	°C
Storage temperature range	T _{st}		-40		+100	°C
Soldering temperature	T	5 sec			240	°C
Moisture Sensitive Level	MSL	JEDEC J-STD-020		3		

⁵ special on request

VERSION		
NO.	ISSUE	DATE
1	V 6.0	2014-01-08

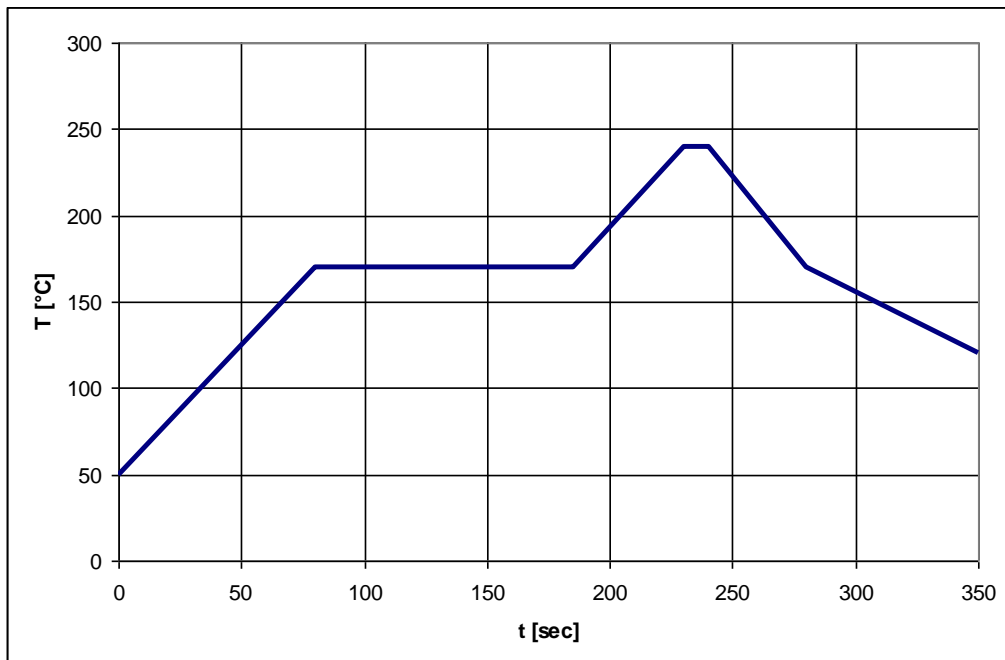
6 PACKAGE OVERVIEW⁶

Figure 2: MTCSiCT in T39 package



7 SOLDERING PROFILE

Figure 3: Recommended Soldering Profile⁷



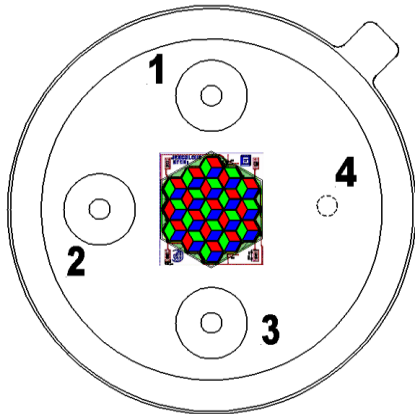
⁶ Please, protect the sensible surface (translucent globe top) of the sensor against scratch and similar mechanical injuries. It will have negative effects for the perfect function of the sensor.

⁷ Please note the sensor includes sensitive materials and components. High temperatures and time for soldering more than specified here could damage or destroy the sensor.

VERSION		
NO.	ISSUE	DATE
1	V 6.0	2014-01-08

8 PIN-CONFIGURATION

Figure 4: TO39-package (Top view)



PIN	description
1	Y (green)
2	Z (blue)
3	X (red)
4	common cathode

9 HANDLING AND STORAGE

Care should be taken to keep the sensor surface clean. Dust, scratches will adversely affect the sensor parameters. Sensors should be handled as optical device.

It is important to use normal ESD handling and precautions for ESD sensitive devices.

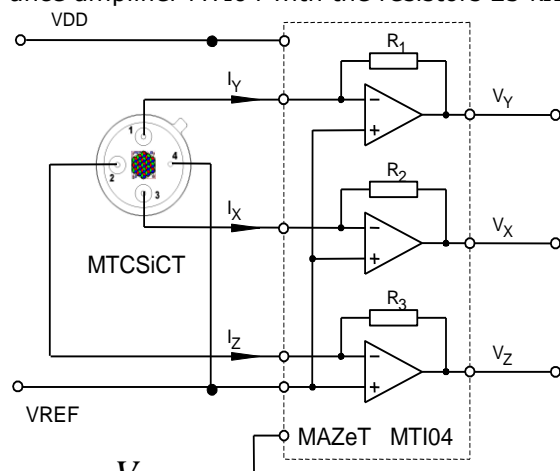
10 PACKING INFORMATION

Standard packing's are small boxes with anti static foam. Otherwise has to be cleared with sales, see chapter 12.

11 APPLICATION NOTES

11.1 Circuit

Opposite figure shows a circuit for the conversion of photo current to an equivalent voltage. These voltage can be processed e.g. with an ADC. By the selection of suitable resistors the output voltage range can be adjusted to the photo current value - (for example the pin-programmable transimpedance amplifier MAZeT MTI04 with the resistors 25 kΩ, 500 kΩ and 5 MΩ)



$$R_x \approx \frac{V_{Out}}{I_{Photo}}$$

VERSION		
NO.	ISSUE	DATE
1	V 6.0	2014-01-08

11.2 Limitations

The spectral filters of our color sensors are specialized for applications with broadband source of lighting >10 nm. Please ask our sales team before you use our sensor in combination with narrow-band luminous sources.

11.3 Angle of incidence

In reliance on the packaging the sensor IC has an aperture angle (beam width) of nearly 90°. Traditional an interference filter works depends on angle of incidence. So a bumped light beam with different angles to vertical until 10° will not causes any filter shifts. Make sure by using lenses or optical holes that the angle of incidence for the sensor device will be smaller than 10°.

12 ORDERING INFORMATION

Name	Status	Package	Article
MTCSiCT	series	TO39	090400-201-26AEZ00

For more information please contact:

MAZeT GmbH

Sales:

Göschwitzer Straße 32

07745 JENA | GERMANY

Phone: +49 3641 2809-0

Fax: +49 3641 2809-12

sales@mazet.de

www.mazet.de

WARNINGS

Personal Injury – Do not use these products as safety or emergency stop devices or in any other applications where failure of the product could result in personal injury. **Failure to comply with these instructions could result in death or serious injury.**

Misuse of Documentation – The information presented in this data sheet is for reference only. Because these products are under development do not use this document as product installation guide. Before you start any development ask your supplier for the latest version of this sheet. **Failure to comply with these instructions could result in death or serious injury.**

ESD Warning – Sensor handling precautions should be observed to avoid static discharge.