



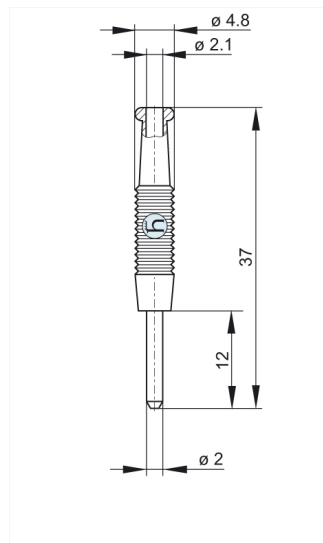
## MST 3 schwarz/black

Industrial Connectors:Measuring and Testing Equipment:Plugs:2 mm system

### Product description

Description	2 mm diameter miniature connector, nickel-plated brass pin with solder connection. Flexible, shatter-proof insulated sleeve. For making up connecting leads with a maximum external diameter of 1.9 mm.
Type	MST 3 schwarz/black
Order No.	973 509-100
System	2 mm system
Housing Color	black
Other standard types	red color, order no. 973 509-101; blue color, order no. 973 509-102; yellow color, order no. 973 509-103; green color, order no. 973 509-104; grey color, order no. 973 509-106

### Drawing



### Technical data

Pin dimensions	2 mm
Type of contact	pin
Type of termination	solder
Rated voltage	DC 60 V
Rated current	6 A
Contact resistance	6 mOhm

### Material

Contact material	brass
------------------	-------

Contact surface material	nickel-plated
Housing material	PVC-P
<b>Environmental conditions</b>	
Temperature range	-25 °C to +60 °C
<b>Inflammability class</b>	
Housing	94 V-2