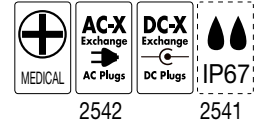


Charger for lead acidbatteries - switch mode

2542 - exchangeable / utskiftbare AC plugs

- 3-step charge control with current detection as charge termination
- Universal Input voltage (90-264 VAC)
- 3-colored LED indicator
- Order mains cord separately
- Mounting bracket available
- Waterproof (IP67) version available
- Custom specifications on request
- Approvals:
 - Medically certified EN60601 3ed)
 - UL approved
 - For updates: see www.mascot.no
- 3-trinns ladekontroll med strømdeleksjon som ladestopp
- Universal inngangsspenning (90-264 VAC)
- 3 farget lysdiode-indikator
- Nettledning best. separat
- Kan leveres med festebrakett
- Vanntett (IP67) versjon kan leveres
- Tilpasninger leveres på forespørsel
- Godkjenninger:
 - Medisinsk sertifisert EN 60601 3ed
 - UL godkjent
 - For oppdat.: se www.mascot.no



2542

2541

Technical specifications

Tekniske data

Input voltage:	Inngangsspenning:	90-264 VAC
Line Frequency:	Frekvensområde:	47 – 63Hz
Switch frequency, approx.:	Svitsjefrekvens ca.:	40 kHz
Leakage current from battery with mains switched off:	Strømtrekk fra batteri ved frakoblet nett:	<250µA
Temperature range	Temperaturområde	
• operating:	• drift:	-20°C - +40°C
• storage:	• lagring:	-25°C - +85°C
Ripple:	Rippel:	< 100 mV p-p
Protection:	Sikring:	Protected against reversed polarity and short circuit proof Polvendings- og kortslutningssikker
Insulation class:	Isolasjonsklasse:	II
Insulation voltage:	Isolasjonsspenning:	
Primary – secondary:	Primær - sekundær:	4000VAC / 5700VDC
Electrical safety:	Elektrisk sikkerhet:	IEC/EN/UL 60601-1, EN 60950-1, EN 60335-2-29
EMC standards	EMC standarder	
• Medical:	• Medisinsk:	EN 60601-1-2
• Emission:	• Emisjon:	EN 61000-6-3
• Immunity:	• Immunitet:	EN 61000-6-1
Input terminal:	Inngangsterminal:	2-pin IEC 320 connector
Output terminals:	Utgangsterminaler:	Cord with/without plug. Exchangeable plugs available. Sekundærledning med / uten plugg. Utskiftbare plugger er tilgjengelige.
IP-code:	IP-grad:	41
Dimensions (LxWxH):	Mål (LxBxH):	107 × 67 × 36,5 mm (2542: 117 × 75 × 44 mm)
Weight:	Vekt:	250g

Versions - Versjoner

			Charge control / Ladekontroll				
			Step 1 (orange)	Step 2a (orange)	Step 2b (yellow/gul)	Step 3 (green/grønn)	
	Max. output power	Efficiency (100% at 230V)	Charge Current	Charge Voltage	To yellow when current is	Charge Termin. when current is	Standby voltage:
	Maks. utg. effekt	Virkningsgrad	Ladestrøm	Ladespenning	Til Gul når strøm er:	Ladestopp når strøm er	Vedlikeholdsspenning
12 V	33 W	84 %	2,2A ±0,1A (until 14,7V)	14,7V ±0,1V	< 1A ±0,1A	< 250mA +-20%	13,7V±0,15V
24 V	36 W	87 %	1,2A ±0,1A (until 29,4V)	29,4V ±0,1V	< 0,50A ±0,1A		27,4V±0,3V



Exchangeable AC plug models

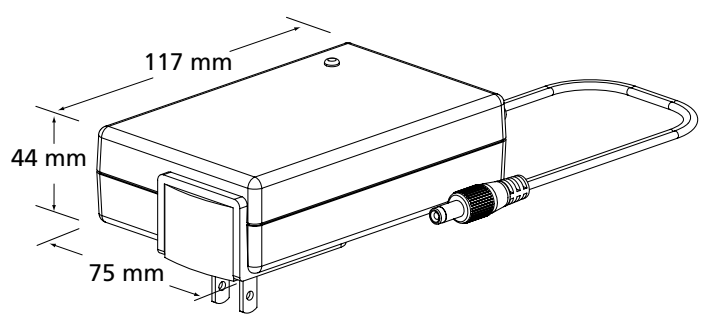
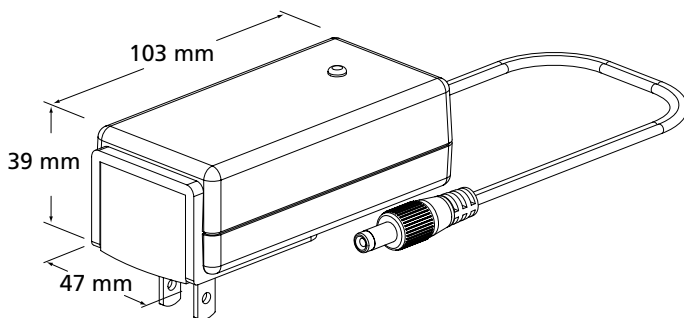
Modeller med utskiftbare AC plugger

Available as: / Tilgjengelig som:

Small housing / liten boks		
Base model / Grunnmodell		w exch. AC plug
Type	Description / Beskrivelse	Type
2121	AC/DC PSU, max 10W	2123
2124	AC/DC PSU, max 16W	2126
2115	NiMH battery charger, max 1,3A	2116
2240	Lead Acid batt. charger, max 1,3A	2241
2240 LI	Li-Ion batt. charger, max 1,3A	2241 LI
Additional housing weight (excl. plug/cord) +15 g Tilleggsvekt (uten plugg/ledning) +15 g		

Medium housing / medium boks		
Base model / Grunnmodell		w exch. AC plug
Type	Description / Beskrivelse	Type
9921	AC/DC PSU, max 40W	9926
2720	AC/DC PSU, max 40W	2721
2541	Lead Acid batt. charger, max 2,2A	2542
9940	Lead Acid batt. charger, max 2,3A	9941
2215	NiMH battery charger, max 35W	2216
9940 LI	Li-Ion batt. charger, max 2,3A	9941 LI
2541 LI	Li-Ion batt. charger, max 2,7A	2542 LI
Additional housing weight (excl. plug/cord) +27 g Tilleggsvekt (uten plugg/ledning) +27 g		

IEC 320 mains cord / nettleddning 1800mm EU part no. 131306,
UK part no. 131148, US part no. 131147, AU part no. 013108



EXCHANGEABLE AC PLUG ADAPTERS

 EU plug Part no. 018110 Weight: 21g 37.6	 UK plug Part no. 018112 Weight: 30g 30.5	 US plug Part no. 018111 Weight: 14g 17.2	 AU plug Part no. 018114 Weight: 28g 31.3
--	--	--	--