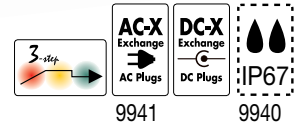


Chargers for lead acid batteries

9941 - exchangeable / utskiftbare AC plugs

- 3-step charge control with timer
- Universal input voltage (90-264 VAC)
- 2-pin IEC 320 mains connector
- Order mains cord separately
- Mounting bracket available
- Exchangeable DC plugs
- Waterproof (IP67) version available
- Approvals:
 - Complies w. medical std. (EN 60601)
 - 9940: UL approved (UL 60601-1)
 - For updates: see www.mascot.no
- 3-trinns ladekontroll med timer
- Universal inngangsspenning (90-264 VAC)
- 2-pin IEC 320 nettkontakt
- Nettledning best. separat
- Kan leveres med festebrakett
- Utskiftbare DC plugger
- Vanntett (IP67) versjon kan leveres
- Godkjenninger:
 - Tilfredst. medisinsk std. (EN 60601)
 - 9940: UL godkjent (UL 60601-1)
 - For oppdat.: se www.mascot.no



Technical specifications

Tekniske data

12 V*

Line regulation:	Linjeregulering:	< 100 mV
Svitsjefrekvens ca.:	Switch frequency, approx.:	45 kHz
Leakage current	Strømtrekk fra batteri	
with mains disconnected:	ved frakoblet nett:	< 200 uA
Temperature range:	Temperaturområde:	-10 °C - +40 °C
Ripple:	Rippel:	< 100 mV p-p
Efficiency (at 100% load):	Virkningsgrad (ved 100% last):	> 80 %
Current limit:	Strømbegrenser:	2,3 A ± 0,3
Protection:	Sikring:	Mains fuse / Glassikring Automatically resettable fuse protects the charger against wrong polarity. Feil polaritet beskyttelse med automatisk resetbar sikring.
Insulation class:	Isolasjonsklasse:	II
Electrical safety:	Elektrisk sikkerhet:	EN 60950, EN 60335, UL 60601-1 EMC standards:
• Emission:	• Emisjon:	EN 61000-6-3
• Immunity:	• Immunitet:	EN 61000-6-1
Mains connection:	Nettilkobling:	2-pin IEC 320 mains connector
Indicator:	Indikasjon:	3-fargers lysdiode - 3-color LED
• Orange: (const. current, boost):	• Orange: (konst. strøm, hurtig):	2,3 A
• Yellow: (const. voltage, timer):	• Gul: (konst. spenn., timer):	14,7 V
• Green: (const. voltage, float):	• Grønn: (konst. spenn., vedl.hold):	13,8 V
Timer**:	Timer**:	2h ± 30%
Output terminals:	Utgangsterminaler:	Battery clips, push-on terminals, DC connector Batteriklemmer, flatstift kontakter, DC plugg
Dimensions (LxWxH):	Mål (LxBxH):	107 × 67 × 36,5 mm (9941: 117 × 75 × 44 mm)
Weight:	Vekt:	250 g

* Some technical specifications may differ for other voltage versions. / Visse tekniske data kan variere for de forskjellige spenningsversjoner.

** The timer is also available with other values. / Timer leveres også med andre tider.

Voltage versions 9940 - Spenningsversjoner 9940

Version Versjon (V)	Input Inngang (VAC)	Output (VDC) / Utgang (VDC)		Max. output power Maks. utg. effekt (W)	Current limit Strøm begrenser (A)	Rec. batt. capacity * Anbefalt batt. kap * (Ah)
		Timer	Float / Vedlikehold			
12	90-264	14,7±0,2	13,8±0,2	35	2,3A±0,3	9 - 60
24		29,5±0,2	27,6±0,3	40	1,3A±0,2	4,5 - 30
36**		44,1±0,2	41,4±0,3	40	0,9A±0,1	3 - 20

* Rec.value may vary – contact batterymanuf. for details. / Anbefalt verdi kan variere – kontakt batteriproducenten for detaljer.

** Not UL approved / Ikke UL godkjent



Exchangeable AC plug models

Modeller med utskiftbare AC plugger

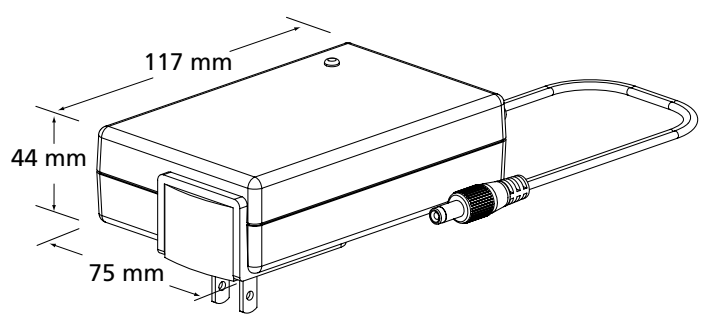
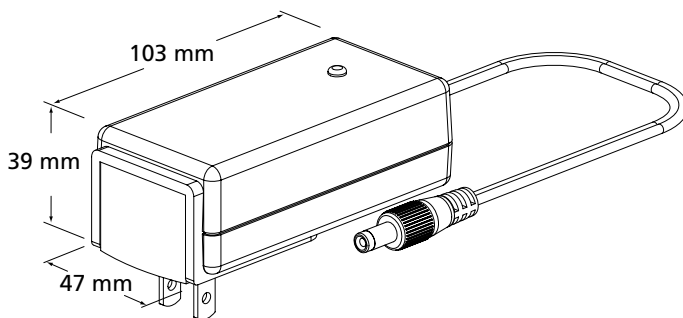
Available as: / Tilgjengelig som:

Small housing / liten boks		
Base model / Grunnmodell		w exch. AC plug
Type	Description / Beskrivelse	Type
2121	AC/DC PSU, max 10W	2123
2124	AC/DC PSU, max 16W	2126
2115	NiMH battery charger, max 1,3A	2116
2240	Lead Acid batt. charger, max 1,3A	2241
2240 LI	Li-Ion batt. charger, max 1,3A	2241 LI
Additional housing weight (excl. plug/cord) +15 g Tilleggsvekt (uten plugg/ledning) +15 g		

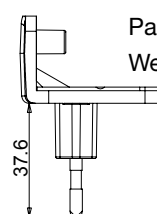
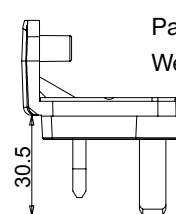
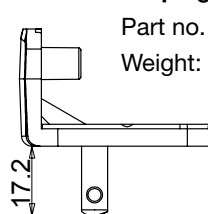
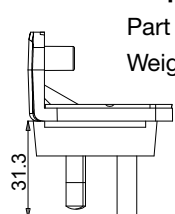
Medium housing / medium boks		
Base model / Grunnmodell		w exch. AC plug
Type	Description / Beskrivelse	Type
9921	AC/DC PSU, max 40W	9926
2720	AC/DC PSU, max 40W	2721
2541	Lead Acid batt. charger, max 2,2A	2542
9940	Lead Acid batt. charger, max 2,3A	9941
2215	NiMH battery charger, max 35W	2216
9940 LI	Li-Ion batt. charger, max 2,3A	9941 LI
2541 LI	Li-Ion batt. charger, max 2,7A	2542 LI
Additional housing weight (excl. plug/cord) +27 g Tilleggsvekt (uten plugg/ledning) +27 g		



IEC 320 mains cord / nettleledning 1800mm EU part no. 131306,
UK part no. 131148, US part no. 131147, AU part no. 013108



EXCHANGEABLE AC PLUG ADAPTERS

EU plug	UK plug	US plug	AU plug
Part no. 018110	Part no. 018112	Part no. 018111	Part no. 018114
Weight: 21g	Weight: 30g	Weight: 14g	Weight: 28g
			

www.mascot.com

sales@mascot.no

TS020513

Main Office NORWAY
Box 177
N-1601 Fredrikstad
+ 47 69 36 43 00

Mascot UK
Bok 2090, Salisbury
Wiltshire SP2 2BH
+44 172 250 4853

Mascot DE, BENELUX
Hirschbergstr. 28/7
D-74838 Limbach
+49 628 795 140

Mascot DE, CH, AT
Tettnanger Str. 52
D-88239 Wangen
+49 752 895 1677

Mascot FRANCE
38 rue Leo Lagrange
F-94270 Le Kremlin Bicêtre
+33 146 587 185

Mascot BALTIC, RUSSIA
Taevakivi 15
13619 Tallinn, Estonia
+372 555 21 121

Mascot SWEDEN
Box 177
N-1601 Fredrikstad
+46 526 14025