

FEATURE

HIGH DC PRECISION

50 μV max Offset Voltage
 0.6 $\mu\text{V}/^\circ\text{C}$ max Offset Drift
 110 pA max Input Bias Current

LOW NOISE

0.5 μV p-p Voltage Noise, 0.1 Hz to 10 Hz

LOW POWER

750 μA Supply Current
 Available in 8-Lead Plastic Mini-DIP, Hermetic Cerdip
 and Surface Mount (SOIC) Packages
 Available in Tape and Reel in Accordance with
 EIA-481A Standard
 Quad Version: AD704

APPLICATIONS

Low Frequency Active Filters
 Precision Instrumentation
 Precision Integrators

PRODUCT DESCRIPTION

The AD706 is a dual, low power, bipolar op amp that has the low input bias current of a BiFET amplifier, but which offers a significantly lower I_B drift over temperature. It utilizes superbeta bipolar input transistors to achieve picoampere input bias current levels (similar to FET input amplifiers at room temperature), while its I_B typically only increases by 5 \times at 125 $^\circ\text{C}$ (unlike a BiFET amp, for which I_B doubles every 10 $^\circ\text{C}$ for a 1000 \times increase at 125 $^\circ\text{C}$). The AD706 also achieves the microvolt offset voltage and low noise characteristics of a precision bipolar input amplifier.

Since it has only 1/20 the input bias current of an OP07, the AD706 does not require the commonly used "balancing" resistor. Furthermore, the current noise is 1/5 that of the OP07, which makes this amplifier usable with much higher source impedances. At 1/6 the supply current (per amplifier) of the OP07, the AD706 is better suited for today's higher density boards.

The AD706 is an excellent choice for use in low frequency active filters in 12- and 14-bit data acquisition systems, in precision instrumentation and as a high quality integrator. The AD706 is internally compensated for unity gain and is available in five performance grades. The AD706J and AD706K are rated over the commercial temperature range of 0 $^\circ\text{C}$ to +70 $^\circ\text{C}$.

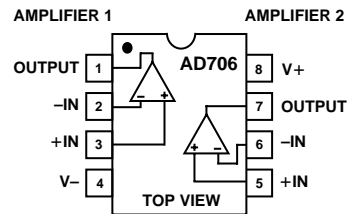
The AD706 is offered in two varieties of an 8-lead package: plastic mini-DIP and surface mount (SOIC). "J" grade chips are also available.

REV. D

Information furnished by Analog Devices is believed to be accurate and reliable. However, no responsibility is assumed by Analog Devices for its use, nor for any infringements of patents or other rights of third parties that may result from its use. No license is granted by implication or otherwise under any patent or patent rights of Analog Devices.

CONNECTION DIAGRAM

Plastic Mini-DIP (N) and
 Plastic SOIC (R) Packages



PRODUCT HIGHLIGHTS

1. The AD706 is a dual low drift op amp that offers BiFET level input bias currents, yet has the low I_B drift of a bipolar amplifier. It may be used in circuits using dual op amps such as the LT1024.
2. The AD706 provides both low drift and high dc precision.
3. The AD706 can be used in applications where a chopper amplifier would normally be required but without the chopper's inherent noise.

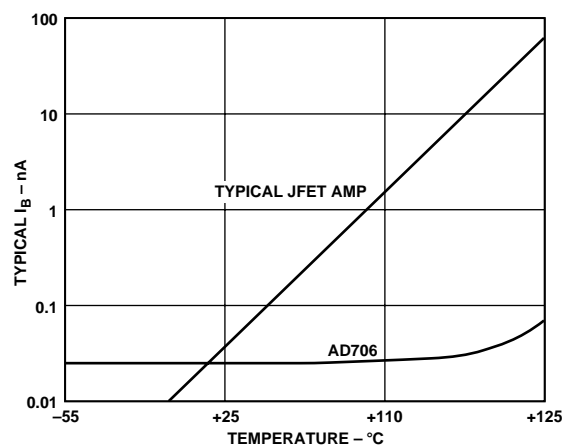


Figure 1. Input Bias Current vs. Temperature

AD706—SPECIFICATIONS (@ $T_A = +25^\circ\text{C}$, $V_{CM} = 0\text{ V}$ and $\pm 15\text{ V}$ dc, unless otherwise noted)

Parameter	Conditions	AD706J			AD706K			Units
		Min	Typ	Max	Min	Typ	Max	
INPUT OFFSET VOLTAGE								
Initial Offset			30	100		10	50	μV
Offset	T_{MIN} to T_{MAX}		40	150		25	100	μV
vs. Temp, Average TC			0.2	1.5		0.2	0.6	$\mu\text{V}/^\circ\text{C}$
vs. Supply (PSRR)	$V_S = \pm 2\text{ V}$ to $\pm 18\text{ V}$	110	132		112	132		dB
T_{MIN} to T_{MAX}	$V_S = \pm 2.5\text{ V}$ to $\pm 18\text{ V}$	106	126		108	126		dB
Long Term Stability			0.3			0.3		$\mu\text{V}/\text{Month}$
INPUT BIAS CURRENT¹								
	$V_{CM} = 0\text{ V}$		50	200		30	110	pA
	$V_{CM} = \pm 13.5\text{ V}$			250			160	pA
vs. Temp, Average TC			0.3			0.2		$\text{pA}/^\circ\text{C}$
T_{MIN} to T_{MAX}	$V_{CM} = 0\text{ V}$			300			200	pA
T_{MIN} to T_{MAX}	$V_{CM} = \pm 13.5\text{ V}$			400			300	pA
INPUT OFFSET CURRENT								
	$V_{CM} = 0\text{ V}$		30	150		30	100	pA
	$V_{CM} = \pm 13.5\text{ V}$			250			200	pA
vs. Temp, Average TC			0.6			0.4		$\text{pA}/^\circ\text{C}$
T_{MIN} to T_{MAX}	$V_{CM} = 0\text{ V}$		80	250		80	200	pA
T_{MIN} to T_{MAX}	$V_{CM} = \pm 13.5\text{ V}$		80	350		80	300	pA
MATCHING CHARACTERISTICS								
Offset Voltage				150			75	μV
	T_{MIN} to T_{MAX}			250			150	μV
Input Bias Current ²				300			150	pA
	T_{MIN} to T_{MAX}			500			250	pA
Common-Mode Rejection		106			110			dB
	T_{MIN} to T_{MAX}	106			108			dB
Power Supply Rejection		106			110			dB
	T_{MIN} to T_{MAX}	104			106			dB
Crosstalk (Figure 19a)	T_{MIN} to T_{MAX} @ $f = 10\text{ Hz}$ $R_L = 2\text{ k}\Omega$		150			150		dB
FREQUENCY RESPONSE								
Unity Gain Crossover Frequency			0.8			0.8		MHz
Slew Rate	$G = -1$		0.15			0.15		$\text{V}/\mu\text{s}$
	T_{MIN} to T_{MAX}		0.15			0.15		$\text{V}/\mu\text{s}$
INPUT IMPEDANCE								
Differential			40 2			40 2		$\text{M}\Omega \text{pF}$
Common Mode			300 2			300 2		$\text{G}\Omega \text{pF}$
INPUT VOLTAGE RANGE								
Common-Mode Voltage		± 13.5	± 14		± 13.5	± 14		V
Common-Mode Rejection Ratio	$V_{CM} = \pm 13.5\text{ V}$	110	132		114	132		dB
	T_{MIN} to T_{MAX}	108	128		108	128		dB
INPUT CURRENT NOISE								
	0.1 Hz to 10 Hz		3			3		pA p-p
	$f = 10\text{ Hz}$		50			50		$\text{fA}/\sqrt{\text{Hz}}$
INPUT VOLTAGE NOISE								
	0.1 Hz to 10 Hz		0.5		0.5	1.0		$\mu\text{V p-p}$
	$f = 10\text{ Hz}$		17		17			$\text{nV}/\sqrt{\text{Hz}}$
	$f = 1\text{ kHz}$		15	22	15	22		$\text{nV}/\sqrt{\text{Hz}}$
OPEN-LOOP GAIN								
	$V_O = \pm 12\text{ V}$		200	2000		400	2000	V/mV
	$R_{LOAD} = 10\text{ k}\Omega$							V/mV
	T_{MIN} to T_{MAX}		150	1500		300	1500	V/mV
	$V_O = \pm 10\text{ V}$							V/mV
	$R_{LOAD} = 2\text{ k}\Omega$		200	1000		300	1000	V/mV
	T_{MIN} to T_{MAX}		150	1000		200	1000	V/mV
OUTPUT CHARACTERISTICS								
Voltage Swing	$R_{LOAD} = 10\text{ k}\Omega$	± 13	± 14		± 13	± 14		V
	T_{MIN} to T_{MAX}	± 13	± 14		± 13	± 14		V
Current Capacitive Load Drive Capability	Short Circuit		± 15			± 15		mA
	Gain = +1		10,000			10,000		pF

Parameter	Conditions	AD706J			AD706K			Units
		Min	Typ	Max	Min	Typ	Max	
POWER SUPPLY								
Rated Performance			±15			±15		V
Operating Range		±2.0		±18	±2.0		±18	V
Quiescent Current, Total	T _{MIN} to T _{MAX}		0.75	1.2		0.75	1.2	mA
				0.8	1.4		0.8	1.4
TRANSISTOR COUNT	# of Transistors	90			90			

NOTES

¹Bias current specifications are guaranteed maximum at either input.

²Input bias current match is the difference between corresponding inputs (I_B of -IN of Amplifier #1 minus I_B of -IN of Amplifier #2).

CMRR match is the difference between $\frac{\Delta V_{OS} \#1}{\Delta V_{CM}}$ for amplifier #1 and $\frac{\Delta V_{OS} \#2}{\Delta V_{CM}}$ for amplifier #2 expressed in dB.

PSRR match is the difference between $\frac{\Delta V_{OS} \#1}{\Delta V_{SUPPLY}}$ for amplifier #1 and $\frac{\Delta V_{OS} \#2}{\Delta V_{SUPPLY}}$ for amplifier #2 expressed in dB.

All min and max specifications are guaranteed.

Specifications subject to change without notice.

ABSOLUTE MAXIMUM RATINGS¹

Supply Voltage	±18 V
Internal Power Dissipation (Total: Both Amplifiers) ²	650 mW
Input Voltage	±V _S
Differential Input Voltage ³	+0.7 Volts
Output Short Circuit Duration	Indefinite
Storage Temperature Range (N, R)	-65°C to +125°C
Operating Temperature Range	
AD706J/K	0°C to +70°C
Lead Temperature (Soldering 10 secs)	+300°C

NOTES

¹Stresses above those listed under Absolute Maximum Ratings may cause permanent damage to the device. This is a stress rating only; functional operation of the device at these or any other conditions above those indicated in the operational section of this specification is not implied. Exposure to absolute maximum rating conditions for extended periods may affect device reliability.

²Specification is for device in free air:

8-Lead Plastic Package: θ_{JA} = 100°C/Watt

8-Lead Small Outline Package: θ_{JA} = 155°C/Watt

³The input pins of this amplifier are protected by back-to-back diodes. If the differential voltage exceeds ±0.7 volts, external series protection resistors should be added to limit the input current to less than 25 mA.

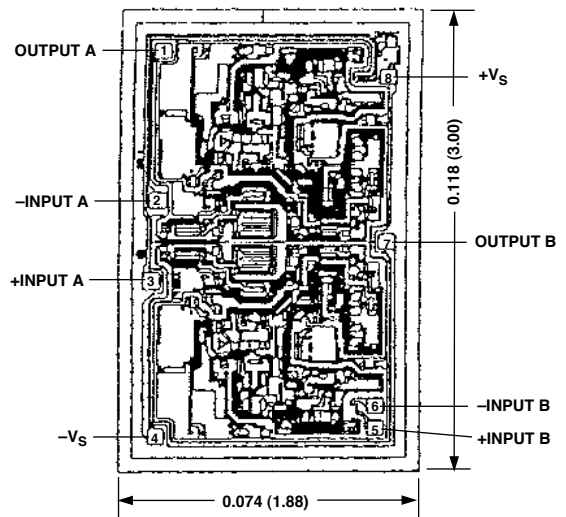
ORDERING GUIDE

Model	Temperature Range	Description	Package Option*
AD706JN	0°C to +70°C	Plastic DIP	N-8
AD706KN	0°C to +70°C	Plastic DIP	N-8
AD706JR	0°C to +70°C	SOIC	RN-8
AD706JR-REEL	0°C to +70°C	Tape and Reel	
AD706AR	-40°C to +85°C	SOIC	RN-8
AD706AR-REEL	-40°C to +85°C	Tape and Reel	

*N = Plastic DIP; RN = SOIC Package.

METALIZATION PHOTOGRAPH

Dimensions shown in inches and (mm).
Contact factory for latest dimensions.



CAUTION

ESD (electrostatic discharge) sensitive device. Electrostatic charges as high as 4000 V readily accumulate on the human body and test equipment and can discharge without detection. Although the AD706 features proprietary ESD protection circuitry, permanent damage may occur on devices subjected to high energy electrostatic discharges. Therefore, proper ESD precautions are recommended to avoid performance degradation or loss of functionality.



AD706—Typical Performance Characteristics (@ +25°C, $V_S = \pm 15$ V, unless otherwise noted)

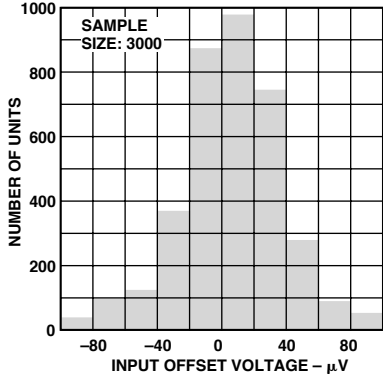


Figure 2. Typical Distribution of Input Offset Voltage

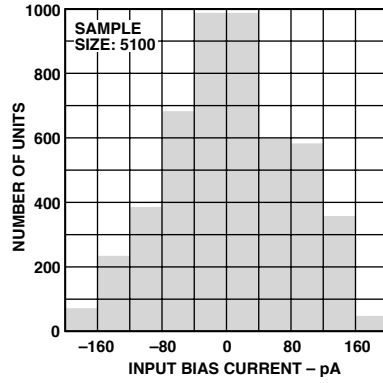


Figure 3. Typical Distribution of Input Bias Current

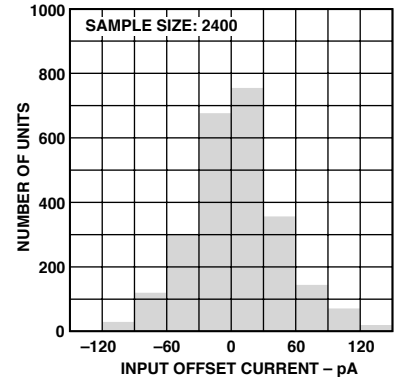


Figure 4. Typical Distribution of Input Offset Current

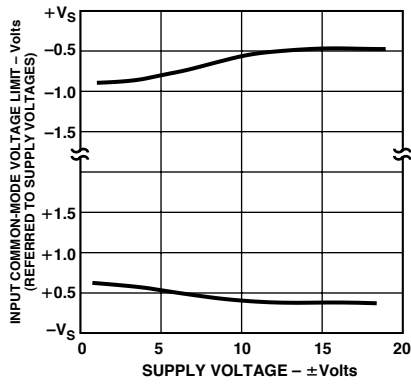


Figure 5. Input Common-Mode Voltage Range vs. Supply Voltage

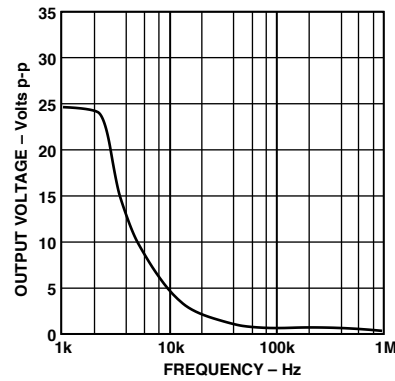


Figure 6. Large Signal Frequency Response

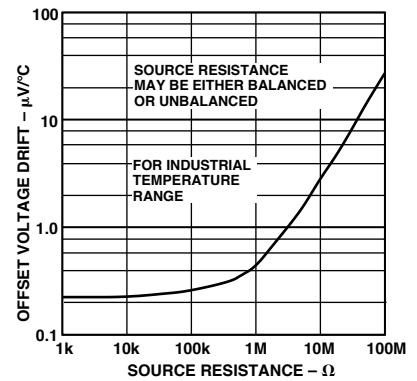


Figure 7. Offset Voltage Drift vs. Source Resistance

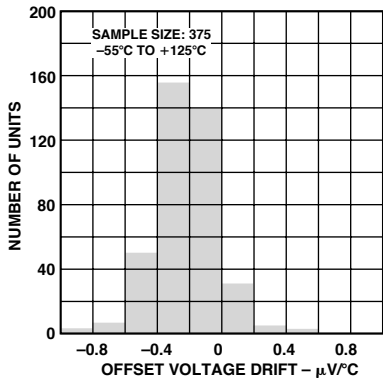


Figure 8. Typical Distribution of Offset Voltage Drift

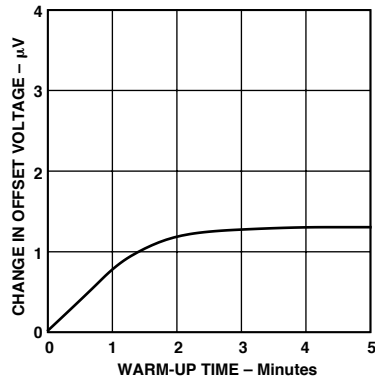


Figure 9. Change in Input Offset Voltage vs. Warm-Up Time

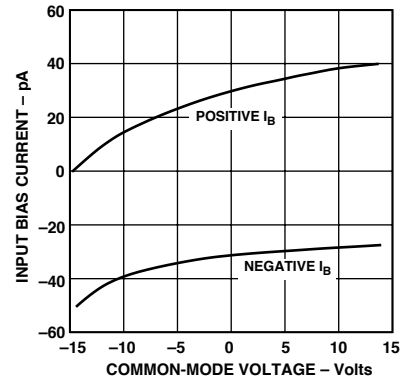


Figure 10. Input Bias Current vs. Common-Mode Voltage

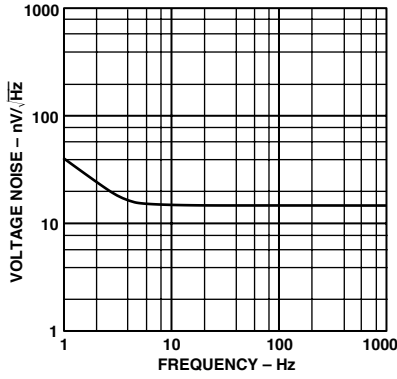


Figure 11. Input Noise Voltage Spectral Density

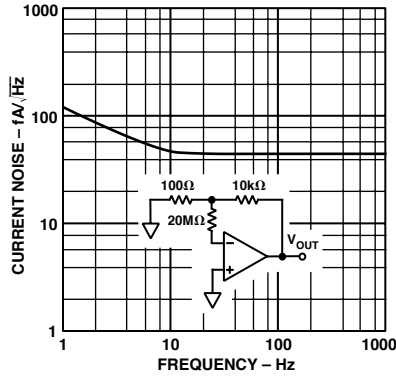


Figure 12. Input Noise Current Spectral Density

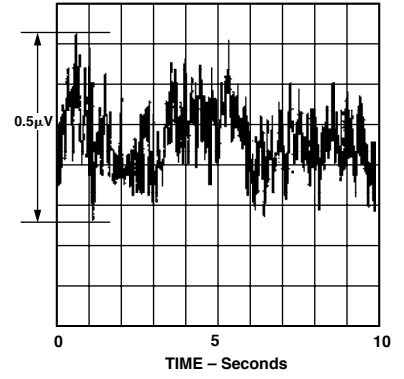


Figure 13. 0.1 Hz to 10 Hz Noise Voltage

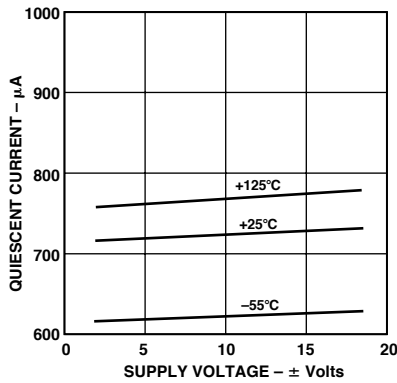


Figure 14. Quiescent Supply Current vs. Supply Voltage

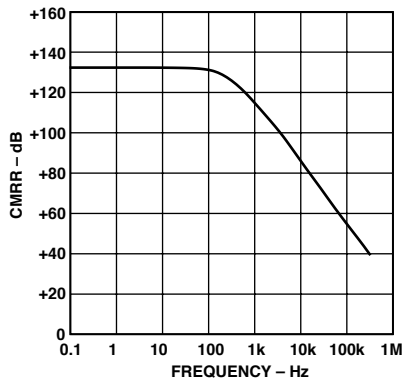


Figure 15. Common-Mode Rejection Ratio vs. Frequency

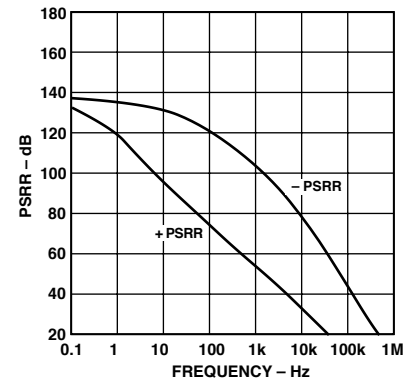


Figure 16. Power Supply Rejection Ratio vs. Frequency

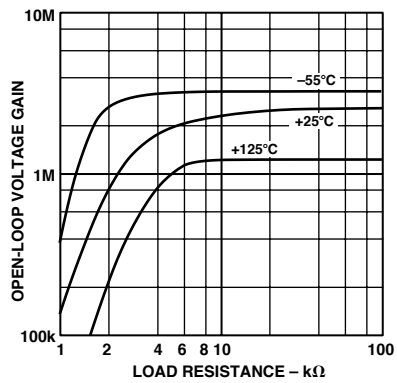


Figure 17. Open-Loop Gain vs. Load Resistance vs. Load Resistance

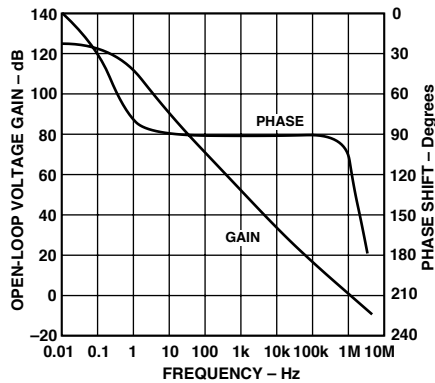


Figure 18. Open-Loop Gain and Phase Shift vs. Frequency

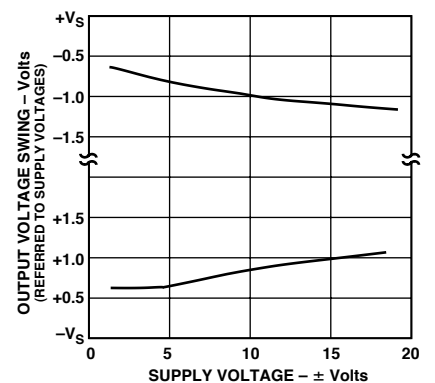


Figure 19. Output Voltage Swing vs. Supply Voltage

AD706

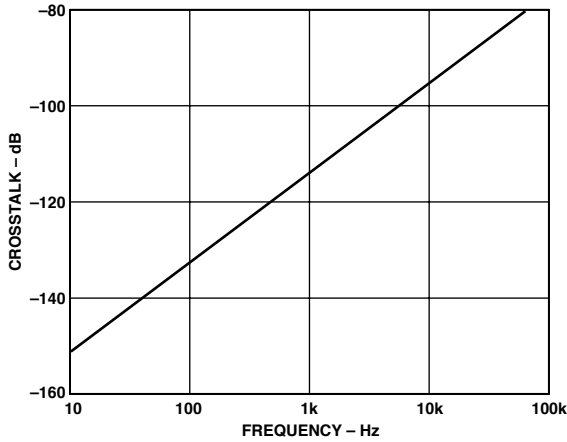


Figure 20a. Crosstalk vs. Frequency

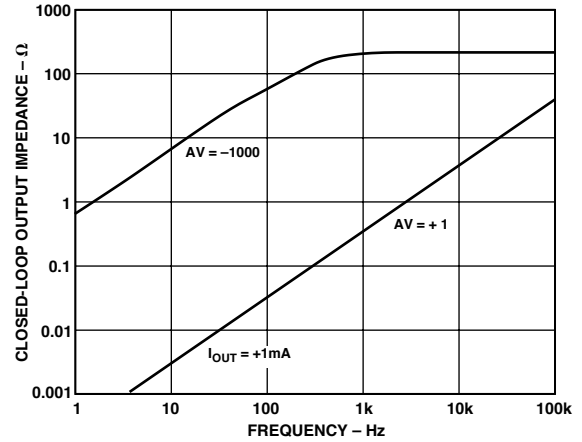


Figure 21. Magnitude of Closed-Loop Output Impedance vs. Frequency

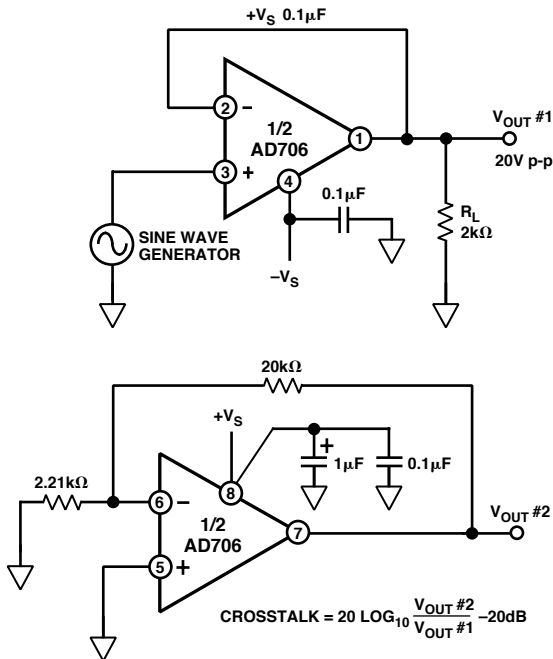


Figure 20b. Crosstalk Test Circuit

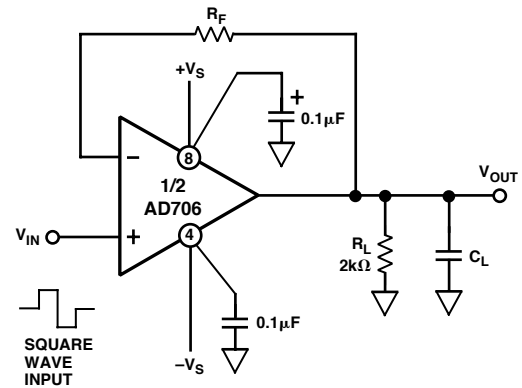


Figure 22a. Unity Gain Follower (For Large Signal Applications, Resistor R_F Limits the Current Through the Input Protection Diodes)

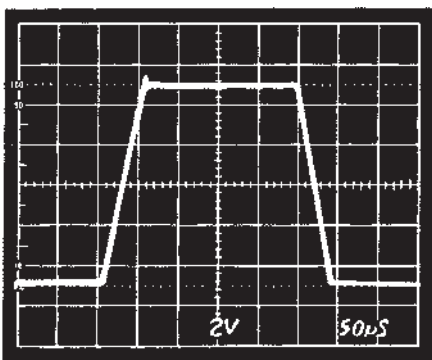


Figure 22b. Unity Gain Follower Large Signal Pulse Response, $R_F = 10 \text{ k}\Omega$, $C_L = 1,000 \text{ pF}$

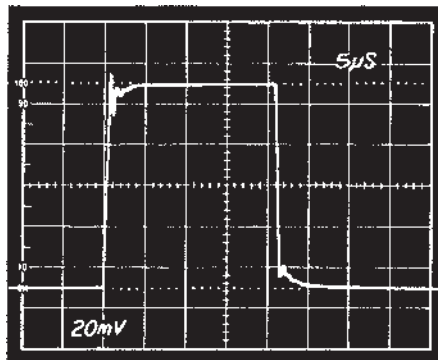


Figure 22c. Unity Gain Follower Small Signal Pulse Response, $R_F = 0 \Omega$, $C_L = 100 \text{ pF}$

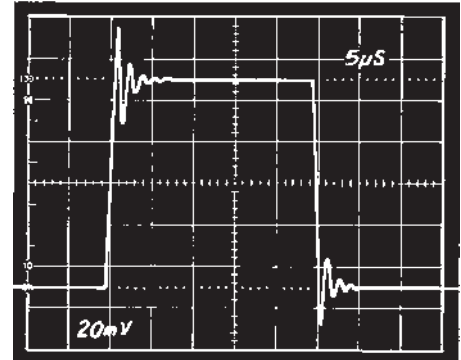


Figure 22d. Unity Gain Follower Small Signal Pulse Response, $R_F = 0 \Omega$, $C_L = 1000 \text{ pF}$

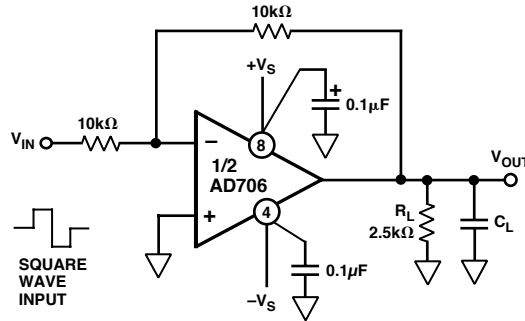


Figure 23a. Unity Gain Inverter Connection

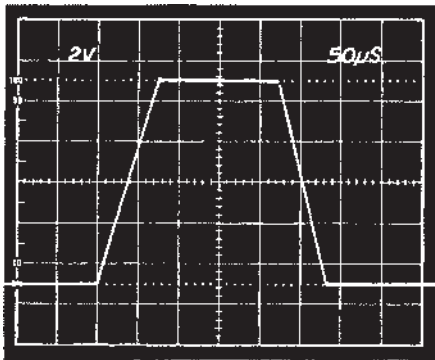


Figure 23b. Unity Gain Inverter Large Signal Pulse Response, $C_L = 1,000 \text{ pF}$

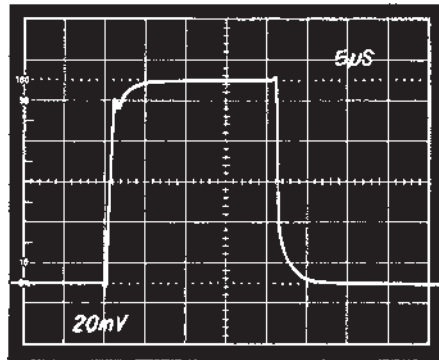


Figure 23c. Unity Gain Inverter Small Signal Pulse Response, $C_L = 100 \text{ pF}$

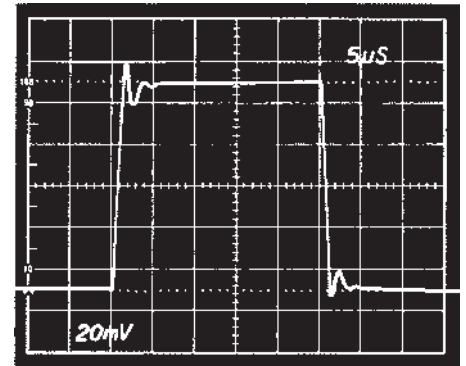


Figure 23d. Unity Gain Inverter Small Signal Pulse Response, $C_L = 1000 \text{ pF}$

Figure 24 shows an in-amp circuit that has the obvious advantage of requiring only one AD706, rather than three op amps, with subsequent savings in cost and power consumption. The transfer function of this circuit (without R_G) is:

$$V_{OUT} = (V_{IN\#1} - V_{IN\#2}) \left(1 + \frac{R_4}{R_3} \right)$$

for $R_1 = R_4$ and $R_2 = R_3$

Input resistance is high, thus permitting the signal source to have an unbalanced output impedance.

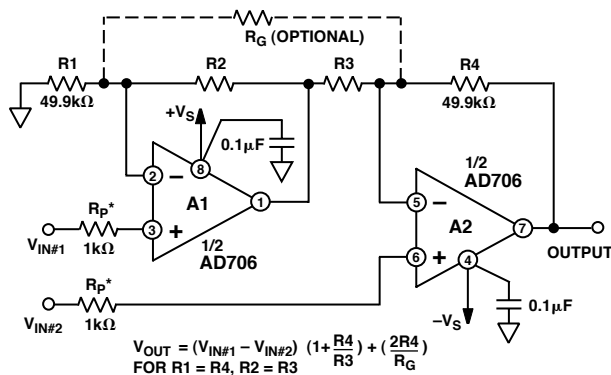
increases with gain, once initial trimming is accomplished—but CMR is still dependent upon the ratio matching of Resistors R_1 through R_4 . Resistor values for this circuit, using the optional gain resistor, R_G , can be calculated using:

$$R_1 = R_4 = 49.9 \text{ k}\Omega$$

$$R_2 = R_3 = \frac{49.9 \text{ k}\Omega}{0.9G - 1}$$

$$R_G = \frac{99.8 \text{ k}\Omega}{0.06G}$$

where $G = \text{Desired Circuit Gain}$



*OPTIONAL INPUT PROTECTION RESISTOR FOR GAINS GREATER THAN 100 OR INPUT VOLTAGES EXCEEDING THE SUPPLY VOLTAGE.

Figure 24. A Two Op-Amp Instrumentation Amplifier

Furthermore, the circuit gain may be fine trimmed using an optional trim resistor, R_G . Like the three op-amp circuit, CMR

Table I provides practical 1% resistance values. (Note that without resistor R_G , R_2 and $R_3 = 49.9 \text{ k}\Omega / (G - 1)$.)

Table I. Operating Gains of Amplifiers A1 and A2 and Practical 1% Resistor Values for the Circuit of Figure 24

Circuit Gain	Gain of A1	Gain of A2	R2, R3	R1, R4
1.10	11.00	1.10	499 kΩ	49.9 kΩ
1.33	4.01	1.33	150 kΩ	49.9 kΩ
1.50	3.00	1.50	100 kΩ	49.9 kΩ
2.00	2.00	2.00	49.9 kΩ	49.9 kΩ
10.1	1.11	10.10	5.49 kΩ	49.9 kΩ
101.0	1.01	101.0	499 Ω	49.9 kΩ
1001	1.001	1001	49.9 Ω	49.9 kΩ

For a much more comprehensive discussion of in-amp applications, refer to the *Instrumentation Amplifier Applications Guide*—available free from Analog Devices, Inc.

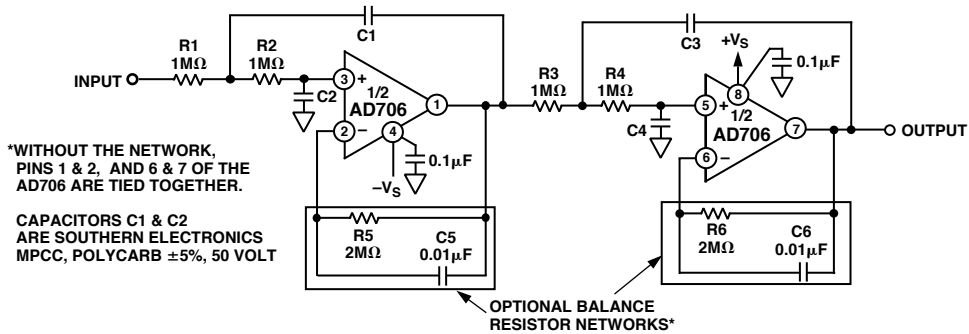


Figure 25. A 1 Hz, 4-Pole Active Filter

A 1 Hz, 4-Pole, Active Filter

Figure 25 shows the AD706 in an active filter application. An important characteristic of the AD706 is that both the input bias current, input offset current and their drift remain low over most of the op amp's rated temperature range. Therefore, for most applications, there is no need to use the normal balancing resistor. Adding the balancing resistor enhances performance at high temperatures, as shown by Figure 26.

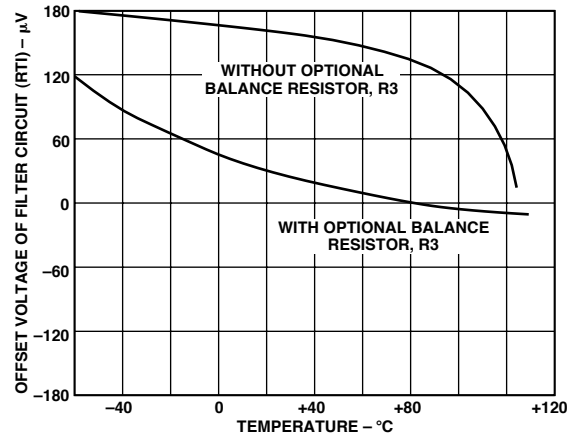


Figure 26. V_{OS} vs. Temperature Performance of the 1 Hz Filter

Table II. 1 Hz, 4-Pole, Low Pass Filter Recommended Component Values

Desired Low Pass Response	Section 1 Frequency (Hz)	Q	Section 2 Frequency (Hz)	Q	C1 (μF)	C2 (μF)	C3 (μF)	C4 (μF)
Bessel	1.43	0.522	1.60	0.806	0.116	0.107	0.160	0.0616
Butterworth	1.00	0.541	1.00	1.31	0.172	0.147	0.416	0.0609
0.1 dB Chebychev	0.648	0.619	0.948	2.18	0.304	0.198	0.733	0.0385
0.2 dB Chebychev	0.603	0.646	0.941	2.44	0.341	0.204	0.823	0.0347
0.5 dB Chebychev	0.540	0.705	0.932	2.94	0.416	0.209	1.00	0.0290
1.0 dB Chebychev	0.492	0.785	0.925	3.56	0.508	0.206	1.23	0.0242

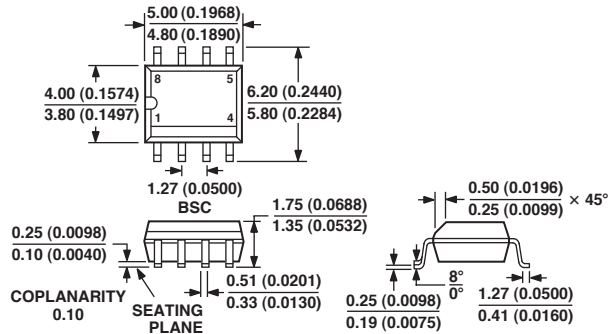
NOTE

Specified Values are for a -3 dB point of 1.0 Hz. For other frequencies simply scale capacitors C1 through C4 directly, i.e.: for 3 Hz Bessel response, C1 = 0.0387 μF, C2 = 0.0357 μF, C3 = 0.0533 μF, C4 = 0.0205 μF.

OUTLINE DIMENSIONS

8-Lead Standard Small Outline Package [SOIC]
Narrow Body
(RN-8)

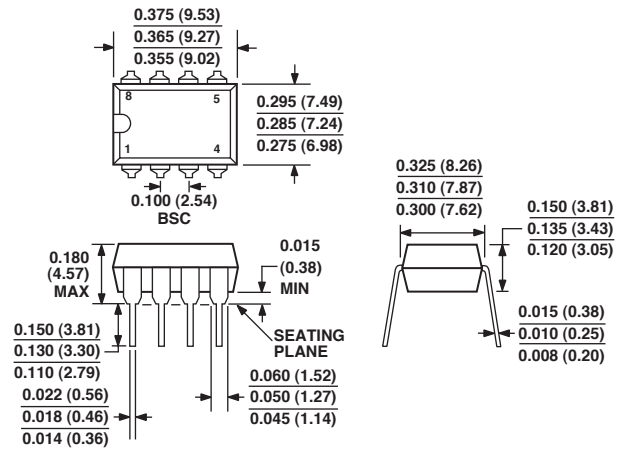
Dimensions shown in millimeters and (inches)



COMPLIANT TO JEDEC STANDARDS MS-012AA
CONTROLLING DIMENSIONS ARE IN MILLIMETERS; INCH DIMENSIONS
(IN PARENTHESES) ARE ROUNDED-OFF MILLIMETER EQUIVALENTS FOR
REFERENCE ONLY AND ARE NOT APPROPRIATE FOR USE IN DESIGN

8-Lead Plastic Dual-in-Line Package [PDIP]
(N-8)

Dimensions shown in inches and (millimeters).



COMPLIANT TO JEDEC STANDARDS MO-095AA
CONTROLLING DIMENSIONS ARE IN INCHES; MILLIMETERS DIMENSIONS
(IN PARENTHESES)

AD706

Revision History

Location	Page
10/02--Data Sheet changed from REV. C to REV. D	
Deleted 8-Lead CerDIP (Q-8) Package	Universal
Edits to FEATURES	1
Edits to PRODUCT DESCRIPTION	1
Edits to SPECIFICATIONS	2
Edits to ABSOLUTE MAXIMUM RATINGS	3
Edits to ORDERING GUIDE	3
Updated OUTLINE DIMENSIONS	15

