



MASTER LEDspot MV

MASTER LEDspotMV D 5.5-50W GU10 840 40D

Delivering a warm, halogen-like accent beam, MASTER LEDspot MV is a perfect fit for spot lighting (track, corridors, lift lobbies, display cases and cabinets) in the hospitality industry. It is particularly suitable for public areas where the light is on 24/7, such as lobbies, corridors, stairwells. MASTER LEDspot MV delivers huge energy savings and minimises maintenance cost without any compromise on brightness, enabling hospitality owners to achieve a return on their investment within one year. These LEDspots are compatible with most existing fixtures with a GU10 holder and designed as a retrofit replacement for halogen or incandescent spots. The dimmable versions drive further efficiencies, while helping to create the desired atmosphere. For environments where the right atmosphere needs to be created (e.g. bars and restaurants), the “DimTone” feature could be useful. This is a LED feature that creates a warmer tone once light is dimmed down to lower intensities.

Product data

• General Characteristics

| | |
|------------------------|-------------------|
| Cap-Base | GU10 |
| Bulb | PAR16 [PAR 2inch] |
| Rated Lifetime (hours) | 40000 hr |
| Rated Lifetime (years) | 25 an |
| Nominal Lifetime hours | 40000 hr |

• Light Technical Characteristics

| | |
|-------------------------------|--------------------|
| Colour Code | 840 |
| Colour Designation | Cool White |
| Beam Angle | 40 D |
| Correlated Colour Temperature | 4000 K |
| Luminous Flux | 415 Lm |
| Luminous Intensity | 850 cd |
| Colour rendering index | 80 |
| Colour Temperature | 4000 K [CCT 4000K] |
| Rated Luminous Flux | 415 Lm |
| LLMF - end nominal lifetime | 40000 % |
| Colour consistency | 6 steps |
| Rated Beam Angle | 40 D |
| Luminous flux in 90° cone | 385 Lm |

• Electrical Characteristics

| | |
|-------------------|-----------|
| Wattage | 5.5 W |
| Wattage Technical | 5.5 W |
| Voltage | 220-240 V |
| Line Frequency | 50-60 Hz |
| Power Factor | 0.6 - |

| | |
|------------------------------|-------------|
| Lamp Current mA | 36 mA |
| Dimmable | Yes |
| Wattage Equivalent | 50 W |
| Rated Wattage | 5.5 W |
| Starting Time | 0.1 (max) s |
| Suitable for accent lighting | Yes |

• Temperature Characteristics

| | |
|----------------|------|
| T-case maximum | 95 C |
|----------------|------|

• Environmental characteristics

| | |
|-------------------------------|----|
| Energy Efficiency Label (EEL) | A+ |
|-------------------------------|----|

• Measuring Conditions

| | |
|-----------------|--------|
| Switching cycle | 50000x |
|-----------------|--------|

• Product Dimensions

| | |
|------------------|-------|
| Overall Length C | 55 mm |
| Diameter D | 50 mm |

• Product Data

| | |
|-----------------------|---|
| Order code | 697282 00 |
| Full product code | 871829169728200 |
| Full product name | MASTER LEDspotMV D 5.5-50W GU10 840 40D |
| Order product name | MAS LEDspotMV D 5.5-50W GU10 840 40D |
| Pieces per pack | 1 |
| Packing configuration | 10 |
| Packs per outerbox | 10 |



PHILIPS

MASTER LEDspot MV

Bar code on pack - EAN1 8718291697282
Bar code on outerbox - EAN3 8718291697299

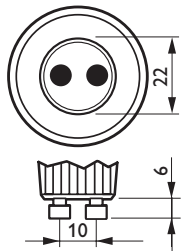
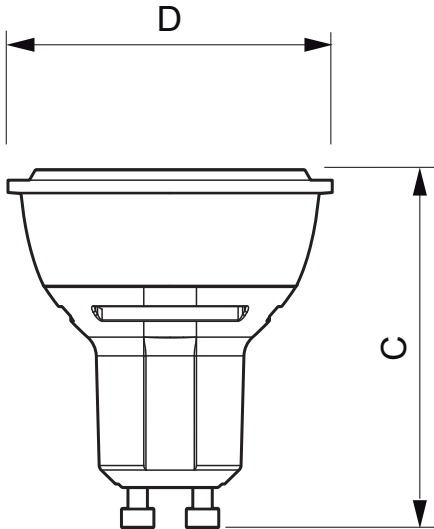
Logistic code(s) - 12NC 929000257302
Net weight per piece 0.038 kg

Warnings and Safety

- Operating temperature range is between -20° C and 45° C ambient

- Only to apply in dry or damp locations and most of open fixtures with lamp-holders that offer sufficient space (10 mm free air space)
- Not intended for use with emergency light fixtures or exit lights

Dimensional drawing

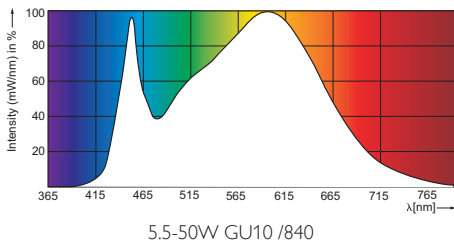


GU10

MASTER LEDspotMV D 5.5-50W GU10 840 40D

| Product | C (Norm) | C1 (Max) | D (Norm) | D1 (Norm) |
|----------------------------|----------|----------|----------|-----------|
| LED D 5.5-50W GU10 840 40D | 55 | - | 50 | - |

Photometric data





© 2013 Koninklijke Philips N.V. (Royal Philips)
All rights reserved.

Specifications are subject to change without notice. Trademarks are the property of Koninklijke Philips N.V. (Royal Philips) or their respective owners.

www.philips.com/lighting

2013, December 12
data subject to change