



MASTER LEDspot LV AR111

MASTER LEDspotLV D 10-50W 827 AR111 40D

Delivering a warm, halogen-like accent beam, MASTER LEDspot LV AR111 is an ideal retrofit solution for spot and general lighting applications in the hospitality and retail industry. It is particularly suitable for general lighting where the light is on all the time, such as creative accent lighting applications in shops, restaurants, hotels, and especially for galleries, exhibitions and museums. The robustly designed MASTER LEDspot LV AR111 offers various beam angles for a clearly defined beam spread. There is no UV or IR in the beam, making it suitable for illuminating heat-sensitive objects (food, organic materials, paintings, etc.). The patented intelligent driver enables broad compatibility with existing electromagnetic and electronic halogen transformers. MASTER LEDspot LV AR111 delivers huge energy savings and minimizes maintenance cost without any reduction in brightness.

Product data

• General Characteristics

Cap-Base	G53
Bulb	AR111
Rated Lifetime (hours)	40000 hr
Rated Lifetime (years)	25 an
Nominal Lifetime hours	40000 hr

• Light Technical Characteristics

Color Code	827
Color Designation (text)	Warm White
Beam Angle	40 D
Correlated Color Temperature	2700 K
Luminous Flux	580 Lm
Luminous Intensity	1250 cd
Color rendering index	80
Luminous Efficacy Lamp	58.00 Lm/W
Color Temperature	2700 K [CCT 2700K]
Rated Luminous Flux	580 Lm
LLMF - end nominal lifetime	70 %
Colour consistency	6 steps
Rated Beam Angle	40 D
Luminous flux in 90° cone	580 Lm

• Electrical Characteristics

Wattage	10 W
Wattage Technical	10 W

Voltage	12 V
Line Frequency	50-60 Hz
Power Factor	0.5 -
Lamp Current mA	1100 mA
Dimmable	Yes
Wattage Equivalent	50 W
Rated Wattage	10 W
Starting Time	1 (max) s
Warm-up Time to 60% Light Outp	instant full light
Suitable for accent lighting	Yes

• Temperature Characteristics

• Environmental characteristics

Energy Efficiency Label (EEL)	A
-------------------------------	---

• Measuring Conditions

Switching cycle	50000x
-----------------	--------

• Product Dimensions

Overall Length C	111 mm
Diameter D	56 mm

• Product Data

Order code	929000260802
Full product code	929000260802
Full product name	MASTER LEDspotLV D 10-50W 827 AR111 40D



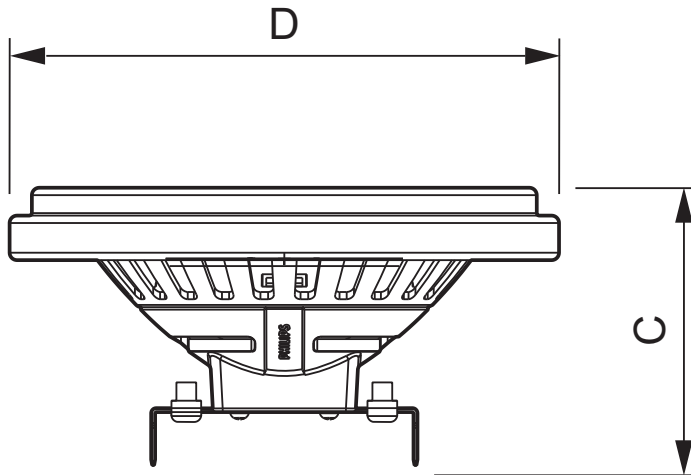
PHILIPS

MASTER LEDspot LV AR111

Order product name MAS LEDspotLV D 10-50W 827
AR111 40D
Pieces per pack 1
Packing configuration 6
Packs per outerbox 6
Bar code on pack -
EAN1 8718291718505

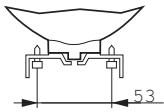
Bar code on
outerbox - EAN3 8718291718512
Logistic code(s) -
12NC 929000260802
Net weight per piece 0.120 kg

Dimensional drawing



MASTER LEDspotLV D 10-50W 827 AR111 40D

Product	C (Norm)	C1 (Max)	D (Norm)	D1 (Norm)
LED D 10-50W 827 AR111 40D	111	-	56	-



G53



© 2014 Koninklijke Philips N.V. (Royal Philips)
All rights reserved.

Specifications are subject to change without notice. Trademarks are the property of
Koninklijke Philips N.V. (Royal Philips) or their respective owners.

www.philips.com/lighting

2014, February 20
data subject to change