



MASTER LEDspot LV AR111

MASTER LEDspotLV D 10-50W 827 AR111 24D

Delivering a warm, halogen-like accent beam, MASTER LEDspot LV AR111 is an ideal retrofit solution for spot and general lighting applications in the hospitality and retail industry. It is particularly suitable for general lighting where the light is on all the time, such as creative accent lighting applications in shops, restaurants, hotels, and especially for galleries, exhibitions and museums. The robustly designed MASTER LEDspot LV AR111 offers various beam angles for a clearly defined beam spread. There is no UV or IR in the beam, making it suitable for illuminating heat-sensitive objects (food, organic materials, paintings, etc.). The patented intelligent driver enables broad compatibility with existing electromagnetic and electronic halogen transformers. MASTER LEDspot LV AR111 delivers huge energy savings and minimises maintenance cost without any reduction in brightness.

Product data

• General Characteristics

Cap-Base	G53
Bulb	AR111
Rated Lifetime (hours)	40000 hr
Rated Lifetime (years)	25 an
Nominal Lifetime hours	40000 hr

• Light Technical Characteristics

Colour Code	827
Colour Designation	Warm White
Beam Angle	24 D
Correlated Colour Temperature	2700 K
Luminous Flux	610 Lm
Luminous Intensity	3620 cd
Colour rendering index	80
Luminous Efficacy Lamp	61.00 Lm/W
Colour Temperature	2700 K [CCT 2700K]
Rated Luminous Flux	610 Lm
LLMF - end nominal lifetime	70 %
Colour consistency	6 steps
Rated Beam Angle	24 D
Luminous flux in 90° cone	610 Lm

• Electrical Characteristics

Wattage	10 W
Wattage Technical	10 W
Voltage	12 V

Line Frequency	50-60 Hz
Power Factor	0.5 -
Lamp Current mA	1100 mA
Dimmable	Yes
Wattage Equivalent	50 W
Rated Wattage	10 W
Starting Time	1 (max) s
Warm-up Time to 60% Light Outp	instant full light
Suitable for accent lighting	Yes

• Temperature Characteristics

• Environmental characteristics

Energy Efficiency Label (EEL)	A
-------------------------------	---

• Measuring Conditions

Switching cycle	50000x
-----------------	--------

• Product Dimensions

Overall Length C	111 mm
Diameter D	56 mm

• Product Data

Order code	718468 00
Full product code	871829171846800
Full product name	MASTER LEDspotLV D 10-50W 827 AR111 24D
Order product name	MAS LEDspotLV D 10-50W 827 AR111 24D



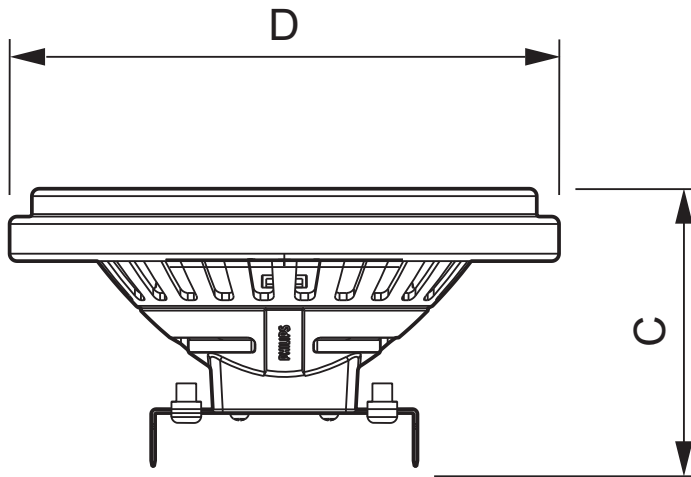
PHILIPS

MASTER LEDspot LV AR111

Pieces per pack 1
Packing configuration 6
Packs per outerbox 6
Bar code on pack - EAN1 8718291718468

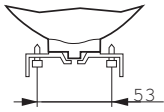
Bar code on outerbox - EAN3 8718291718475
Logistic code(s) - 12NC 929000260602
Net weight per piece 0.120 kg

Dimensional drawing



MASTER LEDspotLV D 10-50W 827 AR111 24D

Product	C (Norm)	C1 (Max)	D (Norm)	D1 (Norm)
LED D 10-50W 827 AR111 24D	111	-	56	-



G53



© 2014 Koninklijke Philips N.V. (Royal Philips)
All rights reserved.

Specifications are subject to change without notice. Trademarks are the property of Koninklijke Philips N.V. (Royal Philips) or their respective owners.

www.philips.com/lighting

2014, February 21
data subject to change