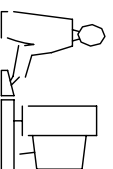
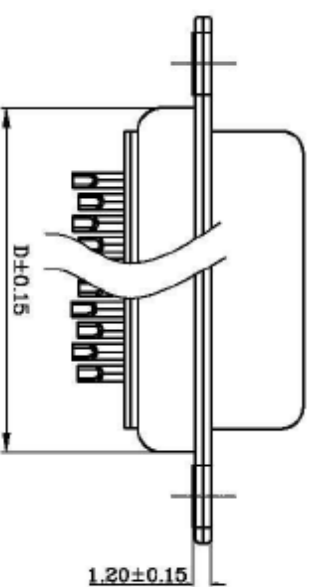
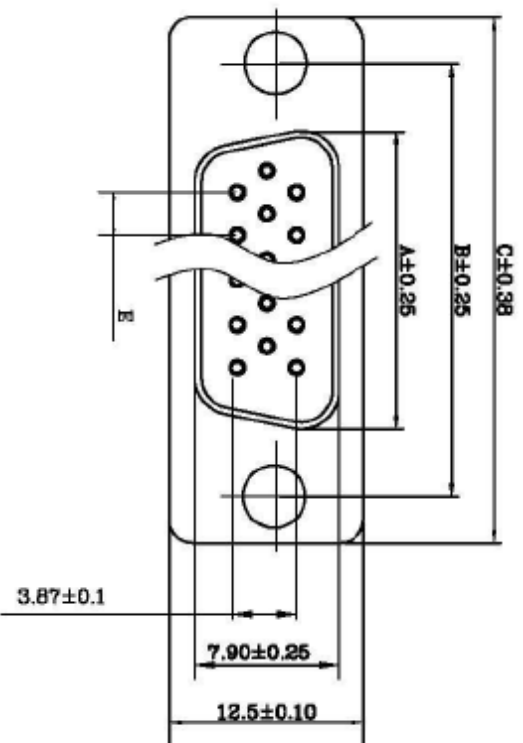


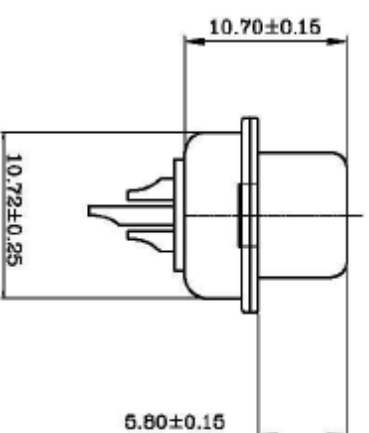
THIS IS A C.A.D. GENERATED DRAWING
DO NOT MAKE MANUAL REVISIONS TO MASTER.



* UNLESS OTHERWISE SPECIFIED TOLERANCES
ON DECIMAL IS: ANGLE ± 1°
.X ± 0.20
.XX ± 0.15
.XXX ± 0.05



Order Codes:	Socket Connector	Stamped & Formed
15-WAY	2101-0300-11	MHHDS-15-F-T-B-S
26-WAY	2101-0300-12	MHHDS-26-F-T-B-S
44-WAY	2101-0300-13	MHHDS-44-F-T-B-S
62-WAY	2101-0300-14	MHHDS-62-F-T-B-S



POS.	A	B	C	D	E
09	16.33	24.99	30.80	19.28	2.29
15	24.85	33.32	39.10	27.75	2.29
25	38.38	47.04	53.00	41.30	2.29
37	54.86	63.50	69.30	57.40	2.41

Remark:

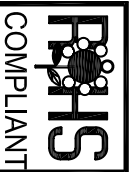
1.MATERIAL:

Plastic:PBT+30% G.F (UL94V-0) BLACK

Spcc shell:Spcc front shell is tin plated back shell is tin plated

THESE DRAWINGS AND SPECIFICATIONS ARE THE PROPERTY OF MH CONNECTORS LTD. AND SHALL NOT BE REPRODUCED, COPIED OR USED AS THE BASIS FOR THE MANUFACTURE OR SALE OF APPARATUS WITHOUT WRITTEN PERMISSION.

DRAWN	DATE
Johnny	01-04-13
APPROVED	DATE



THIS SERIES FULLY CONFORMS TO THE
EUROPEAN UNION DIRECTIVES 2002/95/EC
AND 2002/96/EC FOR ROHS COMPLIANCY.



MH CONNECTORS LTD.

SCALE	SHEET	OF	REV:
1:1	1	DF 1	2
DRAWING No		MHHDS-XX-F-T-B-S	