

One Charger for Everything & Everywhere



mCube90

All-in-One Universal Power Adapter with USB Port



2008 iF Design Award winner
2008 CES Innovation Award honoree



All-in-One

Carry one single adapter to power up your notebook and USB devices at the same time.



Detachable Auto/Air Adapter

Detach the world's smallest Auto/Air adapter, and carry it with you for charging in cars and airplanes.



Great Compatibility

Charge most popular brands of laptops with power requirement between 18-21 Volts, 70 Watt continuous, and up to 17" in display dimension: Acer, ASUS, Compaq, Dell, Fujitsu, Gateway, HP, IBM, Lenovo, Sony, Toshiba, and more.....



USB Charging

The mCube90 not only charges your laptops, but also your USB portable devices, making sure that nothing is left behind when it comes to your power needs.



Four Types of Built-in Protection

Never worry about damaging your laptop, mobile device, or the mCube90. The four types of built-in protection ensure everything is kept out of harm's way.



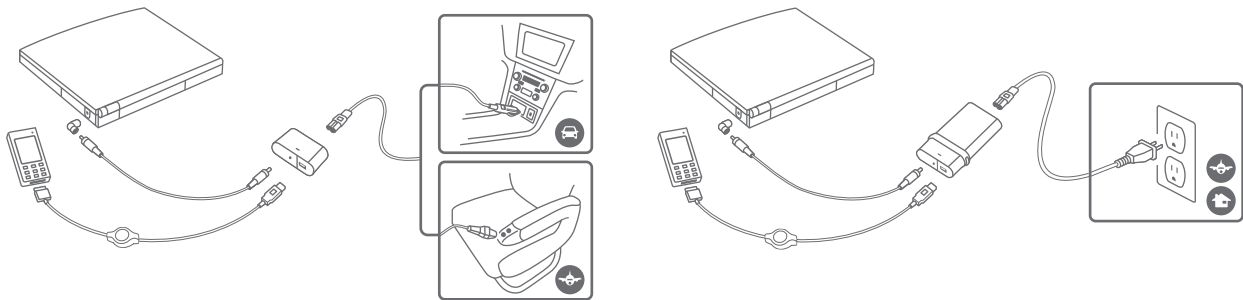
Energy Saving

With extremely high power efficiency and Energy Star certification, you can save your energy costs and reduce your carbon footprint.

mCube90

Smallest All-in-One Universal Power Adapter with USB Port

Configuration



● Innergie Retractable Cable Sold Separately

● Innergie Retractable Cable Sold Separately

Specification

AC input power	Input	100-240Volt AC / 1.5A 50-60Hz
	Output	Max combined output power: 65W; peak power 90W
		Notebook: 19.5Volt DC / 3.3 A USB: 5Volt DC / 1A
DC input power	Input	11Volt DC - 16Volt DC / 8A
	Output	Max combined output power: 70W; peak power 90W
		Notebook: 19.5 Volt DC / 3.3A USB: 5Volt DC / 1A
Physical Specification	Dimension	128.8 mm (5.07")(L) x 70.0 mm (2.76")(W) x 23.6 mm (0.93")(H)
	Weight (Exclude cables)	263g (9.28oz.)
	Wall (AC) input cable	1500mm (59.06")
	Car (DC) input cable	590mm (23.23")
	Airplane (DC) input cable	550mm (21.65")
	Notebook (DC) output cable	1500mm (59.06")
Environmental Specification	Operating temperature	0°C to +35°C (32°F – 95°F)
	Storage temperature	-20°C to +70°C
Built-in safety	Over current protection (OCP), over voltage protection (OVP), over temperature protection, output overload protection	



RTCA - DO - 160E SEC 15, 21 For Use Onboard Aircraft

All right reserved. Innergie is under trademark registration process. All other trademarks are properties of their respective owners. The product is protected by US patent 5,990,776; 6,967,553; 6,980,074. Other patents are pending.

Innergie
power your life