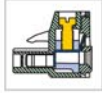


# MC 200-E1

Pluggable terminal block



Pitch: 5.00mm(0.197inch)

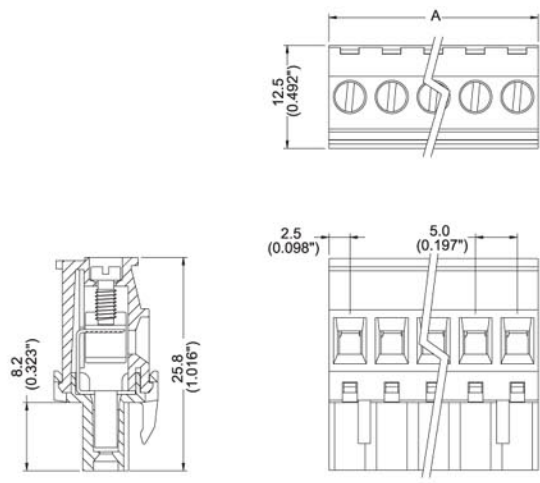


## SPECIFICATIONS

			CUL	VDE
負載電壓	Rated Voltage	Bemessungsspannung	AC 300V	AC 380V
負載電流	Rated Current	Bemessungsstrom	16A	16A
電線線徑	Wire Size	Leitergrößen	24~12AWG	0.2~4mm <sup>2</sup>
塑膠本體	Housing Material	Isolierstofftyp	Polyamide66(UL94V-0)	
押線圈	Cage Clamp	Klemmkörper	Brass, Ni plated	
導電夾片	Contact	Kontakt	Phosphor bronze, Tin plated	
螺絲	Screw Size	Schraubengewinde	M2.6, steel, Zinc plated	
操作溫度	Operating Temperature	Umgebungstemperatur	-40°C to + 105°C	
扭力	Torque	Anzugsmoment	7 lb-inch	
UL File No.	E167040			

TABLE

Item No.	A(mm)	A(inch)
MC200-E102	10.0	0.394
MC200-E103	15.0	0.591
MC200-E104	20.0	0.787
MC200-E105	25.0	0.984
MC200-E106	30.0	1.181
MC200-E107	35.0	1.378
MC200-E108	40.0	1.575
MC200-E109	45.0	1.772
MC200-E110	50.0	1.969
MC200-E111	55.0	2.165
MC200-E112	60.0	2.362
MC200-E113	65.0	2.559
MC200-E114	70.0	2.756
MC200-E115	75.0	2.953
MC200-E116	80.0	3.150
MC200-E117	85.0	3.346
MC200-E118	90.0	3.543
MC200-E119	95.0	3.740
MC200-E120	100.0	3.937
MC200-E121	105.0	4.134
MC200-E122	110.0	4.331
MC200-E123	115.0	4.528
MC200-E124	120.0	4.724



Note:  
Screw Plating:Changes are available upon request