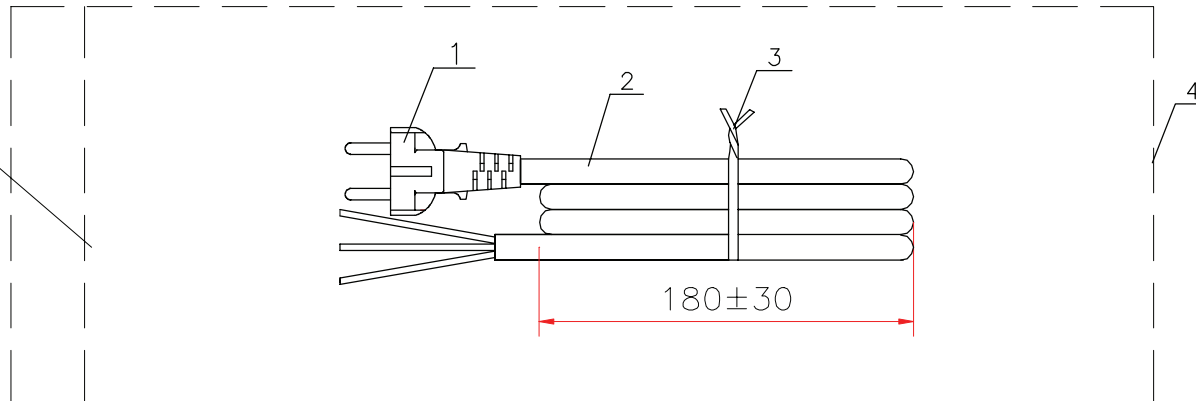


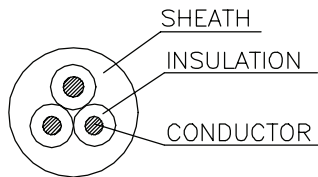
SELF-GIVEN



1. PVC MOLDED PLUG: PHP-206S (YJ606)
2. FLEXIBLE CORD: H05W-F 3G0.75mm² (YJ606)
3. ELLIPTIC TIE (WHITE)
4. PE BAG: 330*250*0.08 (CUSTOMER SUPPORT)

NOTE: ALL MATERIALS ARE RoHS COMPLIANCE

CORD SECTION:



CORD MARKING:

PHINO Cabo H05W-F 3G0.75mm² <VDE> KEMA-KEUR IEMMEQU +++++ <RoHS>
 CEBC (S) (N) (D) (FI) SABS SANS 60227-5 60227 IEC 53 300/500V CE Cn -LF-
 ROLL NO.: 1,2,3... CHINA FACTORY

P/NO	4352623	TITLE	POWER SUPPLY CORD PHP-206S		
		INTERNAL NO.	P206-XXXX-1		
DESIGNED	PENG LI 2012.06.06	UNIT	MM	SCALE	FREE
CHECKED		MATERIAL			
APPROVED		PROJECTION			

Maxxtro®